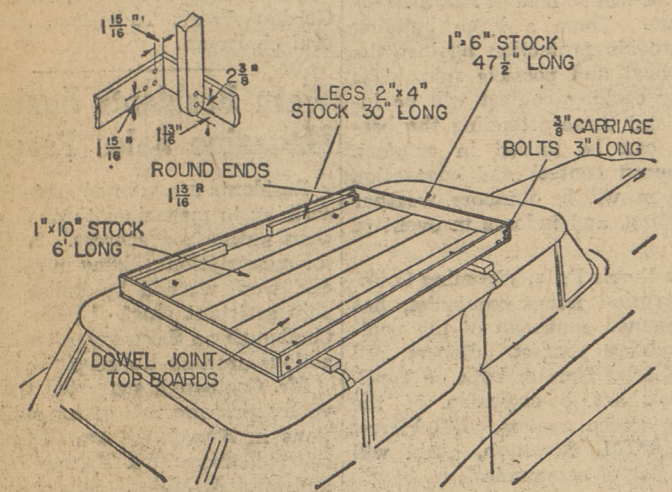


HERE'S HOW... MAKE A LUGGAGE RACK-CAMP TABLE

It is also a luggage rack that serves also as a camp or picnic table. The table-top is five 6-foot lengths of 1 by 10-inch lumber, doweled and edge-glued to form a large panel. The sides are of 1 by 6-inch lumber, fastened to the top with glue and 2-inch No. 9, flathead wood screws, counter sunk.



Police Cover Broad Area

Running the gamut from investigating murder to directing traffic, Back Mountain police departments are constantly responsible for the welfare and safety of local inhabitants.

Seven police departments are located in the population centers of the Back Mountain in addition to the State Police.

The police departments are: Dallas Borough, Russell Honeywell, chief; Dallas Township, James Gansse, chief; Lake Township, Edgar Hughes, chief; Kingston Township, Jesse Coslett, chief; Jackson Township, Dennis Bonning, chief; Franklin Township, Byron Kester, chief; and Lehman Township, Joseph Ide, chief.

In order to maintain a continued high standard of police protection, the various police departments have organized the Back Mountain Police Association.

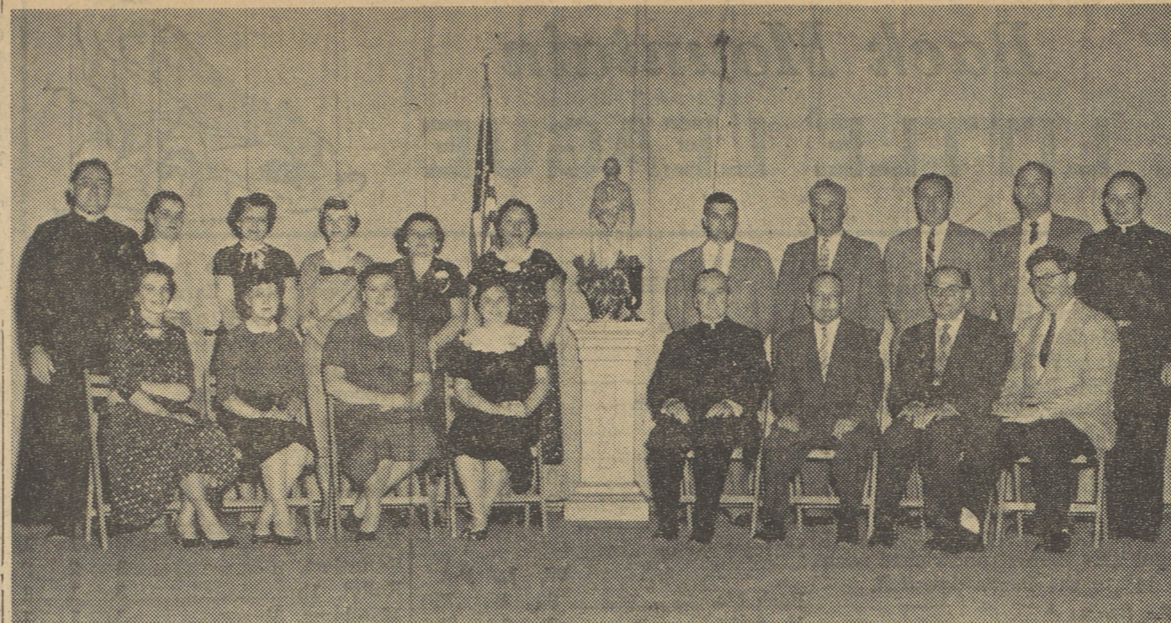
Clara Kitchen Announces Odds And Ends Workers

Mrs. Harvey Kitchen, chairman of Library Auction Odds and Ends Booth, announces her committee and her workers. Workers will be assigned three-four shifts.

On the committee are Mesdames Alfred Root, Donald D. Smith, Clinton Myers, Edward Gilroy, Fred Dodson, Ward Jaquish, Russell Miers, Clyde Hoyt and Russell Lawry. Mrs. Gilroy has charge of costume jewelry, of which there is to date a great quantity.

Workers: Mesdames Earl Crispell, Thomas Smith, Rowland Ritts, Clara Futch, Lee Bickling, Trevor Roberts, Michael Getzman, Samuel Margellina, Jack Birnstock, Fay Parrish, David Evans, Sarah Feeland, Mary Rice, Edgar Brace, Thomas Reese, Herbert Greisinger, Fred Welsh, and Miss Martha Bellas.

Gate Of Heaven Fiesta Scheduled For Wednesday And Thursday



On the rostrum of the recently constructed Gate of Heaven School addition, are members of the Fiesta Committee, who are laying final plans for the event slated for two evenings, Wednesday and Thursday of the coming week.

Reading from left to right, seated, are: Mrs. Paul Gates, dinner ticket committee; Mrs. William Jenkins, secretary; Mrs. John Polachek, Jr., chairman dinner committee; Mrs. Leon Czajkowski, co-chairman; Father Kane, pastor; Ray McDonald, co-chairman; Joseph Polacky, grounds chairman; Henry Mastalski, ham and bacon stand and prize

chairman. Standing: Father Frank, Assistant Pastor; Mrs. Jerome Gruver, prize ticket committee; Mrs. John Winogrodski, co-chairman solicitation; Mrs. Edward Weiss, dinner ticket committee; Mrs. John Elenchik, baked goods chairman; Mrs. John Kupstas, baked goods committee; Ignatius Gallagher, games committee; John Elenchik, co-chairman grounds committee; John Winogrodski, purchasing; Martin McEnrue, bingo committee; Father Rafferty, Assistant Pastor.

Gate Of Heaven Completes Plans For Annual Fiesta June 25, 26

Townships Led By Supervisors

Local government in the Back Mountain area is controlled by a Board of Supervisors for each of seven second-class townships and a borough council for Dallas Borough. Second-class townships are those which have less than 300 people per square mile. In the Back Mountain they include the following townships with their supervisors:

Dallas Township: Fred Lamoureux, William Brace and Walter Montross; Lake Township: Walter Hoover, Carl Swanson and Sharon Whitesell; Kingston Township: LeRoy Ziegler, Harry Bogart and Arthur F. Smith; Lehman Township: John Garringer, Kenneth Swan and Joe Marchakites; Franklin Township: Willard Armstrong, Herman Coon and James Smith; Jackson Township: Wesley Lamoureux, Steve Radonavitch and Elmer Laskowski; Ross Township: C. L. Holcomb, Sr., Albert Downing and Wayne Rosencrans.

The Dallas Borough Council members are Sterling Williams, president; Harold Brobst, vice president; Raymond Hedden, Robert F. Moore, Wilbur Davis, Grace T. Cave and Robert W. Parry.

Miss Klinetob Was Born On Flag Day, June 14

Bess Klinetob, Sweet Valley, celebrated her birthday on Sunday, with friends and relatives dropping in to wish her well. Her brother and his wife, Rev. and Mrs. C. B. Klinetob, of Florida and Afton, N. Y., spent the weekend, and while here, took Miss Klinetob to see her nephew, Rev. Hugh Klinetob in Luzerne for Saturday night supper. Mr. and Mrs. Homer Middleton were among the Sunday callers.

Honorary chairmen for Gate of Heaven Fiesta, slated for Wednesday and Thursday of next week, are Rev. Francis Kane, Rev. Richard J. Frank and Rev. Michael Rafferty. Cochairmen Ray McDonald and Mrs. Leon Czajkowski announce committees:

Advisory committee: R. W. Laux, John Winogrodski, Dr. Louis Vitale, Mrs. Lester Sharkoski, Mrs. Louis Vitale, Mrs. Victor Borzone, Mrs. William Carroll.

Treasurer, Walter Black; assistant treasurer, Francis Barry; secretary, Mrs. William Jenkins; dinner chairmen, Mrs. John Polachek, Jr., Miss Anna Polachek; publicity, Mrs. Hillman Dress.

Baked goods chairman, Mrs. John Elenchik; co-chairmen, Mrs. Joseph Hudak, Mrs. John Kupstas; grounds, Joe Polachek, John Elenchik; refreshments, Mrs. Joseph Polachek, Mrs. Clemens Sudol, Mrs. William Kennedy; games, I. J. Gallagher and Paul Monahan; wiring, James Regan, Vic Polk, Andrew Stash; sound, Thomas Kane.

Purchasing, William Harris and John Winogrodski; prize tickets, James Halpin, Mrs. Jerome Gruver, Charles Glawe; prize tickets at door, Michael Magagnico and Victor Borzone;

Car parking, Joseph Noon; bingo, Martin McEnrue, Frank Ferry, Hugh Carr, Robert Fallon; dinner tickets, Mrs. Paul Gates, Mrs. Edward Weiss; country store, M/M Joseph Fry and M/M Joseph O'Donnell; novelty stand, Mrs. Frank McGarry, Mrs. Benjamin Groblewski; ham and bacon stand, Henry Mastalski and Jack Nothoff.

Baked goods, Mesdames John Elenchik, John Kupstas, Joseph Hudak, George Stolarick, E. Lawrence, rouse.

Novelty booth, Mesdames Frank McGarry, John Casey, Ben Groblewski, Paul Monahan.

Dolls, Mrs. William Wallo, Anna Polachek, Mesdames A. A. Mascali, John Kaschak, William Watchlunis, John Chesnovitch, J. Exaropoulos, Willard Whalen, Donald Weeden, Warren Yarnel, Lester Sharkoski, Martin McEnrue, John Mulhern, Richard Rottier.

Games, Ignatius Gallagher, Paul Monahan, Vince Makar, Harry Burns, Paul Gates, Ed. Wilson, John Winogrodski, James Regan.

Every woman who donates baked goods will receive a stub. A drawing will be held on the last night of the Fiesta and two prizes will be awarded.

Baked goods for the first night will be baked by Bands one through six and for the second night by Bands seven through thirteen.

No Complaint

A young New Goss Manor father, registering a child for kindergarten at Dallas Borough School, said "Believe it or not, I haven't a single complaint."

Dallas-Franklin-Monroe Band Received Certificates Friday

Friday in an awards assembly, Dallas-Franklin-Monroe band members received mascot emblems (red Indian heads), certificates, and Seniors, trophies.

Certificates went to Audrey Race, Geraldine Goodman, Carol Wagner, Beverley and Shirley Denmon, Judy Shoemaker, Ruth Van Horn, James Fry, Ada Holbert, John Dymond, Brian Joos, Carol Dickson, Jerry Wilson, Clark Mosier, Walter Weiss, Barry Baird, Wesley Evans, Harold Eustice, William Bartoo, Beverly Race, Bob Dymond, Robert Wilman, Margie Baird, Pat Evans, Sandy Baird, John Zarno, William Cooper, John Bunney, Donna Hoyt, Barbara Kennedy, Don Hopkins, Merion Shupp, Ernest Supulski, Dale Mosier, Robert Gardner, Esther Layou, Ruth Murray, Lynda Carey.

Richard Wright, John Sidorek, David Williams, Barry Wyckoff, Earl Harris, Roger Bellas, Robert Crispell, Dale Maza, Tom London, Gail Jones, Jackie Clark, Brenda Hoke, Anne Dorrance, Elaine Kozemchak, Connie Veitch, Joyce Sweppenheiser, Joyce Dymond, Sandy Lee, Judy Joos, Doris Carey, Sherry Gauntlett, Judy Shannon, David James.

Mascot emblems to: Judy Shoemaker, Ernest Supulski, Ruth Van Horn, Janet DeGraw, Wesley Evans, Harold Eustice, David James, Joyce Sweppenheiser, Anne Dorrance, Sherry Gauntlett, Roger Bellas, Judy Shannon, David Williams.

Trophies to: Jerry Wilson, Clark Mosier, Sandy Baird, Barbara Kennedy, Esther Layou, Roger Bellas, Brenda Hoke, Judy Shannon, and John Sidorek.

Milk Ring Testing Available To All, Says Ralph M. Sands, Chairman

Milk ring testing for brucellosis at six-month intervals is available to all producing dairy herds, including any that may be missed in the routine tests at local milk plants, reminds Ralph M. Sands of Wyoming R. D. 3, chairman of the Luzerne County Dairy and Livestock Health Committee.

Herd owners not shipping milk to local plants can get the milk ring tests, Sands says, through arrangements being made by the committee and the State Bureau of Animal Industry.

All they need to do, he explains, is to telephone the county agent's office, Wilkes-Barre VA 3-6588 and arrangements will be made by the committee to have the testing done. The milk ring laboratory is presently located in Luzerne County

testing the Luzerne, Carbon and Monroe area. The big advantage of milk ring testing is that brucellosis (Bang's disease) infection can be detected in its early stages. Non-producing herds are blood-tested at three-year intervals.

The recent successful conclusion of the long fight against brucellosis in Pennsylvania, Sands adds, means a "great gain" for herd owners.

"Certification of the whole state for brucellosis was achieved largely through farmer cooperation. The best assurance for holding these gains lies in continued calf-vaccination and testing by the milk ring mobile laboratories of all producing herds at six-month intervals and all other herds blood tested at three-year intervals."

EVERY DAY COLLECTORS SAVE AT APPELBAUM'S. Here you can browse thru more stamps and covers than at the largest exhibition... unhurried and in complete comfort... any day of the week. Stop in. MAKE TOMORROW YOUR STAMP SAVING DAY. Ent. P. L. Appelbaum Inc. 1428 SOUTH PENN SQ. PHILADELPHIA 3 Rittenhouse 6-5917, 6-6632

HOW TO INCREASE MILK PRODUCTION 25%, BUTTERFAT 30%, BUTTERFAT TEST 25%. FEED Ti-o-ga Hi-lac. Contains THYRO-PROTEIN. Let the Tioga Representative Help You On Feeding Problems. DEVENS MILLING CO. Phone OR 4-7141 Dallas, Pa. A. C. DEVENS, Owner

HEAVIER PIGS AT WEANING. CALL ON US For... EXCAVATING, TRENCHING, CONSTRUCTION. FILL DIRT AND TOP SOIL FOR LAWNS. WATCH FOR OPENING Beautiful New Haddonfield Hills Development. DODSON & HUDAK BACK MT. CONTRACTORS. Phone OR 4-4886-4896 OR 4-4897

HEAVIER PIGS AT WEANING. When you feed WAYNE TAIL CURLER. An improved, more palatable formula speeds pigs on to heavier weaning weights faster than ever before. WAYNE FEEDS. CODE'S ESSO STATION KUNKLE COREY "CODE" BESTEDER Telephone Dallas OR 4-4136

Miss Klinetob Was Born On Flag Day, June 14. Bess Klinetob, Sweet Valley, celebrated her birthday on Sunday, with friends and relatives dropping in to wish her well. DR. BERGER EYESIGHT SPECIALIST Optometrist. • EYE EXAMINATIONS • FITTING OF GLASSES • ZENITH HEARING AIDS 27 Macell Avenue CALL ORchard 4-4921

BARTON'S WAYSIDE FURNITURE. \$50 PLUS SAVINGS PLAN. \$50 FREE each Saturday Plus Your Accumulated Savings. SAVE ONLY \$1. WEEKLY to be used as a CREDIT towards the purchase of FURNITURE - ANYTIME! • No Restrictions On Purchases • No Money Lost By Lapsed Accounts • Save Weekly or Monthly. LAST WEEK'S WINNER - MISS HAZEL SMITH Dallas R. D. 3. Phone ORchard 4-7666 To-day for Information - or for a Representative to Call at Your Home. BARTON'S WAYSIDE FURNITURE Harveys Lake - Memorial Highway DALLAS OR 4-7666. SUMMER STORE HOURS Mon. Through Sat. 11:30 A.M. - 9:00 P.M. Closed Sundays.

LOTS OF SUMMER FUN IN STORE FOR YOU - At - CROWN IMPERIAL BOWLING LANES. OPEN BOWLING ALL SUMMER! Cool and So Comfortable! • We Feature a Complete Selection • BOWLING BALLS • BOWLING SHOES. Memorial Highway DALLAS

THE FASTER GRASS GROWS THE MORE NECESSARY IT IS TO KEEP YOUR LAWN MOWER IN TIP-TOP CONDITION! Let us... REPAIR - OIL - CHECK - SHARPEN REGARDLESS THE MAKE! WE SELL NEW MOWERS OF ALL MAKES! "OUR JOB IS TO MAKE YOUR JOB EASIER!" EASY FINANCING. WM. ECKERT'S MAIN HIGHWAY TRUCKSVILLE OR 4-1184

PUBLIC SALE ANTIQUES. Having discontinued the antique business, I will sell the following on SATURDAY, JUNE 28 at 10:30 A.M. at TUNKHANNOCK AUCTION BARN Located on Route 92. Lincoln Rocker, Ladderback chair, old fashioned chairs including rocking chairs of all descriptions, piano stools, two antique phonographs, spinning wheel, flower stands, clocks of all descriptions, old coffee grinder, lamps and lamp shades, knick-knack shelves, picture frames, old saws, two record players to be attached to radios, chest, corner cupboard, charcoal irons, kerosene lamps, violin, antique dentist's grinder, jugs and crocks, old drill, pots and pans, lawn mowers, scales, bone dishes, fine cut glass bowls, plates, pitchers, three punch bowl sets, alcohol burner for coffee pot, and many other items too numerous to mention. Thomas Nice, Owner Bob Earl, Auctioneer Larksville, Pa. Wyoming RFD 3

SAFETY FIRST - FOR VACATION TRAVEL. Vacation CHECK UP Here. QUICK SERVICE EXPERT ATTENTION. BIRTH'S DALLAS ESSO SERVICENTER Official AAA Station in this Area. AAA EMERGENCY SERVICE CLYDE BIRTH, Owner WALTER HENNEBAUL, Mgr. Main Highway, Jct. Rt. 115-309 ORchard 4-1421 "KNOWN FOR FRIENDLY SERVICE". BULLDOZING TRUCK LOADING For Sale & Service. Universal Milkers, Pipe Line Milkers, Bulk Tanks, Concrete Silos CONCRETE. Swimming Pools, Barn Cleaners, MILK HOUSE UTILITIES. LEWIS SHIPPEY Tunkhannock, Pa., R. D. 2 Phone Harding 2693

Presenting 1958 Galaxy of Star-Performing Simplicity GARDEN TRACTORS. MODEL A: Low-cost gardening power at its functional best. 2 1/4 h.p. engine. • Lo-Tone Muffler • Recoil Starter • 2 forward speeds and reverse. \$195.00. MODEL FC: All-Season work-saver. 4 h.p. engine • Lo-Tone Muffler • Recoil Starter • Dualmatic Two-Speed Axle • 6 forward speeds plus 2 reverse • Rugged, all-steel body. \$298.00. MODEL VE: Indispensable power for institutions, large gardens, and farms. 7 h.p. engine • Dualmatic Two-Speed Axle • 6 forward plus 2 reverse • 100% Free Wheeling. \$370.00. When there's gardening to be done, do it with Simplicity America's No. 1 Line of Lawn and Garden Equipment. See This Superb SIMPLICITY Line Soon! CHARLES H. LONG SWEET VALLEY GR 7-2211