

Horse Pasture Management Seminar Scheduled

YORK (York Co.) — A Horse Pasture Management educational meeting is scheduled for Dec. 1 at the York County 4-H Center, Stoverstown Road near Bair from 7 p.m. to 9 p.m.

The seminar is for pleasure horse owners and horse boarders who want to learn the basic management skills required to become their own horse pasture specialists.

This is the first time in recent memory that Penn State Cooperative Extension in York County has offered a horse pasture management program.

Mark Goodson, extension agronomy agent in York County, is initiating this educational outreach effort because of demand in the community. "There are more horses than dairy cows in York County," reports Goodson. "Many owners of pleasure horses have little knowledge or background in pasture basics. This meeting will teach them where to find quality educational materials."

Shannon Brady, Equine Nutritionist and Extension Educator, is working with Goodson on this program. "Horse pas-

ture management is an integral part of 'horse keeping.' Proper management of pastures can provide adequate nutrition for horses throughout the year and can also decrease feeding costs."

To register for the seminars, contact Lisa or Tina at (717) 840-7408. A \$3 cover charge will be collected to cover light refreshments and handouts. For more information, contact Mark Goodson, Penn State Cooperative Extension Agent in York County at (717) 840-7408.

Middleburg Auction Hosts Calf Sale

MIDDLEBURG (Snyder Co.) — Middleburg Livestock Auction conducted its first annual LMA-Vaccinated and Certified Calf (LMA-VACC) program sale Saturday, Nov. 8.

The kickoff of the program at Middleburg, the first of its kind for livestock producers in the area, was a test of the response buyers and sellers alike would have to market-oriented preconditioning programs.

Bill Weist, general manager of Middleburg Livestock Auction said he was pleased with the success of the sale. "The program is still new; the numbers sold were few, but consignors were pleased with the prices and attendance by interested buyers was astounding." "We could have successfully sold many more of the LMA-VACC calves."

LMA-VACC is a national calf vaccination, preconditioning and preventive health program that was created by members of the Livestock Marketing Association (LMA).

Full Earns Junior Bronze Award

ST. JOSEPH, Mo. — Brittany Full, Mount Airy, Md., has qualified for the Bronze Award of the National Junior Angus Association, James Fisher, director of activities and junior activities for the American Angus Association in St. Joseph, Mo., recently announced.

Full is the 13-year-old daughter of Douglas and Donna Full



and attends Mount Airy Middle School. She has shown her Angus cattle at various shows at the local, state, and national levels. She has participated in the quiz bowl contest at the National Junior Angus Show, and attended a regional leadership conference. She is historian of the Maryland Junior Angus Association and has been a member of the National Junior Angus Association since 1991. The Bronze Award is the first of the three levels of the National Junior Angus Association Recognition Program. Applicants are evaluated in the areas of junior Angus association activities, participation in showmanship and leadership competitions, using performance testing to improve their herd, and their progress in producing and merchandising Angus cattle.

Brittany Full, Mount Airy, Md., left, recently received her Bronze Award from the National Junior Angus Association. The award is the first level of recognition by the NJAA, and are given to youth who complete an award application based on their activities and involvement in the NJAA and raising Angus cattle. Dave Mullins, regional manager, is pictured presenting the awards at the 2003 Eastern National Angus Show that was Sept. 21 in Timonium, Md.

Top Ten Angus Registrations From Pennsylvania

ST. JOSEPH, Mo. — The 10 producers who registered the most Angus beef cattle in the state of Pennsylvania recorded a total of 1413 Angus with the American Angus Association during fiscal year 2002, which

ended Sept. 30.

The 10 top recorders in Pennsylvania are: Sinclair Cattle Co., Warfordsburg, 610-head; South Branch Farms, Seven Valleys, 160; Sidney W. Riggs, Friedens, 142; McKean Brothers, Mercer,

115; Pennsylvania State University, University Park, 101-head; Circle Oak Farm, Gettysburg, 67; T P K Farms, Prospect, 58; Frey Family Angus, Quarryville, 54; Samuel J. Wylie III, Breezewood, 53-head; Indian Creek Farm, Stahlstown, 53.

J-STAR

YOUR ALL-IN-ONE FARMSTEAD EQUIPMENT SOURCE

Silo Unloader Technology Takes a Giant Leap Forward!

BIG JIM Quantum SYSTEM

SIMPLY THE BEST!

You know tower silos are the best way to store feed. Now Jamesway® gives you the best way to fill and feed fast, with great reliability. Plus, you get:

- Better Feed Quality
- More Feed Storage
- A Clean Chute

The all-new industrial-design Big Jim QUANTUM System can be installed in any type of 20' to 30' forage silo. . . conventional or oxygen limited. And since it requires little maintenance and has no doors to change, you eliminate trips up and down the silo.

CALL US TODAY FOR A VIDEO AND BROCHURE.

The Silo Unloader Experts

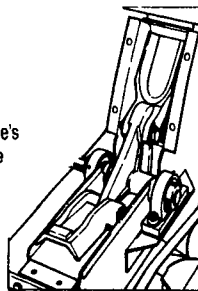


America's Best!

MAGNUM II™ SURFACE DRIVE SILO UNLOADER

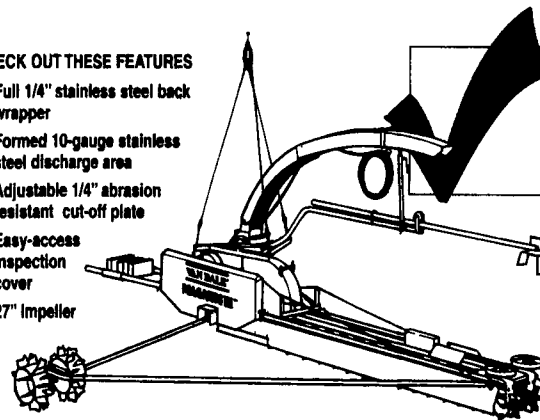
America's best selling silo unloader just got better! Van Dale's been writing the book on silo unloading technology for more than 45 years. And Van Dale invented and perfected the surface drive unloader. Now it's time to introduce the next generation. The MAGNUM II!

The new MAGNUM II features a brand new Hi-Perform™ Impeller which adds more "throw-power" than ever before. Check it out and then check in with your Van Dale Dealer.



CHECK OUT THESE FEATURES

- ✓ Full 1/4" stainless steel back wrapper
- ✓ Formed 10-gauge stainless steel discharge area
- ✓ Adjustable 1/4" abrasion resistant cut-off plate
- ✓ Easy-access inspection cover
- ✓ 27" Impeller



THE VAN DALE ADVANTAGE

Contact your local dealer for details!

VAN DALE Dependability through Quality

• **CABLE ALLEY SCRAPER** • **WASTE HANDLING EQUIPMENT** • **FEED HANDLERS**
DUMPS - TANKS - TILLAGE APPLICATOR BELTS - FEEDERS - CONVEYORS

See These Dealers For Details Now . . .

FRANKLIN'S FARM SERVICE
Laceyville, PA
717-869-2407

AGRI EQUIPMENT
Myerstown, PA 17067
717-866-0200

HOOVER EQUIPMENT
Tyrone, PA 16686
814-684-1777

LAPP'S BARN EQUIPMENT SALES & SERVICE
Gap, PA 17527
717-442-8134

HISTAND'S FARM & HOME SERVICE
Rome, PA
570-744-2371

ROVENDALE AG & BARN EQUIPMENT
Watsonstown, PA 17777
570-538-9564
OR 570-742-4226

SOLLENBERGER SILOS CORP.
Chambersburg, PA 17201
1-800-909-6909

JAMES L. HOSTETTER
McVeytown, PA 17051
717-899-6386

SOMERSET BARN EQUIPMENT
Somerset, PA 15501
814-445-5555

STAR SILOS
Chambersburg PA 17201
1-800-909-6909

MARYLAND
GLADHILL TRACTOR MART
Frederick, MD 2170
301-663-6060

TARM WOOD BOILERS

Tired of costly heating bills? Check out the new wood fired or pellet fired, Gasification add-on, or multi-fired wood boilers from TARM. NEVER WORRY about cleaning a chimney again in these cold winter months, plus all the hot water you will need!

CALL STAN AT
SKYLINE DRIVE ORCHARD
AT: 610/929-0888
CELL: 610/781-2940

NEW RIM-GUARD® TIRE BALLAST

Manufactured By: **Rim-Guard Inc.**
P.O. Box 4012, East Lansing, MI 48826

- Ready to use liquid, easier to handle than traditional weights
- Non-corrosive to tire rims
- Non-toxic & biodegradable
- Safe to -30C
- Non-flammable
- Reduces tire-rusting to rim
- Weight approx 10 7#/gal.
- Patented and OSHA approved
- Use with tubes or tubeless tires on new, antique, full size or compact tractors.

Distributed in the Northeast by
Ballast Star, Inc.
518-852-5901 or 888-678-2707

Dealers Wanted
(517) 351-8478