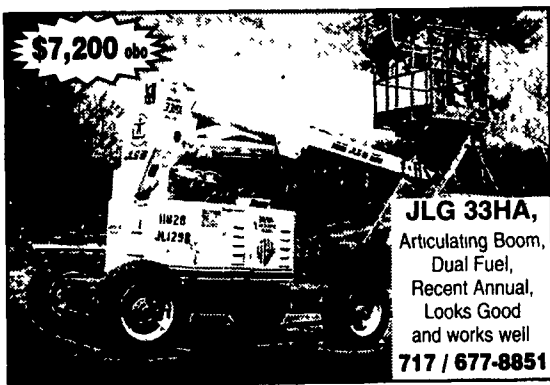


\$7,200 obo



JLG 33HA,
Articulating Boom,
Dual Fuel,
Recent Annual,
Looks Good
and works well
717 / 677-8851

For Sale



350 Case Track Loader, A1 Condition . \$10,000 OBO
610/965-4717

Equipment
CHALK
Sales - 150 Forklifts
In Stock



410•686•6800
BALTIMORE, MD

855 Case Track-loader. . . \$15,000
(2) 125 Case
Excavators **\$15,000 each**
75 yd. STECO
pushout trailer **\$6,500**
89 Freightliner tri-axle, rolloff
truck, w/300 Cummins, 9 speed
trans, auto tarper **\$24,000**
717•733•9300

COMPACT POWER EQUIPMENT, INC.
BUY • SELL • TRADE



CASE 570 LXT. '97, 4WD, front loader w/4-in-1 bucket, 6-way 7' box blade w/scarifiers, power shuttle, rear weights, tires @ 90%. You will not find a nicer machine!!
Excellent Condition.
REDUCED - ONLY \$19,995


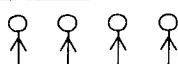


CAT 416C, Loader/Backhoe, '98, 4WD, enclosed cab w/heat, extend-a-hoe, 4-in-1 front bucket, turbo power shuttle, 2990-owner/operator hrs. Very Nice.
REDUCED - ONLY \$30,995



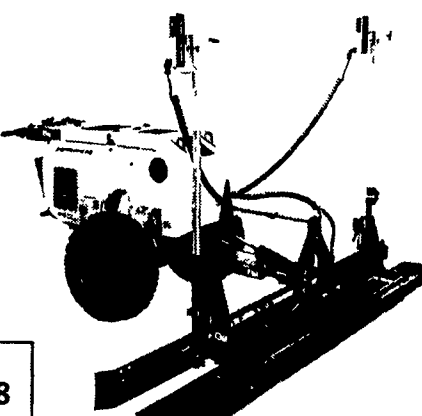
1998 FERMEC 650 LL 4WD front loader with Gannon 6-way box blade, 84", 4-in-1 bucket, 4 cyl 77 HP Perkins diesel, forward & reverse shuttle, 4 post ROPS & canopy, PTO & 3 pt Hitch, PS, 3800 hrs. **ONLY \$14,995**

NEWPORT, PA • 717-582-4077 or 717-497-9311
CALL FOR HOURS & DIRECTIONS • ALL EQUIPMENT STORED INDOORS
Authorized Hustler Turf Equipment Dealer
Visa & MasterCard accepted

Faster  **Flatter** _____ **Fewer** 

- Copperhead your concrete
- Laser controlled height
- 10' vibrate screed
- Buy or rent
- Rent with operator

GAP POWER RENTALS PLUS
Renting...The Ultimate TOOLBOX



Call Marvin Stoltzfus
(717) 442-8970 ext. 308
e-mail marvs@gappower.com

JERRE MARTIN REPAIR
391 N. Farmersville Rd., Ephrata, PA 17522
(Just minutes off RT 222)
717-859-3283 Toll Free 877-317-5348

Celebrating
Our 20th Year
1983-2003

Celebrating
Our 20th Year
1983-2003

 <p>'81 Cat 953 Crawler Loader, Good Cond. \$25,000</p>	 <p>'98 Cat D5MXL, Cab, Air, 2500 Hrs. \$62,000</p>	 <p>'96 Cat 953C, New U/C \$70,000</p>	 <p>'96 JLG 6003 diesel, 60ft \$18,500</p>	 <p>Gradall 534B, 8,000 lbs. \$23,500</p>
 <p>93 JD 655B, LGP \$27,000</p>	 <p>'98 JD 450G \$32,000</p>	 <p>'97 Cat 416C IT, 4x4, extend-a-hoe \$27,500</p>	 <p>Lull 844 telescopic forklift w/rebuilt JD diesel \$19,500</p>	 <p>Case 1845C \$8,500</p>
 <p>JD 555 Crawler Loader, \$13,500</p>	 <p>DJB D25 Articulated Dump Truck \$29,000</p>	 <p>Cat 951C \$14,700</p>	 <p>JD 570A, Excellent \$16,200</p>	 <p>JD 644C wheel loader, rebilt. trans., hyd. pump \$22,000</p>
 <p>Mustang 880 Loader w/Bkt. & Forks \$7,500</p>	 <p>92 JD 648E log skidder, winch & grapple \$26,500</p>	 <p>Kubota L3450 4x4 w/Kubota 3450 backhoe, 800 hrs \$14,500</p>	 <p>Case 1455B crawler loader \$16,000</p>	 <p>98 Bobcat 331, 1600 hrs., \$14,900</p>
 <p>IR SD100D Roller \$32,000</p>	 <p>Morbarck Eger Beaver Chipper, 4 cyl. Cummins Dsl., \$7,900 (5 avail.)</p>	 <p>'81 Cat 963 crawler loader \$24,000</p>	 <p>JD 450 crawler loader, \$7,500</p>	 <p>JD 350 crawler loader, new tracks, good cond. \$7,000</p>
 <p>JD 450C Crawler Loader Backhoe \$14,500</p>	 <p>Komatsu D215 Crawler Loader (Late Model) \$13,000</p>	<p>'96 Cat 953C crawler loader, new U/C, cab, GP bkt \$70,000 '91 Cat 963 Crawler Loader, like new U/C, cab \$40,000 '98 Cat 953C crawler loader, new U/C, cab air \$75,000 '82 Cat 953 crawler loader, cab, GP bkt \$25,000</p>		
<p>• Sales • Service • Rental Repairs WE ARE BUYERS FOR LATE MODEL CONSTRUCTION EQUIPMENT NEEDING REPAIRS Road Service Available Now, Custom Repairs On All Makes Construction Equipment</p>				