

U.S., Canada Reach Agreement On Dairy Exports

WASHINGTON, D.C. — The Office of the U.S. Trade Representative and the U.S. Department of Agriculture last week announced an important settlement with Canada resulting in major revisions to Canada's subsidy programs for its dairy exports.

The U.S. recently won a World Trade Organization (WTO) case that ruled that Canada was continuing to provide illegal subsidies to its dairy industry. As a result of the settlement, Canada has agreed to eliminate these subsidies.

Consequently, Canada will no longer export subsidized dairy products to the U.S. and will significantly limit subsidized dairy exports destined to third countries.

"This is great news for American dairy farmers and processors. The playing field has been leveled. The Canadians have agreed to comply with the WTO decision and will stop exporting subsidized dairy products to the U.S.," said U.S. Trade Representative Robert B. Zoellick. "I welcome Canada's quick action to comply with the WTO's most recent ruling, and fully expect Canada to abide by its WTO commitments on dairy exports."

"Canada's dairy subsidies have hurt U.S. producers and we are pleased that the WTO process has resulted in a positive solution," said Agriculture Secretary Ann M. Veneman. "This agreement will allow our producers to more effectively compete in the marketplace."

Over a number of years, the U.S. has argued before the WTO that Canada's dairy programs provided export subsidies to its dairy processors and farmers above the level that Canada com-

mitted to in the WTO.

In December 2002, the WTO ruled in favor of the U.S. confirming that Canada was continuing to provide illegal export subsidies with the sale of discounted milk to Canadian processors under its Commercial Export Milk (CEM) program.

Canada's settlement of the case is also with New Zealand, which joined the U.S. in challenging Canada's dairy regime in the WTO.

Key elements of the settlement between the U.S. and Canada are:

- By April 30, all Canadian provinces eliminated the CEM program, which the WTO ruled as providing export subsidies. The federal government of Canada also is making consequential amendments to its regulations related to CEM.

- Canada prohibited any new contracts under the CEM program as of December 31, 2002, thereby limiting the amount of

subsidized dairy exports for the remainder of the current marketing year, ending July 31.

- As of May 1, all deliveries of CEM milk ceased, and there will be no exports to the U.S. of any subsidized milk or cream.

- Canada ceased issuing permits for the export of dairy products under its Special Milk Class 5(d) for the remainder of the current marketing year.

- For the current marketing year, Canada will ensure that subsidized exports of butter and skim milk powder stay within the level established in the WTO.

- Canada will exceed its WTO commitment level for subsidies provided to exports of cheese and other milk products by a limited amount in the current marketing year. Due to the elimination of the CEM program, however, as of August 1, no subsidized dairy exports will enter the U.S., and Canada also will limit its subsidized dairy exports to other foreign markets to the level established in the WTO.

Cervidae Licensing Deadline June 1

HARRISBURG (Dauphin Co.) — With the June 1 deadline for operators to register their cervidae herds fast approaching, Agriculture Secretary Dennis C Wolff is urging elk and red deer owners to register with the department.

"We are approaching the licensing deadline, and I encourage cervidae breeders and herd owners to complete and return their license applications as soon as possible," Secretary Wolff said.

This month, the Depart-

ment of Agriculture sent license applications to all known cervidae livestock operations in the commonwealth, and has begun the inspection process. License applications are available on the Department's Website: <http://www.agriculture.state.pa.us/animalhealth/>. Owners of elk or red deer farm operations who have not received a letter should immediately contact the Department at (717) 705-2106.

Here's How To Contact Your Legislators

HARRISBURG (Dauphin Co.) — Names, addresses, and telephone numbers of federal and state legislators representing local residents are listed for persons wishing to contact them.

Federal

President George W. Bush, The White House, 1600 Pennsylvania Ave., N.W., Washington, D.C. 20500 (White House comment line: 1-202-456-1111); fax: (202) 456-2461; e-mail: President@Whitehouse.gov.

Sen. Arlen Specter, Room 530, Hart Senate Building, Washington, D.C. 20510. Phone: (202) 224-4254; fax: (202) 228-1229; e-mail: See Specter's Website.

Sen. Rick Santorum, Suite 1, Russell Senate Building, Washington, D.C. 20510. Phone: (202) 224-6324; fax: (202) 228-0604; e-mail: See Santorum's Website.

Rep. Joseph R. Pitts, (R-16th District), Room 504, Cannon House Office Building, Washington, D.C. 20515. Phone: (202) 225-2411; fax: (202) 225-2013; Lancaster office, 50 N. Duke St. Phone: (717) 393-0667; fax: (717) 393-0924.

State

Gov. Ed Rendell, 225 Main Capitol Building, Harrisburg, PA 17120. Phone: (717) 787-2500; fax: (717) 772-8284; e-mail: governor@state.pa.us.

Sen. Gibson E. Armstrong (R-13th District), Room 281, Capitol Building, Senate Box 203013, Harrisburg, PA 17120. Phone: (717) 787-6535 or (800) 235-1313; 120 S. Queen St., Lancaster, PA 17603; 2997 Cape Horn Road, Red Lion, PA 17356; e-mail: garmstrong@pasen.gov.

Sen. Chip Brightbill (R-48th District), Room 350, Capitol Building, Harrisburg, PA 17120. Phone: (717) 787-5780; fax: (717) 787-3455; district office, 222 S. Market St., Suite 103, Elizabethtown, PA 17022. Phone: (717) 361-6080; fax: (717) 361-6083.

Sen. Noah W. Wenger (R-36th District), Room 281, Capitol Building, Senate Box 203036, Harrisburg,

PA 17120. Phone: (717) 787-4420; district office, 1248 W. Main St., Ephrata, PA 17522; e-mail: nwenger@pasen.gov.

Rep. Gibson C. Armstrong (R-100th District), 51A East Wing, Harrisburg, PA 17120. Phone: (717) 783-6424; fax: (717) 772-9869; 680B Robert Fulton Highway, Quarryville, PA 17566. Phone: (717) 786-4551; fax: (717) 786-3645.

Rep. Roy E. Baldwin (R-97th District), 53B East Wing, Harrisburg, PA 17120. Phone: (717) 787-1776; 1720 Lititz Pike, Lancaster, PA 17601. Phone: (717) 569-5855; fax: (717) 519-4306.

Rep. Scott W. Boyd (R-43rd District), 423 Irvis Office Building, Harrisburg, PA 17120. Phone: (717) 783-6422; fax: (717) 787-7731; 1861 Charter Lane, Suite 102, Lancaster, PA 17601. Phone: (717) 464-5285; fax: (717) 295-7817.

Rep. Thomas C. Creighton (R-37th District), 53A East Wing, Harrisburg, PA 17120. Phone: (717) 772-5290; fax: (717) 772-9869; 47 Market Square, Manheim, PA 17545. Phone: (717) 664-4979; fax: (717) 664-4997; 323 Main St., Denver, PA 17517. Phone: (717) 336-2199; fax: (717) 336-4522.

Rep. David S. Hickernell (R-98th District), 143B East Wing, Harrisburg, PA 17120. Phone: (717) 783-2076; fax: (717) 705-1946; 222 S. Market St., Suite 103, Elizabethtown, PA 17022. Phone: (717) 367-5525; fax: (717) 367-6425; 236 Locust St., Columbia, PA. Phone: (717) 684-5525; fax: (717) 684-2538.

Rep. P. Michael Sturla (D-96th District), 105A East Wing, Harrisburg, PA 17120. Phone: (717) 787-3555; fax: (717) 787-0861; 8 N. Queen St., Suite 1100, Griest Building, Lancaster, PA 17603. Phone: (717) 295-3157; fax: (717) 295-7816; e-mail: msturla@pahouse.net.

Rep. Katie True (R-41st District), 143A East Wing, Harrisburg, PA 17120. Phone: (717) 705-7161; 2938 Columbia Ave., Manor West Commons, Suite 501, Lancaster, PA. Phone: (717) 295-5050.



Heavy Duty Bale Movers

Finished with a zinc rich under coat & polyester top coat.

With Kverneland Forged Steel Spears • Electrically Heat Treated
These spears are stronger & allow easier bale penetration.

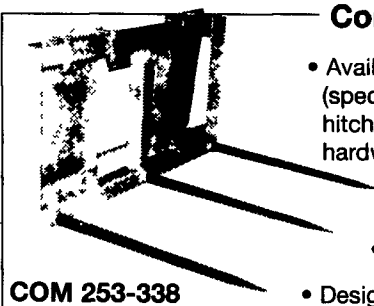
Combination Bale Movers

- Available with either quick attach (specify make or model) or 3PT hitch/loader boom mounting hardware

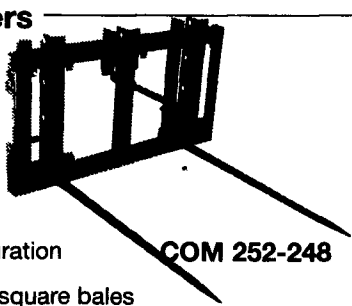
- 2500 lb. capacity

- Easily change spear configuration

- Designed to move either round or square bales



COM 253-338

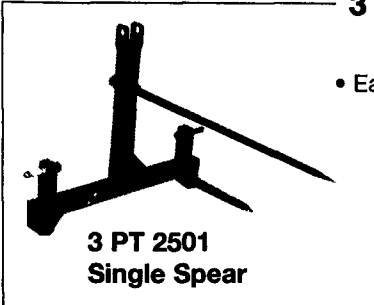


COM 252-248

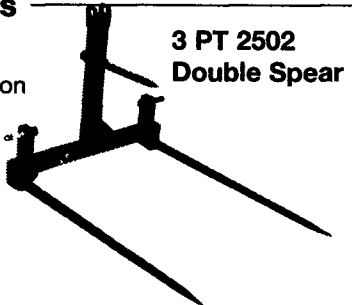
3 PT Hitch Bale Movers

- Easily change spear configuration

- 1500 lb. capacity

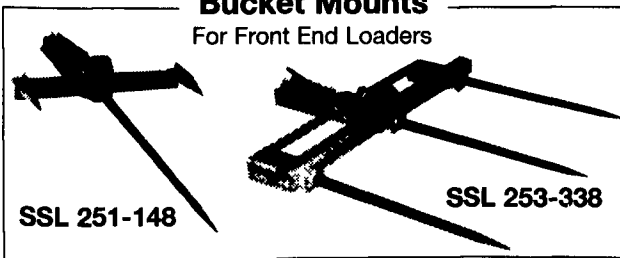


3 PT 2501
Single Spear



3 PT 2502
Double Spear

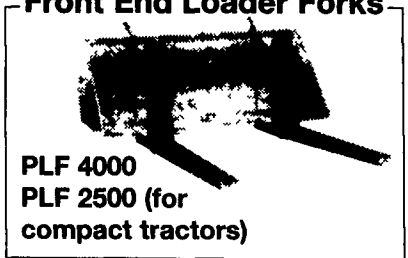
Bucket Mounts For Front End Loaders



SSL 251-148

SSL 253-338

Front End Loader Forks



PLF 4000
PLF 2500 (for compact tractors)

Paul B. Zimmerman, Inc.

295 Woodcorner Road • Lititz, PA 17543

717/738-7365

1 mile west of Ephrata

Call or write for additional information and the name of your nearest dealer.

Hours:
Mon - Fri: 7-5

If you're planning to get bigger...



...we can lend a hand.
And some cash.

Before you turn over the first shovelful of dirt for an expansion project, I hope you'll put pencil to paper to figure out how it's going to benefit your farm business. And when you get to the financing part of your planning process, I hope you'll give me a call. At ENB, we've been helping farmers grow their businesses for the past 120 years.



Bob Zook, VP, Ag Lending

For more ag lending information call 717-721-5220 or 1-877-773-6605



Ephrata National Bank

You'll feel the difference.

www.ephranationalbank.com

Member FDIC