

PLYCO

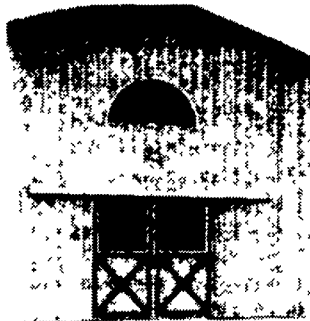
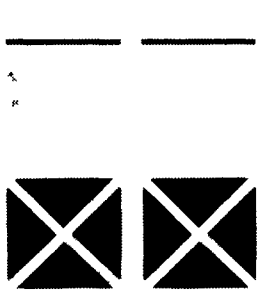
CORPORATION
(800) 558-5895

QUALITY MAKES THE DIFFERENCE

Ridge Ventilators & Cupolas

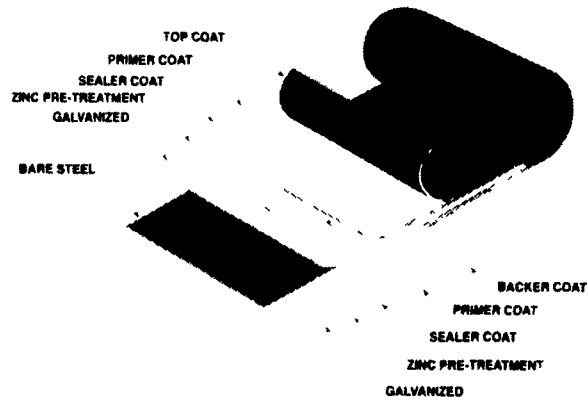


Champion Sliding Doors



Ask for Plyco products on your next horse barn or garage

Quality Makes the Difference!



- ⊙ Painted Metal Roofing, Siding, & Trim
- ⊙ Low Maintenance and Lasting Beauty
- ⊙ Largest Standard Color Selection in the Industry
- ⊙ Zinc Phosphate Pre-Treatment for Optimum Corrosion Protection
- ⊙ 30-Year Non-Prorated Warranty
- ⊙ 10-Year Rust Warranty
- ⊙ Experienced FABRAL Engineering, Service, and Product Development since 1967!

All metal components for Agricultural Post-Frame buildings



Lancaster, Pennsylvania
(717) 397-2741
1-800-477-2741

Building Excellence Since 1989!

www.conestoga-buildings.com

Custom Built Pole Buildings

Quality Makes the Difference



Glu-Lam Post

...another quality product from Rigidply Rafters used in CONESTOGA Buildings.

- ◆ Stronger than solid 6x6 posts
- ◆ Straighter than solid 6x6 posts
- ◆ More uniform and Completely treated---
- ◆ .60 CCA throughout the #1 structural 2x6's that are embedded in the ground.....
- ◆ #2 and better structural wood for construction above ground for pure appearance and greater overall strength.

The waterproof glue is the strongest binder and component---even stronger than the wood! Designed in Germany, improved, and proven since the early 1900's!

C B Structures, Inc. producers of

CONESTOGA Buildings

202 Orlan Road □ New Holland, PA 17557

1-800-544-9464



the finest name in metal roofing and siding since 1967!

PLYCO

