

PRODUCE MARKETS

Philadelphia Vegetables

Terminal Market
May 7, 2003
Report Supplied By USDA
VEGETABLES -ARTICHOKES: ctns CA Globe Thorned 15s 13.00-14.00 24s 24.00 48s 13.00-14.00 -ASPARAGUS: MARKET ABOUT STEADY. pyr ctns/crts 28 lb bchd CA Green lge 30.00 std 35.00 MD Green fldrn 21.00-22.00 WA WAEFcy Green exlge few 28.00 lge 28.00-30.00 std 35.00-36.00 sml 34.00-35.00 1/2 pyrctrs bchd WA WAEFcy Green jbo 16.00-18.00 mostly 16.00 -BEANS: MARKET LOWER. bucrts MX Fava 23.00 bucrts/crts FL Round Green Type Machine Picked 16.00-20.00 fair cond 10.00-12.00 ord cond 3.00-5.00 5 lb ctns GU Hericot Vert (French Type) 8.00-10.00 -BEETS: MARKET ABOUT STEADY. ctns bchd TX 12s 10.00 25 lb filmbags lse CD med 6.50-7.00 TX med 8.00 50 lb sks lse TX med 13.00-14.00 -BROCCOLI: MARKET ABOUT STEADY. ctns CA bchd 14s 7.50-9.50 mostly 8.50-9.50 few 10.00 few 7.00 FL bchd 14s 5.00-6.00 20 lb ctns lse CA Crown Cut 8.00-10.00 -BRUSSELS SPROUTS: MARKET STEADY. 25 lb ctns CA 20.00 MX 20.00 -CABBAGE: OFFERINGS SAVOY TYPE LIGHT. MARKET LOWER. 1 1/4 bucrts & 50 lb ctns FL Round Green Type med 10.00-12.00 sml-med 9.50-10.00 Red Type med 12.00-14.00 GA Round Green Type med 10.00 TX Round Green Type med 11.00 50 lb sks CD Round Green Type med-lge few 13.50-14.00 NY Round Green Type med 11.50 1 1/4 bucrts & 40 lb ctns FL Savoy Type med-lge few 20.00 -CARROTS: MARKET ABOUT STEADY. sks 48 1-lb filmbags CA Topped med-lge 14.00-15.00 few 16.00 sks 24 2-lb filmbags CA Topped med-lge 14.00 CD Topped med-lge 8.00 sks 10 5-lb filmbags CA Topped med-lge 14.00 CD Topped med-lge 8.00 50 lb sks lse CA Topped jbo 14.00-15.00 CD Topped jbo 11.00-12.00 MX Topped jbo 12.50-13.00 ctns bchd CA Bunched 24s 13.00 ctns 20 1-lb filmbags CA Baby Peeled 13.00 -CAULIFLOWER: MARKET HIGHER. ctns flmwrpd CA 12s 11.00-12.00 9s 10.00-11.00 ord cond 4.00-5.00 -CELERY: MARKET SLIGHTLY LOWER. ctns CA 2 dz 14.00-16.00 few 18.00 fair appear 12.00-13.00 2 1/2 dz 14.00-16.00 few 18.00 fair appear 12.00-13.00 filmbags 30s 17.00-18.00 filmbags 36s 21.00-22.00 FL 2 dz 12.00-14.00 2 1/2 dz 12.00-14.00 -CHINESE CABBAGE: MARKET ABOUT STEADY. 30 lb ctns CA Nappa 20.00 50 lb ctns FL Nappa 15.00-16.00 -CORN-SWEET: MARKET ABOUT STEADY. wcrts FL Yellow 4-4 1/2 dz 9.00 White 4-4 1/2 dz 9.00-10.00 mostly 9.50-10.00 few 10.50 few low as 8.50 Bi-Color 4-4 1/2 dz 8.00-9.00 mostly 9.00 -CUCUMBERS: OFFERINGS LIGHT. flts/ctns flmwrpd CD CDOne Long Seedless med 12s 8.00 sml 12s few 7.00 WAXED 1 1/9 bucrts/crts FL med 22.00-24.00 mostly 22.00 fr qual 10.00-12.00 mostly 12.00 few high as 14.00 sml poor cond 1.00-2.00 -EGGPLANT: MARKET LOWER. 1 1/9 bucrts/crts FL med 12.00-14.00 few high as 16.00 5 kg ctns NL sml 16.00-22.00 ctns/crts HD Chinese 30.00 35 lb ctns HD Japanese 32.00-34.00 30 lb ctns HD Thai 40.00-42.00 Indian 30.00-32.00 -ENDIVE: OFFERINGS

LIGHT. 1 1/9 bucrts/crts FL 13.00 10 lb ctns BL Witloof 11.00 few 12.00 -ESCAROLE: OFFERINGS LIGHT. 1 1/9 bucrts/crts FL 14.00 -GARLIC: MARKET STEADY. 30 lb ctns CQ White # 10-11 packaged 6s few 24.00 3s 22.00-23.00 # 9 21.00 Purple # 9 fair cond 10.00-12.00 packaged 3s 17.00-18.00 MX Purple super col 24.00 col 22.50 super jbo 21.00 exjbo 19.50 22 lb ctns/crts AG White # 6 fair cond 12.00-15.00 -GREENS: MARKET ABOUT STEADY. ctns bchd CA Kale 24s 13.00 MX Swiss Chard 12s 14.00 Red 12s 14.00 TX Collard 24s ord cond 6.00 Dandelion 12s 10.00 ctns/crts bchd GA Kale 24s 12.00 Mustard 24s 12.00 Turnip Tops 24s 12.00 SC Collard 12.00-13.00 ctns lse CA Kale Flowering 24s 16.00 MX Kale Flowering 24s 16.00 -LETTUCE-ICEBERG: MARKET HIGHER. ctns CA 24s 20.00-25.00 mostly 22.00-24.00 poor cond 1.00-2.00 Wrapped 24s 24.00-25.00 fair cond 20.00 lge ctns CA Wrapped 24s fair cond 22.00 -LETTUCE-OTHER: MARKET LEAF HIGHER, OTHERS ABOUT STEADY. ctns CA Boston 24s 20.00 fair appear 15.00 Green Leaf 24s 18.00-22.00 mostly 20.00-21.00 few higher Red Leaf 24s 15.00-20.00 few 14.00 NJ Boston 24s 12.00 3 lb ctns CA Mesculin Mix 6.00-8.00 mostly 6.50-7.00 -LETTUCE-ROMAINE: MARKET HIGHER. ctns CA 24s 20.00-24.00 mostly 21.00-23.00 few 25.00 fair cond 15.00 ctns 12 3-count pkgs CA Hearts 20.00 3/4 crts foil lined CA 24s 28.00 -MUSHROOMS: MARKET STEADY. 10 lb ctns PA lge 14.75 few 14.50 med 12.00-12.25 4 qt bkts PA med-lge 7.00 sml-med 6.25 5 lb ctns PA Oyster 16.00 Portobellas 9.00-9.50 few 10.00 sml 8.00-9.00 3 lb ctns PA Shiitake 13.00 fair qual 10.00 Oyster few 12.00 ctns 12 8-oz trays flmwrpd PA 10.50-10.75 mostly 10.50 ctns 8 1-lb trays flmwrpd PA 14.75 ctns 10 10-oz trays flmwrpd PA 10.50-10.75 ctns 10 8-oz trays flmwrpd PA 9.50 -OKRA: MARKET ABOUT STEADY. 1/2 bucrts FL sml-med 10.00-12.00 fair qual 7.00-8.00 -ONIONS GREEN: MARKET ABOUT STEADY. ctns bchd CA 48s 9.00-10.00 MX 48s 8.00-9.00 Leeks 12s 15.00 -PARSLEY: MARKET ABOUT STEADY. ctns bchd CA Curly 60s 13.00 -PARSNIPS: OFFERINGS INSUFFICIENT TO QUOTE. -PEAS GREEN: MARKET ABOUT STEADY. 10 lb ctns GU Snow Peas 10.00-12.00 few 13.00 occasional 14.00 fair qual 9.00 Sugar Snap Peas 12.00-16.00 fair cond low as 10.00 -PEPPERS: MARKET LARGE GREEN LOWER, OTHERS ABOUT STEADY. 1 1/9 bucrts FL Bell Type Green exlge 10.00-12.00 fair cond 6.00 lge 7.00-9.00 mostly 8.00 fair cond 6.00 med 6.00-7.00

sml 5.00-6.00 Mxd Red And Green lge 7.00 11 lb ctns CD Bell Type Yellow exlge 25.00 15 lb ctns MX Bell Type Red lge 18.00-22.00 5 kg ctns NL Bell Type Orange 80-100mm 25.00 Red 80-100mm 25.00-27.00 Yellow 80-100mm 23.00-26.00 -PEPPERS OTHER: MARKET ABOUT STEADY. 1/2 bucrts FL Jalapeno 8.00-10.00 Serrano 18.00 Poblano few 12.00 1 1/9 bucrts/crts FL Poblano 18.00-19.00 8 lb ctns MX Habanero orange 12.00 fair cond low as 8.00 TT Habanero green 12.00 ord cond low as 5.00 red 12.00 ord cond low as 5.00 yellow 12.00 ord cond low as 5.00 25 lb ctns HD Finger Hot 20.00-22.00 30 lb ctns HD Thai Chili Hots Green 45.00 Red 55.00 -RADISHES: MARKET ABOUT STEADY. ctns tpd 30 6-oz filmbags FL Red 7.00-8.00 ctns tpd 14 1-lb filmbags FL Red few 9.00 -RUTABAGAS: MARKET ABOUT STEADY. 50 lb sks CD CDOne med 7.00-8.00 mostly 8.00 -SPINACH: MARKET ABOUT STEADY. 1 2/5 bucrts bchd CA Flat 24s 18.00 ctns 4 2 1/2-lb filmbags CA Flat 13.50-15.00 cel crt NJ Savoy 7.00 4 lb ctns CA Flat Baby Type 10.00-12.00 -SQUASH: MARKET ZUCCHINI HIGHER, OTHERS ABOUT STEADY. 1/2 bucrts FL Zucchini sml-med 12.00 poor cond 1.00-2.00 med 10.00 Yellow Straightneck sml-med 10.00 med 6.00-8.00 few high as 10.00 GA Zucchini sml-med 10.00-14.00 mostly 12.00 med fair appear 8.00 Yellow Straightneck sml-med 7.00-8.00 mostly 8.00 med 5.00-6.00 mostly 6.00 med-lge 4.00 4/7 bucrts MX Yellow Straightneck sml-med 8.00-9.00 -SWEET POTATOES: MARKET ABOUT STEADY. CURED 40 lb ctns LA U.S. One Beauregard med 19.00 NC U.S. One Beauregard med 15.00-16.00 -TOMATOES: MARKET ABOUT STEADY. 25 lb ctns FL Vine Ripes light red-red 5x6s 10.00-11.00 85% U.S. One or Better Mature Greens light red-red 5x6s 9.00-11.00 mostly 10.00 6x6s 10.00-11.00 Local Repack 85% U.S. One or Better Mature Greens light red-red 5x6s 14.25 6x6s 15.25 6x7s 15.25 15 lb flts CD CDOne Vine Ripes Greenhouse light red 22s 6.00-8.00 25s 6.00-8.00 5 kg ctns on the vine CD CDOne Vine Ripes Greenhouse light red-red lge 6.00-8.00 NL Vine Ripes Greenhouse red med-lge 15.00 -TOMATOES, CHERRY: MARKET ABOUT STEADY. flts 12 1-pt bkts FL light red-red 8.00-9.00 flts 12 1-pt ctns with lids FL Grape Type light red-red 8.00-10.00 mostly 9.00-10.00 -TOMATOES, PLUM TYPE: MARKET ABOUT STEADY. 25 lb ctns FL light red-red 15.00-16.00 mostly 16.00 MX light red-red 14.00 -TURNIPS: OFFERINGS INSUFFICIENT TO QUOTE. -VEGETABLES OTHER: MARKET STEADY. 8 lb ctns CA Radicchio 9s 10.00 3 kg ctns GU Radicchio 9s few 9.00

Philadelphia Fruit

Terminal Market
May 7, 2003

Report Supplied By USDA

CITRUS FRUITS -GRAPEFRUIT: MARKET STEADY. 4/5 bucrts FL U.S. One Indian River Red 23s 10.00-12.00 27s 11.00-12.00 some 13.00 32s 11.00-12.00 mostly 12.00 36s 11.00-12.00 mostly 11.00 40s 11.00 48s 11.00 56s 11.00 -LEMONS: MARKET STEADY. ctns CA Shprs Choice 95s 14.00 115s 16.00-17.00 mostly 17.00 140s 17.50-20.00 165s 18.00-21.00 200s 17.00 -LIMES: MARKET LOWER. 10 lb ctns MX 42s 12.00-14.00 mostly 12.00 48s 12.00-13.00 some 15.00 54s 10.00-12.00 mostly 10.00-11.00 63s 10.00-11.00 mostly 10.00 40 lb ctns MX 150s 39.00 175s 39.00-43.00 mostly 40.00 few 44.00 200s 39.00-42.00 mostly 39.00 230s 28.00-30.00 few high as 35.00 -MISC CITRUS: 10 lb ctns CA Kumquats 18.00 -ORANGES: MARKET ABOUT STEADY. ctns CA Shprs 1st Grade Navel 48s 17.00 56s 17.00-18.00 mostly 17.00 fair cond 10.00-11.00 72s 16.00-16.50 mostly 16.00 fair cond 10.00-11.00 88s 15.00-16.00 mostly 15.00 113s 13.00 Shprs Choice Navel 56s 12.00 72s 11.00-12.00 88s 11.00 113s 11.00 4/5 bucrts FL Valencia 48s 11.00 56s 11.00 64s 11.00 80s 11.00 some 9.50 100s 10.50-11.00 mostly 11.00 125s 11.00 -TANGELOS: OFFERINGS INSUFFICIENT TO QUOTE.

-TANGERINES: MARKET STEADY. 4/5 bucrts/crts FL Honey 64s 21.00 80s 17.00-21.00 mostly 20.00-21.00 100s 17.00-20.00 mostly 18.00-20.00 120s 16.50-18.00 mostly 17.00-18.00 150s 15.50-16.00 mostly 15.50 ord cond 4.00-5.00 -TEMPLES: OFFERINGS INSUFFICIENT TO QUOTE.

BERRIES -BLUEBERRIES: MARKET ABOUT STEADY. flts 12 4.4-oz cups with lids FL med-lge 20.00-22.00 mostly 20.00-21.00 -CRANBERRIES: OFFERINGS NONE.

-MISC BERRIES: MARKET ABOUT STEADY. flts 12 6-oz cups with lids MX Blackberries one label 15.00 flts 12 5.6-oz cups with lids MX Blackberries 11.00-12.00 -RASPBERRIES: MARKET ABOUT STEADY. flts 12 6-oz cups with lids CA Red 20.00 flts 12 1/2-pt bkts with lids CL Red 24.00 -STRAWBERRIES: MARKET HIGHER. flts 12 1-pt bkts CA med-lge 12.00-15.00 mostly 13.00-14.00 ord cond 2.00-8.00 preferred, labels 16.00-18.00 flts 8 1-lb ctns with lids CA med-lge 13.00-15.00 ord cond 2.00-8.00

MELONS -CANTALOUPS: MARKET HIGHER. 1/2 ctns CR 9s 14.00-15.00 12s 14.00-15.00 HD 12s 12.00-14.00 24 inch bins FL 130s 140.00-160.00 -HONEY-DEWS: MARKET HIGHER. 1/2 ctns GU 6s 12.00-16.00 HD 5s 13.00-14.00 6s 13.00-14.00 PN 5s fair cond 8.00-9.00 -MISC MELONS: OFFERINGS INSUFFICIENT TO QUOTE.

-WATERMELONS: MARKET ABOUT STEADY. ctns per ctn MX Red Flesh Seedless Type 4s 24.00 Sangria 3s 20.00 36 inch bins FL Red Flesh Seedless Type Round Varieties 50-55 count 250.00 Sangria 45-55 count 200.00-225.00 65 count ord cond 50.00 per melon FL Sangria 25-28 lb 4.75-5.00 bins per melon TX Allsweet 25-29 lb 7.00

NON-CITRUS FRUITS -APPLES: MARKET STEADY. ctns trypk CL cat 1 Granny Smith 80s 26.00 90s 24.00 22.00 100s 23.00 20.00 110s 18.00 Gala 100s 21.00 CONTROLLED ATMOSPHERE STORAGE ctns trypk WA WAEFcy Red Delicious 64s 21.00 one label 24.00 72s 21.00 80s 18.00 88s 15.00-17.00 preferred labels 22.00 100s 15.00-18.00 mostly 16.50 few lwr 113s 15.50-18.00 mostly 16.50-18.00 some 15.00 125s 18.00 Golden Delicious 72s one label 28.00 80s 21.50 one label 28.00 88s 21.50-24.00 100s 20.00 Fuji 88s 26.00 100s 24.00 U.S. ExFcy Golden Delicious 88s 20.00 100s 18.00 113s 16.00 ctns celpk NY U.S. ExFcy Cortland 100s 24.50-25.00 U.S. Fcy McIntosh 120s 17.00-18.00 17.00-17.50 WA WAEFcy Golden Delicious 96s 24.00 lge ctns WA WAEFcy Red Delicious 60s 26.00-27.00 -APRICOTS: OFFERINGS NONE.

-AVOCADOS: MARKET HIGHER. ctns 2 lyr CA Hass 48s 41.00-44.00 mostly 43.00-44.00 few 45.00 -BANANAS: MARKET STEADY. 40 lb ctns IMPORT 12.50 fair qual 10.50-11.50 mostly 11.00 sml 8.50-9.50 mostly 9.00 petite 13.50 40 lb ctns bagged IMPORT 11.50 -CHERRIES: OFFERINGS LIGHT. 16 lb ctns/lugs CA

(Turn to Page A13)

4.9¢ Long Distance Service

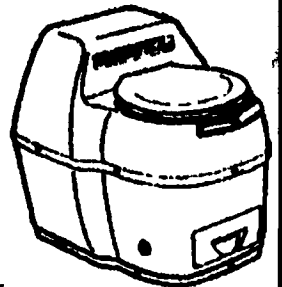
4.9¢ per minute, first minute, every minute, in your state, and in all 48 states. 6 second billing

Call JDS Telecom 1-888-315-1179

WATERLESS TOILETS

"SUN-MAR" Composting Toilets

Several models available including non-electric.
• NO Septic System
• NO Chemicals
Save the Environment!
Recycle Back to Nature!

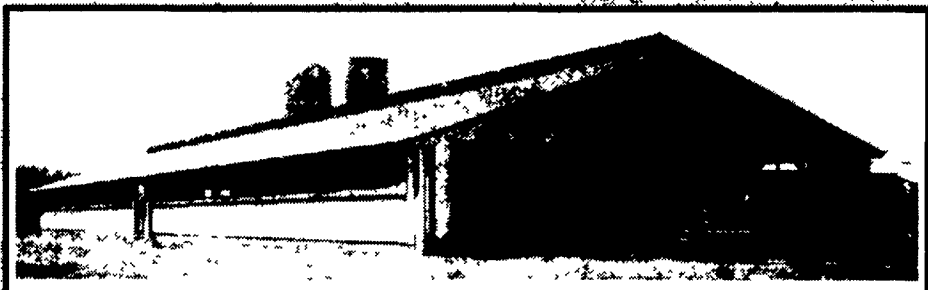


FREE:
12 Page Color Catalog
We Perform Septic Inspections & Certifications
ECO-TECH Call Today 717-337-9325

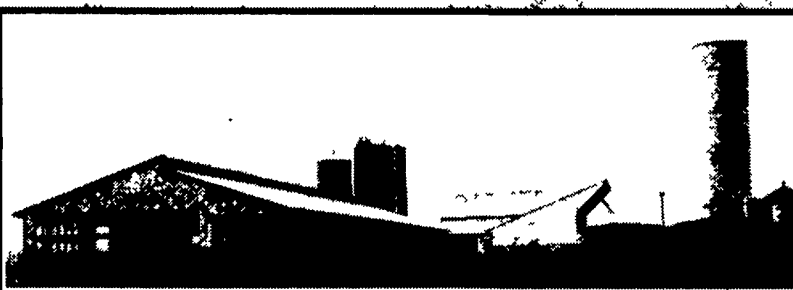


477 East Farmersville Rd.
New Holland, PA 17557

(717) 355-2361



Concrete Slatted Free Stall Barn



Slatted Beef Barn



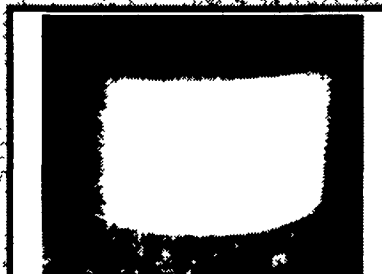
Slatted Heifer Barn



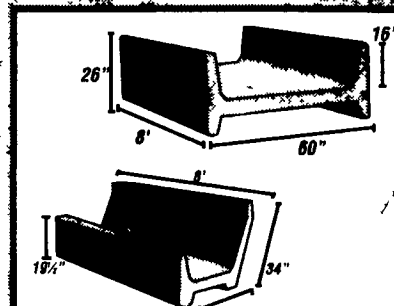
Precast T-Wall Concrete Bunker Silos or commodity buildings built to suit your needs. Bunkers available in 8 Ft. or 12 Ft. High.



Slatted Free Stall Barn



Round Concrete Watering Troughs, SCS Approved



Concrete Feed Bunks

NOTICE: FARM OWNERS

Goodville Mutual is One of the Top 5 Farm Insurance Companies in Pennsylvania.

WANT TO KNOW WHY?



Liz Martin
Martin Insurance Agency

459 C N George St.
Millersville, PA 17551
(717) 872-7756
Toll Free
1-877-791-5235

www.martininsurance.com
Affordable insurance for farm, home, vehicle, and small business

Agent for Goodville Mutual