

**PRODUCE MARKETS**

**Philadelphia Vegetables**

Terminal Market

April 2, 2003

Report Supplied By USDA

**VEGETABLES -ARTICHOQUES:** MARKET ABOUT STEADY ctns CA Globe Thorned 36s few 20.00 -**ASPARAGUS:** MARKET ABOUT STEADY pyr ctns/crts 28 lb bchd CA Green lge 32.00-36.00 few low as 30.00 std 35.00-38.00 few 34.00 MX Green lge ord fair cond 10.00-20.00 11 lb ctns/crts bchd CA Green std fair appear 14.00-15.00 -**BEANS:** MARKET HIGHER bucrts MX Fava 26.00-28.00 bucrts/crts FL Round Green Type Machine Picked 20.00-24.00 fair cond 14.00-18.00 5 lb ctns GU Hericot Vert (French Type) 10.00 -**BEETS:** MARKET STEADY ctns bchd TX 12s 9.00-10.00 25 lb filmbags lse CD med 6.00 50 lb sks lse TX med 10.00 -**BROCCOLI:** MARKET SLIGHTLY HIGHER ctns AZ bchd 14s 12.00 CA bchd 14s 9.00-11.00 mostly 10.00 FL bchd 14s ord cond 2.00-3.00 20 lb ctns lse CA Crown Cut 12.00-14.00 mostly 12.00-13.00 -**BRUSSELS SPROUTS:** MARKET LOWER 25 lb ctns CA 16.00 MX 18.00 -**CABBAGE:** MARKET ABOUT STEADY 1 1/4 bucrts & 50 lb ctns FL Round Green Type med 10.00-11.00 Red Type med 14.00 TX Round Green Type med few 10.00-12.00 fair appear low as 9.00 50 lb sks NY Round Green Type med-lge 9.50-10.00 1 1/4 bucrts & 40 lb ctns FL Savoy Type med-lge few 14.00 -**CARROTS:** MARKET ABOUT STEADY sks 48 1-lb filmbags CA Topped med-lge 13.00-15.00 mostly 14.00 50 lb sks lse CA Topped jbo 11.00-13.00 CD Topped jbo 8.50-9.00 ctns bchd CA Bunched 24s 12.00 ctns 20 1-lb filmbags CA Baby Peeled 13.00 -**CAULIFLOWER:** MARKET SLIGHTLY LOWER ctns flmwrpd CA 12s 9.00-10.00 9s 8.00 few 10.50 -**CELERY:** MARKET ABOUT STEADY ctns CA 2 dz 12.00-13.00 mostly 12.00 2 1/2 dz 12.00-13.00 mostly 12.00 filmbags 24s 16.00 filmbags 30s 13.00-16.00 FL 2 dz 10.00-11.00 2 1/2 dz 10.00-11.00 MX 2 dz 11.00-12.00 2 1/2 dz 11.00-12.00 -**CHINESE CABBAGE:** OFFERINGS LIGHT celcrts FL 10.00-12.00 50 lb ctns FL Nappa 18.00 -**CORN-SWEET:** MARKET LOWER wbcrts FL Yellow 4-4 1/2 dz 10.00-11.00 mostly 10.00-10.50 White 4-4 1/2 dz 10.00-11.00 mostly 10.00-10.50 -**CUCUMBERS:** MARKET HIGHER flts/ctns flmwrpd CD CDOne Long Seedless sml 12s 6.00 few 6.50 few low as 5.00 WAXED 1 1/9 bucrts/crts FL med fair cond 15.00 fr qual fair cond 8.00-10.00 HD med fair cond 14.00 fr qual fair cond 10.00 sml fair cond few 12.00 MX med 20.00-22.00 ord qual 10.00-12.00 -**EGGPLANT:** MARKET SLIGHTLY LOWER 1 1/9 bucrts/crts MX 18s 12.00-14.00 mostly 14.00 fair cond low as 10.00 24s 12.00-14.00 fair cond 8.00-10.00 5 kg ctns NL sml 16.00 ctns/crts HD Chinese 22.00-25.00 1/2 bucrts FL Italian 7.00-8.00 Japanese 13.00 ctns/crts HD Japanese 25.00 (35 lb) 30 lb ctns HD Thai 30.00 Indian 26.00 1 1/9 bucrts FL Indian 15.00-18.00 -**ENDIVE:** MARKET ABOUT STEADY 1 1/9 bucrts/crts FL few 9.00 10 lb ctns BL Witloof 12.00 -**ESCAROLE:** MARKET SLIGHTLY HIGHER 1 1/9 bucrts/crts FL 10.00 -**GARLIC:** MARKET STEADY 30 lb ctns AG White # 6 27.00 # 7 30.00 CA White super col 24.00 super jbo 21.00 30 1-lb packages ord cond 5.00 CQ White # 10-11 packaged 6s 26.00 # 9 21.00 # 11 23.00 Purple packaged 3s 22.00-24.00 # 9 20.00-22.00 -**GREENS:** MARKET

ABOUT STEADY ctns bchd MX Swiss Chard 12s 13.00 Red 12s 13.00 TX Collard 24s 10.00 Kale 24s 10.00 Mustard 24s 10.00-11.00 Turnip Tops 24s 10.00-11.00 Dandelion 24s 9.00 Kohlrabi 24s 9.00 Swiss Chard 24s 10.00 Red 24s 10.00 ctns/crts bchd NC Collard 7.00 ctns lse CA Kale Flowering 24s 16.00 MX Kale Flowering 24s 13.00 -**LETTUCE-ICEBERG:** MARKET ABOUT STEADY ctns CA 24s 10.00-11.00 fair cond 5.00-8.00 Wrapped 24s 10.00-12.00 mostly 11.00-12.00 few 9.00 fair cond 5.00-9.00 -**LETTUCE-OTHER:** MARKET ABOUT STEADY ctns AZ Green Leaf 24s few 9.00-10.00 Red Leaf 24s few 9.00-10.00 CA Green Leaf 24s 10.00-11.00 mostly 10.00 few 11.50 Red Leaf 24s 10.00-11.00 mostly 10.00 few 12.50 3 lb ctns CA Mesculin Mix 7.00-8.00 mostly 7.00 -**LETTUCE-ROMAINE:** MARKET SLIGHTLY HIGHER ctns CA 24s 12.00-15.00 occasional high as 16.00 FL 24s 11.00 1/2 crts foil lined CA 24s 18.00 -**MUSHROOMS:** MARKET STEADY 10 lb ctns PA lge 14.75 few 14.50 med 12.00-12.25 4 qt bkts PA med-lge 7.00 sml-med 6.25 5 lb ctns PA Oyster 16.00 Portobellas 9.00-9.50 few 10.00 sml 8.00-9.00 3 lb ctns PA Shiitake 13.00 fair qual 10.00 Oyster few 12.00 ctns 12 8-oz trays flmwrpd PA 10.50-10.75 mostly 10.50 ctns 8 1-lb trays flmwrpd PA 14.75 ctns 10 10-oz trays flmwrpd PA 10.50-10.75 ctns 10 8-oz trays flmwrpd PA 9.50 -**OKRA:** MARKET ABOUT STEADY 1/2 bucrts NI sml-med poor cond 3.00-5.00 15 lb ctns MX sml-med 20.00 -**ONIONS GREEN:** MARKET ABOUT STEADY ctns bchd MX 48s 8.00-9.00 mostly 8.00 fair cond 6.00-7.00 Leeks 12s 13.00 -**PARSLEY:** MARKET ABOUT STEADY 1 1/9 bucrts bchd FL Curly 60s 11.00 Plain 60s 11.00 ctns bchd TX Curly 60s 10.00 Plain 60s 12.00 -**PARSNIPS:** MARKET STEADY 20 lb filmbags lse CD 10.00 -**PEAS GREEN:** MARKET ABOUT STEADY 10 lb ctns GU Snow Peas 9.00-11.00 mostly 9.00 Sugar Snap Peas offerings insufficient to quote -**PEPPERS:** MARKET ABOUT STEADY 1 1/9 bucrts FL Bell Type Green jbo 14.00-16.00 exlge few 14.00-15.00 lge 12.00 fair qual & cond 4.00-5.00 Mxd Red And Green lge 7.00-9.00 few 10.00 MX Bell Type Green lge 12.00-13.00 fair qual 6.00-7.00 med 10.00 Red lge fair qual 16.00-18.00 15 lb ctns MX Bell Type Red lge 28.00 5 kg ctns IS AIR Bell Type Orange 80-100mm 24.00 Red 80-100mm 20.00-24.00 Yellow 80-100mm

23.00-24.00 NL Bell Type Orange 80-100mm 29.00 Red 80-100mm 29.00 Yellow 80-100mm 27.00 -**PEPPERS OTHER:** MARKET ABOUT STEADY 1/2 bucrts FL Finger Hot 10.00-11.00 Jalapeno 7.00-10.00 Serrano 16.00 Poblano 8.00-9.00 Cherry Hots few 12.00-14.00 1 1/9 bucrts FL Poblano 14.00-15.00 8 lb ctns TT Habanero green 14.00-18.00 few low as 10.00 red 14.00-18.00 few low as 10.00 yellow 14.00-18.00 few low as 10.00 10 lb ctns FL Serrano 12.00-13.00 25 lb ctns HD Finger Hot 28.00 25 lb sks MX Ajies 20.00-22.00 30 lb ctns HD Thai Chili Hots Green 28.00-30.00 Red 45.00-50.00 40 lb ctns MX Serrano 26.00 Poblano 18.50 -**RADISHES:** MARKET HIGHER ctns tpd 30 6-oz filmbags FL Red 8.00 few low as 6.00 ctns tpd 14 1-lb filmbags FL Red 9.00 few low as 6.50 40 lb filmbags tpd FL Red 18.00 ctns bchd MX Red 24s 8.00 -**RUTABAGAS:** MARKET ABOUT STEADY 50 lb sks CD KDOne med 8.00 -**SPINACH:** MARKET ABOUT STEADY ctns bchd AZ Flat 24s 14.00 1 2/5 bucrts bchd CA Flat 24s 13.00 ctns 4 2-1/2-lb filmbags CA Flat 15.00 4 lb ctns CA Flat Baby Type 12.00 -**SQUASH:** MARKET YELLOW STRAIGHTNECK HIGHER, ZUCCHINI ABOUT STEADY 1/2 bucrts FL Zucchini sml-med 16.00 poor cond 1.00-3.00 med 12.00 Yellow Straightneck med few 16.00 4/7 bucrts MX Zucchini sml-med 14.00-16.00 mostly 14.00 med 12.00-13.00 mostly 12.00 few 14.00 Yellow Straightneck sml-med 16.00 med 14.00 few high as 18.00 -**SWEET POTATOES:** MARKET STEADY CURED 40 lb ctns LA U.S. One Beauregard med 19.00 NC U.S. One Beauregard med 16.00 -**TOMATOES:** MARKET LOWER 25 lb ctns FL 85% U.S. One or Better Mature Greens light red-red 5x6s 14.00-16.00 mostly 14.00 fair cond 8.00-9.00 6x6s 12.00-13.00 mostly 12.00 fair cond 8.00-9.00 U.S. Two Mature Greens light red-red 5x6s 12.00 6x6s 10.00 MX Vine Ripes light red-red 5x5s 14.00 6x6s 13.00 Local Repack 85% U.S. One or Better Mature Greens light red-red 5x6s 22.00 6x6s 21.00 6x7s 21.00 flts 2 1/2 yr MX Vine Ripes light red 4x5s 15.00 15 lb flts CD CDOne Vine Ripes Greenhouse light red-red 22s 15.00-17.00 mostly 15.00 5 kg flts on the vine IS Vine Ripes Greenhouse red lge fair appear 15.00 NL Vine Ripes Greenhouse red lge 18.50-19.00 7 kg flts NL AIR Vine Ripes Greenhouse light red-red lge 23.00 -**TOMATOES, CHERRY:** MARKET GRAPES TYPE LOWER, CHERRY TYPE ABOUT STEADY flts 12 1-pt bkts FL light red-red 10.00-11.00 mostly 10.00 few 9.00 flts 12 1-pt ctns with lids FL Grape Type light red-red 10.00-13.00 mostly 10.00-12.00 -**TOMATOES, PLUM TYPE:** MARKET ABOUT STEADY 25 lb ctns FL light red-red 10.00-12.00 MX light red-red 10.00-12.00 -**TURNIPS:** TOO FEW SALES TO QUOTE -**VEGETABLES OTHER:** MARKET STEADY 40 lb ctns MX Cactus Leaf (Nopales) 18.00 8 lb ctns CA Radicchio 9s 12.00

**Philadelphia Fruit**

Terminal Market

April 2, 2003

Report Supplied By USDA

**CITRUS FRUITS -CLEMENTINES:** OFFERINGS INSUFFICIENT TO QUOTE. -**GRAPEFRUIT:** MARKET ABOUT STEADY 4/5 bucrts FL U.S. One Indian River Red 23s 10.50-11.00 mostly 11.00 fair qual 9.00 27s 10.50-11.00 mostly 11.00 fair qual 9.00 32s 10.50-11.00 mostly 11.00 fair qual 9.00 36s 10.50-11.00 mostly 11.00 fair qual 9.00 40s 9.00-11.00 mostly 10.00-10.50 fair qual 9.00 48s 10.00-11.00 fair qual 9.00 -**LEMONS:** MARKET ABOUT STEADY ctns CA Shprs 1st Grade 115s 15.00 140s 18.00 165s 18.00 Shprs Choice 75s 10.00 95s 11.50-13.00 some 14.00 115s 12.00-14.00 mostly 13.00-14.00 140s 14.00-15.00 some high as 17.00 165s 14.50-15.00 -**LIMES:** MARKET ABOUT STEADY 10 lb ctns MX 42s 9.50 48s 8.00-10.00 mostly 9.00-10.00 54s 8.00-9.50 mostly 9.00 63s 8.00-9.00 40 lb ctns MX 150s 32.00-35.00 some 28.00 175s 30.00-35.00 mostly 30.00-32.00 some 28.00 200s 32.00-35.00 some 28.00 -**MISC CITRUS:** OFFERINGS INSUFFICIENT TO QUOTE -**ORANGES:** MARKET ABOUT STEADY ctns CA Shprs 1st Grade Navel 48s 15.00-16.50 56s 14.00-16.00 mostly 15.00-16.00 72s 13.00-14.50 mostly 14.00 88s 12.00-14.00 mostly 14.00 113s 12.00-12.50 mostly 12.00 4/5 bucrts FL Valencia 56s 7.00-8.00 mostly 7.00-7.50 some 10.00 64s 7.00-8.00 mostly 7.00-7.50 some 10.00 80s 7.00-9.00 mostly 7.00-7.50 some 10.00 100s 7.00-10.00 mostly 7.00-8.50 125s 10.00 -**TANGELOS:** OFFERINGS INSUFFICIENT TO QUOTE -**TANGERINES:** MARKET ABOUT STEADY 4/5 bucrts/crts FL Honey 64s fair cond 12.00-14.00 80s 15.00-18.00 cond 12.00-14.00 100s 12.00-15.00 some 16.00 fair cond 10.00 120s 11.50-14.00 some 15.00 one label 16.00 fair cond 8.00-10.00 180s 13.00 -**TEMPLES:** OFFERINGS INSUFFICIENT TO QUOTE

**BERRIES -BLUEBERRIES:** MARKET SLIGHTLY LOWER flts 12 4.4-oz cups with lids CL med 30.00-31.00 mostly 30.00 -**CRANBERRIES:** OFFERINGS NONE -**MISC BERRIES:** MARKET HIGHER flts 12 5.6-oz cups with lids GU Blackberries 21.00 flts 12 1/2-pt bkts with lids CR Blackberries 18.00-20.00 -**RASPBERRIES:** MARKET STEADY flts 12 1/2-pt bkts with lids CL Red 24.00 -**STRAWBERRIES:** MARKET HIGHER flts 12 1-pt bkts CA med-lge 13.00-14.00 mostly 14.00 one label 17.00

**MELONS -CANTALOUPS:** MARKET ABOUT STEADY 1/2 ctns GU 12s 16.00 15s 15.00 jbo crts CR 6s 9.00-10.00 9s 11.00-12.00 12s 11.00-12.00 15s 11.00-12.00 HD 9s 12.00-14.00 12s 14.00-15.00 15s 14.00-15.00 -**HONEYDEWS:** MARKET ABOUT STEADY 1/2 ctns CR 5s 8.00 6s 8.00 DR 5s 9.00 HD 5s 7.50-8.00 6s 7.50-8.00 8s 7.50-8.00 PN 4s fair cond 5.00-6.00 5s fair cond 5.00-6.00 -**MISC MELONS:** OFFERINGS INSUF-

FICIENT TO QUOTE -**WATERMELONS:** MARKET ABOUT STEADY ctns per ctn MX Red Flesh Seedless Type Long Varieties 3s 22.00 4s 20.00 5s 19.00 Round Varieties 4s 21.00-22.00 5s 20.00 Sangria 3s 22.00-24.00 4s 22.00 5s 18.00

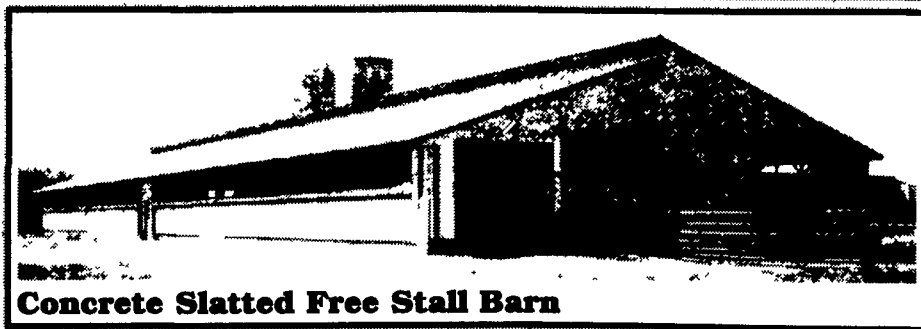
**NON-CITRUS FRUITS -APPLES:** MARKET ABOUT STEADY ctns trypk CL cat I Granny Smith 90s 22.00 CONTROLLED ATMOSPHERE STORAGE ctns trypk WA WAExFcy Red Delicious 64s 21.00 80s 19.00 88s 16.00-19.00 mostly 17.00 100s 16.50-17.00 113s 16.50-17.00 125s 17.00 Golden Delicious 88s 21.50 Gala 88s 24.50 U.S. ExFcy Golden Delicious 113s 14.00 Fuji 113s 16.00 Gala 113s 18.00 Pink Lady 88s 22.00 U.S. Fcy Golden Delicious 48s 10.00 -**APRICOTS:** OFFERINGS NONE -**AVOCADOS:** MARKET STEADY ctns 2 yr MX Hass 48s 25.00-26.00 mostly 25.00 -**BANANAS:** MARKET STEADY 40 lb ctns IMPORT 12.50 fair qual 10.50-11.50 sml 8.50-9.00 mostly 9.00 petite 13.50 40 lb ctns bagged IMPORT 11.50 -**CHERRIES:** OFFERINGS NONE -**FRUITS OTHER:** ctns 1 lyr CA Apple Pears Shinko 13s 12.00 CL Apple Pears Hosui 10s 8.00 12s 8.00 FL Carambola - Star Fruit 20s 22.00-23.00 25s 19.00 ctns 2 lyr CL Apple Pears Hosui 28s 9.00-10.00 30s few 22.00-23.00 10 lb ctns FL Guava few 26.00 -**GRAPES:** MARKET STEADY 18 lb lugs bgd CL Thompson Seedless exlge 16.00-18.00 mostly 17.00 preferred labels 22.00-24.00 mostly 22.00 lge 12.00-14.00 mostly 14.00 some 15.00 med 10.00-12.00 Flame Seedless med-lge 12.00 med 9.00-10.00 ord cond 2.00-5.00 Ruby Seedless med 14.00 White Seedless Type lge 17.00 Black Seedless lge 18.00 med-lge 14.00-15.00 med 12.00-13.00 Red Globe exlge 14.00-15.00 lge 12.00-13.00 med 10.00-11.00 Crimson Seedless exlge 19.00-20.00 mostly 20.00 lge 18.00 med-lge 14.00-16.00 mostly 16.00 med fair cond 6.00-8.00 18 lb lugs wrpd CL Thompson Seedless med fair cond 8.00-10.00 Red Globe med-lge 13.00-14.00 -**KIWIFRUIT:** MARKET STEADY flts 1 lyr IT Hayward 36s 5.00 39s 5.00 -**MANGOES:** MARKET ABOUT STEADY ctns 1 lyr MX Ataulfo 14s 9.00 16s 8.00-10.00 fair cond 4.00-5.00 18s 8.00-9.00 mostly 9.00 few 7.00 fair cond 4.00-5.00 PR AIR Keitts 10s few 8.00 Tommy Atkins 10s few 8.00 14s few 7.00 -**NECTARINES:** ctns 2 lyr trypk CL Various Yellow Flesh Varieties 30 series ord cond 3.00-5.00 40 series ord cond 3.00-5.00 50 series ord cond 3.00-5.00 -**PAPAYA:** MARKET STEADY 40 lb ctns DR Green Cooking Type 18.00-20.00 FL Green Cooking Type 20.00 3.5 kg containers JM Strawberry 6s 5.00 4 kg containers BR Red Flesh 10s few 9.00-10.00 BZ Sunrise 8s 9.00 9s 9.00 MX Sunrise 9s 8.50 35-40 lb ctns BZ Maradol 24.00 MX Maradol 18.50-20.00 -**PEACHES:** MARKET STEADY ctns 2 lyr trypk CL Various Yellow Flesh Varieties 40 series 12.00 Various White Flesh Varieties 30 series

(Turn to Page A13)



477 East Farmersville Rd.  
New Holland, PA 17557

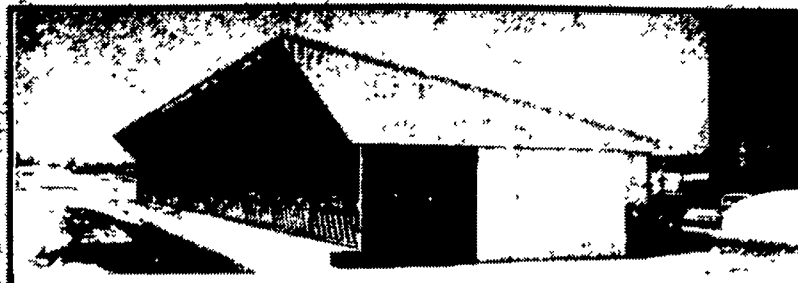
(717) 355-2361



Concrete Slatted Free Stall Barn



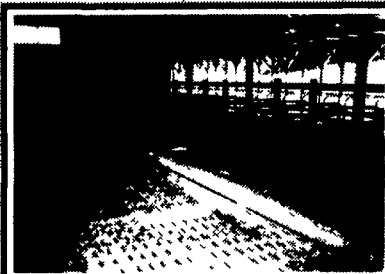
Slatted Beef Barn



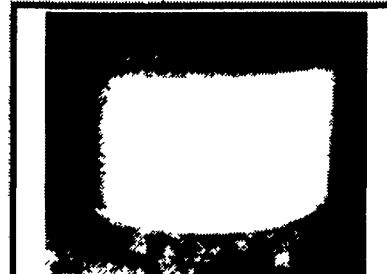
Slatted Heifer Barn



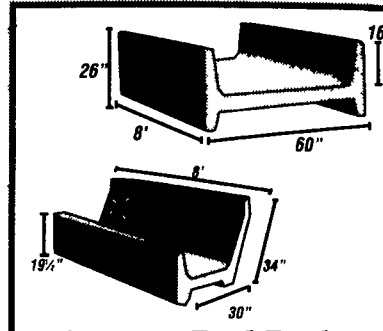
Precast T-Wall Concrete Bunker Silos or commodity buildings built to suit your needs. Bunkers available in 8 Ft. or 12 Ft. High.



Slatted Free Stall Barn



Round Concrete Watering Troughs, SCS Approved



Concrete Feed Bunks

Robert Fulton Fire Co

Hay, Straw & Grain Auction  
Every Thursday 10 am  
Located on the corner of RT 272 & 222 at Wakefield, PA  
717-548-2492  
717-548-2371  
Randall Ranck  
Auctioneer 003117-L  
Consignments Wanted

No Out of State Checks