

**1 FARM EQUIPMENT**

JD 215 flex grain head w/Peque head wagon, \$3,900. 410-848-7902.

JD 7200, 6R dry N.T. sharp! \$12,500 (3) JD 7000's 6P \$2,500, \$2,950, \$3,500; White 5100 Late Mdl 4RN \$2,850. Zeisloff Eq. 800-919-3322

1974 Intl dump Load Star 1800, pipe threader to 4', JD 550/555G winter fan. JD 410 b/c ripper tooth. 3pt hitch dmp cart. 3pt hitch 12" 1 bottom plow. Make offer 215-679-5372

JD 7000 corn planter, 4R-36", dry fert & insect boxes w/monitor, many new parts, field ready. \$4000. CIH 950 corn planter 4R-36", dry fert & insect boxes w/monitor, planted 300 ac, \$7,500. Union Co, Pa 570-966-4068

RIGHT OFF TRUCK! One time only, 1982 6620 Lev-eland, nice combine, I bought 'er right! \$13,250 FIRM 4.9% fin. & deliv. No Haggle Here! Zeisloff Eq. 800-919-3322.

NH 851 round hay baler, good condition, used very little, \$5200. 609-298-7444

JD 3960 chopper, \$2500. (2)JD 122 chuck wagons, \$1200/ea. JD 7000 4R corn planter, \$2500. All pcs good shape. 301-293-3661

JD 456 4X5 round baler, wide pickup, floatation tires, bale density kit, twine only, Ex cond, less than 2,500 bales, \$12,000/obo, 814-967-2907 or 814-720-5712

JD 4640, 3,000 hrs, \$24,500 obo. Krause Landsman 24', \$15,900 obo. eves 215-794-8786, days 267-716-4116.

NH manure spreader, md 302 side delivery, exc cond, 570-458-5193.

NH #7 forage wagon, good condition, \$400 OBO. 717-285-5181

JD 3020 diesel, 6,000 hrs, wide front, make offer. 717-532-7977.

Allied 450 frontend loader, \$500. 814-479-9219

'96 Cat forklift, 5,000 lb, triple mast, 15", rubber tires, gas/propane, exc cond, \$8,500. 717-382-4139.

HAY EQUIP-NH 853 round baler. NH 489 haybine. Pequea HR10 hay rake. Peaquea hay tedder. All good to very good cond. Call for pricing 301-607-4399 or 301-748-4131

JD 8' 3pt hitch finish mower, fair condition, \$400 OBO. 610/593-6206 after 6pm

JD 4840 tractor for sale by farmer. 717-765-4270

Yetter weight transfer bar (coultter cut), 570-275-3088

JD 346 wire baler with 1/4 turn chute, \$2500. 610-932-5576

IH Hydro 86/84/656, hydro 70 w/cab, \$5000; 2000 IH MX110 MFD, cab, air. 717-687-0792

VEGETABLE EQUIP-MENT: JD 6200, CIH 5120, both tractors have creepers & narrow tires. (2) Boots sweet corn harvesters, 2R machines, same as hand picked. 4 1 0 - 7 7 8 - 4 8 3 3 . 410-708-5000.

JD 2755, 4wd with hi-lo & 245 loader, \$18,500. 419-895-2324

Gandy fertilizer spreader, 4' wide, exc. cond., \$500. 3pt hitch Christmas tree planter, made in Galeton, PA, \$500. 610-777-4515

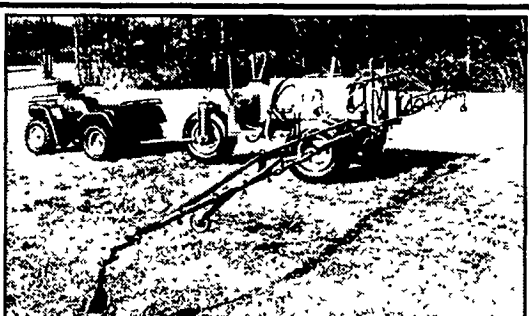
McCormick Farmall cub tractor w/cultivators, pto, runs good, \$1,500/obo 609-268-1191

JD 1936 model B, w/cleat wheels, 9.5hp. Restored. 570-759-9922.

Ford 801, 4 spd, w/ frontend loader, power steering. 215-646-6873

Sunflower 25' Soilfinisher, late mdl, \$11,850; NOT HERE YET. Call 1st. Zeisloff Eq. 800-919-3322.

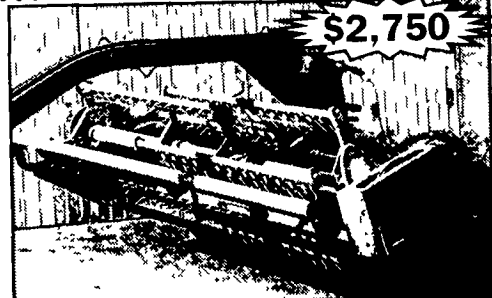
Manure spreaders, NI ground drive 284-wheel, 45-100 bu. 570-658-9098



**TOO WET TO SPRAY SMALL GRAIN?**  
The ATT-150 TRIC Sprayer Solves The Problem

- ◆ Accuracy - John Blue ground drive metering pump
- ◆ Flotation - huge 13.5 x 15 tires float across wet, soft ground
- ◆ Efficient - 30' & 40' booms eat up the acres
- ◆ Convenient - 150 gallon low profile tank & 3 section boom control

**MID ATLANTIC SERVICES**  
505 Blue Ball Rd., Elkton, MD 21922  
800-637-0050



**N.H. 499 Hydra Swing Haybine**  
12ft cut, good running condition, nice  
**717/354-9152**



**1998 NH 6635 tractor** 1438 hrs, cab, 4x4, wldr, 24x12 trans w/shuttle, 2 outlets, 3pt, Ex cond, **856-769-0787**

**TRACTORS**  
MI 4270 4WD 12x12 shuttle trans 110HP 1998 w/1 000 hrs  
MI 1085 w/cab 8 spd 80HP vry clean tractor  
MF 285 w/cab good tires 50 HP  
MI 398 80 hp turbo w/creeper trans  
MF 385 8 spd wet brakes 65 hp w/toll bar  
MF 245 dsl narrow vineyard 46"W  
MF 165 dsl tractor good rubber  
MI 150 gas rebuilt eng new tires & new paint  
(2) MF 135 dsl new paint & tires sharp

**LOADER**  
MF 832 qnt k tach loader

**EQUIPMENT**  
New & used 6 3pt snowblowers  
18 4x38 Snap on duals  
Brillion 4 ft Packer pups  
MF 880 4x18 spring reset plow  
MI 28 3 bottom plows  
MF 2 row corn planter  
King cutter 6 finish mower  
MF No 31 & 41 3pt sickle bar mower 6 & 7 ft  
Brillion & JD cultipackers 8 10 12 14 & 16 ft & diff sizes  
New farm gates & hay feeders

**Large selection of used MF Tractor Parts**  
20 30 33 40 50 65 85 90 135 150 165 175 178 180 265  
270 283 285 290 298 383 390T 399 1080 1085 1100  
1130 1105 1135 1150 1155 2675 2705 2715 2775 2805  
3090 3545 3660 3680 4235 4WD 5160 MH Pony 22 30 44  
101 Jr Balers 3 12 & 124 MF 50 HX 4WD

**MF Compacts For Parts**  
205 220 1020 1030 1035

We Stock New MF Water Pumps Power Steering Pumps Hyd Pumps Clutches Spindles Rebuilt Starters Seats Filters & Many Other New Items

**Recent Arrivals For Parts**  
MF 135 30 165 3650 3545 220 135 65 35 (2) 1100's 180  
8160 4235 1035 4WD 135 20 165

**Used Brillion & JD Cultipacker & Cultimulcher parts**

**NOLT'S EQUIPMENT**  
403 Centerville Rd. Newville PA 17241  
off 81 exit 37 2 miles N on 233  
**(717) 776-6242 No Sunday Calls**  
No Out-Of-State Personal Checks We Ship UPS



**NH 40 Blower**  
Like New \$3,000



**JD 3970 Harvester**  
Like New. \$12,500



**JD 716A Wagons**  
Good Condition. Ea. \$4,250

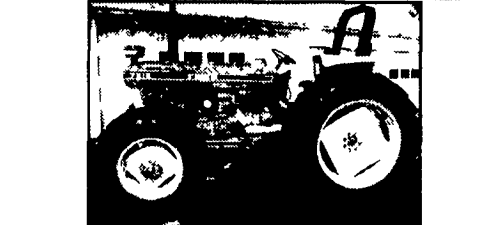
**717-328-2881 or 717-597-9516**

**Belarus SALES - SERVICE FULL LINE OF PARTS IN STOCK**

**Used Belarus Tractors**  
Model 800M, 2WD, 300 Hrs. . . . \$12,500  
Model 825, 4WD, w/cab, 450 Hrs. . . . Call  
Model 532, . . . . . \$9,500  
Model 530, 2WD, (New) . . . . . \$10,500  
Model 250 AS, w/Loader. . . . . \$6,500

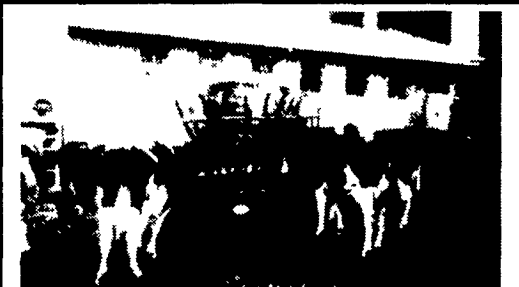
**CLEARANCE SPECIAL**  
Power Steering Pump for Belarus 250

**ROVENDALE AG & BARN EQUIP.**  
WATSON TOWN PA 17777  
570-538-9564 OR 570-742-4226  
I-80 to I-180 Watsontown Exit



- Ford 7610 II 4 WD, 3500 hrs., EX cond. . . . . \$13,500
- JD 2240 3500 hrs., V. Nice. . . . . \$9,000
- JD 770 4 WD, belly mower, 300 hrs, same as new . . . . . \$9,000
- JD 755 4 WD wldr., 60" belly mower 1400 hrs., clean . . . . . **SOLD** \$9,500
- IH 234 Hydro w/60" belly mower, Ex. Cond. . . . . \$4,500
- Ford 3910 w/Qt Loader, 3500 hrs. Ex. cond. . . . . \$11,000
- Ford 4000 SU, wldr., gas, G. Cond. . . \$7,500
- NH 2120 4 WD wldr., 700 hrs., like new . \$15,500
- MF 240 600 hrs., excellent. . . . . \$10,500
- Kubota KX41-2 Excavator w/rubber tracks, 600 hrs., like new . . . . . \$12,500
- Kubota B21, TLB, 825 hrs., like new . . \$17,500
- Kubota B21, TLB, 1300 hrs., Clean. . \$15,500
- Kubota M7500 low profile, orchard fenders, 70 HP 371, clean . . . . . \$6,500
- Ferguson TO 30 g cond . . . . . \$2,500

**OTHERS AVAILABLE CALL SCOTT BOND**  
325 County Rd. 579 Ringoes, N.J.  
**908-782-7658**



**J & L Hay-Saver Feeds 20 Cattle**

New, improved, round hay-bale feeder feeds large or small hay bales along with square bales University proven hay savings This feeder is built of heavy 1 1/2 pipe and heavy steel for ring Available with 3/4" plywood floors This feeder is built to last  
**J & L Equipment**  
156 Pompey Hill Road, Stoystown, PA 15563  
**814-893-5086**



Ringoes, New Jersey • 908-782-5283 (after 6pm)  
Buy/Sell/Trade • Specializing in Compact Tractors & Equipment



JD 6x4 Gator, Elec. dump, Bedliner, ROPS, Clean

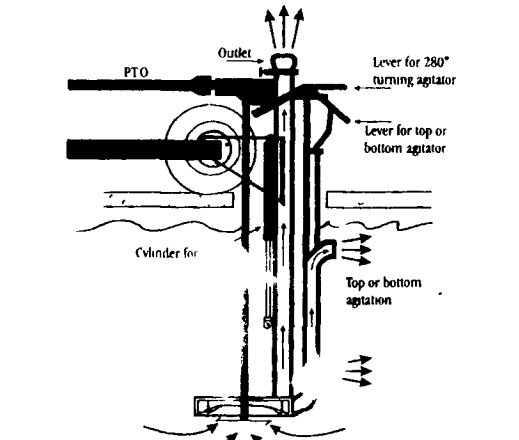
- Ford 1520 w/loader belly mower 4 WD, hydro, PS, great shape **\$10,900 NOW \$9,900**
- Ford 2000 gas, 8 speed PS, Rops, w/canopy new rubber & paint **\$6,950**
- Kubota B6100 2 wd, Gear, 3 pt PTO **\$2,450**
- Kubota B21 TLB, 1999 1000 hrs NICE **Call**
- Kubota L2850, 2 wd, PS 3 pt hitch, PTO, turf tires **\$6,500**
- JD 1050, 4wd Ldr, backhoe, pwr steering, only 1200 hrs **\$13,750**
- JD 755 4wd, hydro, 60" belly mower 650 hrs (new Swartz loader available) **\$7,500**
- JD 950, 4wd, power steering, #80 QT loader, 1100 hrs, clean & nice **CALL**

**Collectors**  
McCormick Deering T20 (1932), trac tractor crawler, SS#1843, ready for restoration **\$2,500**  
1952 Ford 8N Restored EX **\$3,000**

- USED TRACTORS**
- IH 1066, Cab & Air, Dual Hydraulics, 5000 Hrs, Sharp . . . . . \$10,500
  - IH 1466 . . . . . \$8,800
  - IH 1066 . . . . . \$7,200
  - IH 1466, Rebuilt engine . . . . . \$12,000

- USED EQUIPMENT**
- New Idea 5209 Discbine, Sharp! . . . . . \$8,900
  - NH 892 Harvester w/Table . . . . . \$4,800
  - NH L452 Skid Loader w/Wisconsin Engine . . . . . \$4,750

**- Liquid Manure Pit Pumps -**



- Available 6-8-10-12 ft.
- Trailer mounted mobility
- Hydraulic lift
- 5 mple controls
- Dual agitation

**MILLER'S REPAIR**  
1 Mile North of Bird in Hand  
8 Miles East of Lancaster  
Ph. 717-656-6109