

**1 FARM EQUIPMENT**

Case IH 5240 4WD, open station w/CIH 520 loader, self-leveling, joystick, \$19,900. 570/966-9893

JD M, 1949, 3pt adapted, restored, \$2800. York Co. PA 410/299-6898

JD 1219 haybine, nice cond, field ready, \$2800 obo. NI 2RN corn picker, w/super sheller, low acreage, shed kept, \$1400 obo. '74 Chevy 1-ton stake w/rebit eng & front end w/possy rear, \$1250 obo. 315-858-9141 All Located in Cecil Co., MD

4020 JD, NFE, 18.4x38 tires, gas, just rebuilt electronic ignition, great puller. 814/443-1855

IH 35 5 bar hdy rake, \$1,250. NH 163 hay tedder, \$1,250. Vermeer 604 round baler, new belts last season, \$9,600. Hesston 391 18 wheel rake, \$6,800. 908-996-3900

NH 1441 discbine 15'6", used 1yr, Ex cond \$18,000. (2) 100 gal fert tanks for IH planter, 717-278-5172

Potatoe equip, 2R McConnel-Utah havestor, some belted chain, steerable axle, hyd drive, field ready. 2R Lockwood windrower, steerable axle, field ready, del poss. 814-590-6395/814-472-4198

NH 354 grinder mixer, \$3000 obo. 215-721-1346

4' wide Sweepster w/5hp B&S engine, very good cond., new price \$2495, sell for \$850 OBO; 18' farm wagon on rubber \$285; NH 56 rake \$875. 717-354-7738

Like new 258 rubber teeth rake, \$2,300. New CIH 30' trailer wrapper, \$11,900. 570-222-9090.

New pr of tire chains for 17.5Lx24 or smaller, includes 6 new cross links & set of new tire chain adjusters. \$270. 610-820-3983.

Lucknow 285 TMR mixer wagon, \$7250. Agri-metal 5500 bale grinder, \$8000. Both G cond. Leb Co 717-867-4825

John Deere 10, 20, & 30 series tractor parts, used & new. We ship. 800-730-4020.

IH Cub Cadet's 106 108 GC mow fine choice, \$300. 215-654-0344

MF 4255, 95hp, 12 spd shuttle, 4x4, cab, ldr, 800 hrs, new warranty, \$44,000. 570-222-9090.

NH Windrow inverter, mdl 144, hyd drive belt & lift, 2 gauge wheels, Good cond, field ready, 814-590-6395/814-472-4198

Oliver Super 88 gas, sand fenders on steel, running cond., \$2000. Call Mon. 8:00-8:15 AM 610-932-8967

We aint too smart up here, but we knows that if the price is right ya can sell combines in Feb. Fancy 1987 6620 Titan II Sidehill reduced \$3,000; IH 1440 fresh from field \$2,500. Power. Steal these- JD 4420 \$3,900, Gleaner F2 \$3,900, Gleaner K2 \$3,500, MF860 4x4 \$6,500, MF 550 Hydro \$3,500, JD 4400 \$1,500, JD 7700 \$3,500 & more & more, Call! 4.9% financing, Zeisloff Eq, 800-919-3322, Rt 44, Jerseytown, PA 'Let's Turn This Trash into Cash'

3 pt hitch Holland transplanter, take your pick, \$850. 570-222-9090.

Chain driven manure spreader \$350/OBO; 3yr old saddles \$100. 2-1 5 - 3 6 2 - 5 2 3 3 .

14 ft grain sides end gate for midwest body, best offer. 3 pt 6 row 183 IH cultivator best offer, 610-759-0486

(2) JD hyd reset plows, semi-mount 16' hillside hitches 5&6 btm. (1) pr 18.4x38 snap on duals w/ clamps. 18ft Buster bar for disc or field cultivator Del poss, 814-472-4198/814-590-6395

Mower, 10 ft. Bush Hog w/New Blades . . \$2,000  
 (2) 11 ft Hwy Wing Plows, Like New \$400/each  
 CAT 40, Pull Type Pan, All Hydraulic \$4,000  
 (2) Miniature Loader/Dozer Trac Type Machines, Gasoline Powered, Full Hydraulic, One Restored, One Unrestored \$4,000/for the pair  
 Mack 'U' Model, 10 Wheel Dump, 237 Triplex . . \$5,000  
 10 ft Heavy Duty Rhino Mower, New . . \$5,500  
 5-6 Cubic Yard, Hopper Cinder Spreader, All Hydraulic . . . . \$500  
 CAT 'D8', '2U' Tractor & Cab w/CAT 60 Scraper \$5,000  
 Parker Trommel Screener 5x20, Diesel Power, Portable \$20,000

610-869-8971

**Cub Cadet** **HESSTON**  
 Power Equipment **KUBOTA**  
 Nobody knows hay like **HESSTON**  
 Kubota: Nothing like it on earth.™

**Open House**  
**February 17-22, 2003**

**USED EQUIPMENT**

Ford 8N, Good Condition  
 IH 2656 Gas Hydro  
 Clark Forklift 4000 Lb., 2 Stage, Rebuilt Engine  
 Yale 8000 Lb Forklift, 2 Stage, Chrysler Engine  
 NH 489 Haybine  
 NH 411 Discbine, 1000 RPM, Reconditioned  
 NH 255 Tedder Rake  
 Kuhn FC 350 11 1/2' Finger Disc Conditioner  
 Kuhn FC 300 Disc Conditioner w/ Rolls  
 McFarland 24' Hyd. Fold Chain Harrow  
 McFarland 16' Hyd. Fold Chain Harrow

**LAWN & GARDEN**

X Mark 26 hp, 60", 1070 Hrs.  
 Steiner Boom Mower  
 Steiner 420, 20 hp, Onan, 60" 4x4  
 Steiner 220 Dsl., 21 HP, 60"  
 Steiner S20 4x4, New Kubota Gas Engine  
 Yazoo 26 hp Dsl., 60", 15 Hrs  
 Grasshopper 725-G2, 61", 2000, 600 Hrs.  
 Grasshopper 725, Gas, 52" w/catcher  
 Grasshopper 721D 21hp Diesel, 1450 Hrs.  
 Grasshopper 225 25hp, Mid Mount w/Catcher  
 Grasshopper 1412, 14hp, 44"

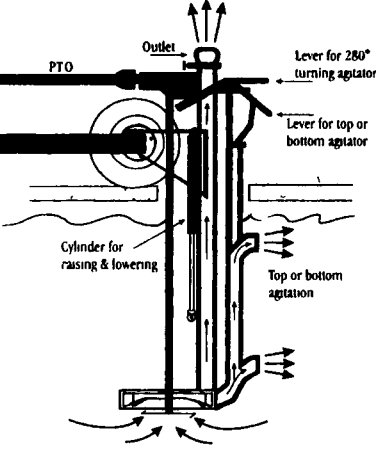
**STOLTZFUS FARM SERVICE**

Cochranville, PA 610-593-2407  
 www.stoltzfusinc.com  
 Click dealer classified for Trade-ins

**USED TRACTORS**  
 IH 1066, Cab & Air, Dual Hydraulics, 5000 Hrs, Sharp.....\$10,500  
 IH 1466.....\$8,800  
 IH 1066.....\$7,200  
 IH 1466, Rebuilt engine.....\$12,000

**USED EQUIPMENT**  
 New Idea 5209 Discbine, Sharp!.....\$9,200  
 NH 892 Harvester w/Table .....\$4,800  
 Vermeer 504H Baler, Nice .....\$5,800  
 Case IH 8420 Baler, Like New.....\$7,000  
 NH L452 Skid Loader w/Wisconsin Engine .....\$4,750

**- Liquid Manure Pit Pumps -**



- Available 6-8-10-12 ft.
- Trailer mounted mobility
- Hydraulic lift
- Simple controls
- Dual agitation

**MILLER'S REPAIR**  
 1 Mile North of Bird in Hand  
 8 Miles East of Lancaster  
 Ph. 717-656-6109

**1962 MF 65 Diesel,**  
 completely restored, \$6,500  
 MF Front End Plow.....\$395  
 (570) 435-3391

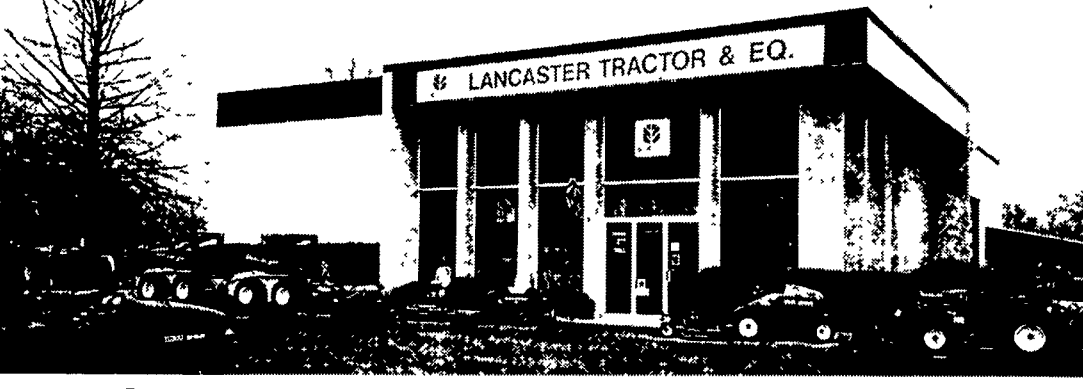
**JD 3940 harvester**  
 (2) Gehl 960 silage wagons  
 Automatic roller mill mdl 400  
 Omaha standard flatbed, 88"x108"  
**717-336-6947**

**ELEVATORS**  
 Well Balanced, Ruggedly Built  
 For Many Years Of  
 Trouble Free Service

**Conveyor with Durable Belt  
 for Loose Material - Mulch,  
 Sawdust, Poultry Litter, etc.**

**ZIMMERMAN**  
 MANUFACTURING LLC  
 125 KING COURT • NEW HOLLAND, PA 17557-9212  
 717-354-9611 • Toll Free (877) 456-7126

- Contact Us For Literature  
 Or Call Your Nearest Dealer
- PENNSYLVANIA**  
 BHM Farm Equipment, Inc. Annaville  
 Binkley & Hurst Rothsville  
 Eckroth Bros. Farm Equipment New Ringold  
 Hooper, Inc. McAlisterville  
 Messick Farm Equipment, Inc. Elizabethtown  
 Miller's Repair Bird-In-Hand  
 Northeast Distributor Clifford  
 Zimmerman Farm Service Bethel
- VIRGINIA**  
 D.J. Implements Dayton
- WEST VIRGINIA**  
 Ruddle Farm Service Franklin
- MARYLAND**  
 Hines Equipment • Union Bridge
- NEW JERSEY**  
 D&R Equipment • Ringoes
- NEW YORK**  
 Bechards Farm Equipment Champlain  
 Empire Tractor • Waterloo  
 Main & Pinkney Equip., Inc. Aurburn  
 White's Farm Supply, Inc. Lowville



**CHECK THE SPRING SPECIALS  
 AT  
 YOUR LANCASTER COUNTY'S  
 OLDEST TRACTOR SPECIALIST.**

Lancaster Tractor & Equipment Is In Full Swing  
 In All Departments With Specials To Get You  
 Started With Your Spring 2003 Work.

**SERVICE SPECIALS - PARTS SPECIALS - SALES SPECIALS**  
**The Entire Month of February**

**LANCASTER TRACTOR & EQUIPMENT, INC.**  
 1655 Rohrerstown Road • Route 741  
 Just off Route 283  
 Lancaster, PA  
 Phone 717-569-7063

**NEW HOLLAND CREDIT** **NEW HOLLAND**

*For Service that does not stop at a Sales Promise*