


BUSH HOG SALTZGIVERS
TRACTOR REPAIR
 1757 Baltimore Pike, Hanover, PA 17331
NEW & USED TRACTORS
AND EQUIPMENT
BUSH HOG MOWERS & LOADERS
717-632-9119

Ford TS 100	Used Bush Hog 2512
MF 205 w/Belly Mower	12' Pull Type
2WD	Ford 2000 Gas,
Ford 4600 SU DSL,	3-Cylinder, Live PTO
52 hp	Ford 2000 Gas,
Ford 4000 All Purpose	4-Cylinder
Dsl, 52hp	Ford 8N
Ford 1520 4 WD	
w/Loader	



J & L Hay-Saver Feeds 20 Cattle

New, improved, round hay-bale feeder feeds large or small hay bales along with square bales. University proven hay savings. This feeder is built of heavy 1 1/2" pipe and heavy steel for ring.

Available with 3/4" plywood floors. This feeder is built to last

J & L Equipment
 156 Pompey Hill Road, Stoystown, PA 15563
814-893-5086

USED TRACTORS

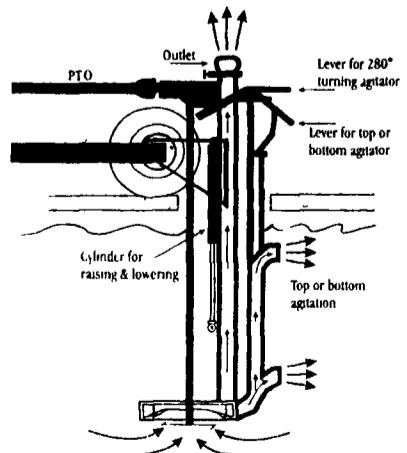


IH 1066, Cab & Air, Dual Hydraulics, 5000 Hrs, Sharp	\$10,500
IH 1466	\$8,800
IH 1066	\$7,200
IH 1466, Rebuilt engine	\$12,000

USED EQUIPMENT

New Idea 5209 Discbine, Sharp!	\$9,200
NH 892 Harvester w/Table	\$4,800
Vermeer 504H Baler, Nice	\$5,800
Case IH 8420 Baler, Like New	\$7,000
NH L452 Skid Loader w/Wisconsin Engine	\$4,750

- Liquid Manure Pit Pumps -



• Available 6-8-10-12 ft. • Trailer mounted mobility
 • Hydraulic lift • Simple controls • Dual agitation

MILLER'S REPAIR
 1 Mile North of Bird in Hand
 8 Miles East of Lancaster
Ph. 717-656-6109

DON'T MISS A GOOD OPPORTUNITY TO OWN A NEW CASE IH SQUARE BALER AT DISCOUNTS PRICES

ONE ONLY EACH MODEL IN STOCK AT SPECIAL NO-TRADE PRICING!

1 NC 6271 SBX 520 with 540 PTO, HP Requirement 35 PTO, 14x28 Bale Size with 65" Wide Pickup with Hyd Lift or Manual Lift, and Hyd Tongue Swing, 79 SPM with 4 Ball Twine Capacity, **No Thrower with Bale Chute & Wagon Hitch.** Set Up ready to Tow Away! **No Trade Finance Price Only \$10,800**
 0% for 36 Months OR 1.9% for up to 60 Months
Cash or Competitive Variable Rate Price Only \$9,850

2 NC 6271 SBX 520 with **Thrower & Wagon Hitch.** Equipped with Mechanical Tongue Hitch Swing and Pickup Lift **Low Rate Finance Price Only \$13,900**
 0% for 36 Months OR 1.9% for up to 60 Months.
No Trade Cash Discount Price FOB ONLY \$12,900

sitrex



Swinging Arm Fertilizer Spreader
 1400 Lb. and 2000 Lb. Models In Stock

WIDE-JAW GRAPPLE BUCKETS

BENEFITS

- Higher productivity over regular buckets
- More capacity per cycle with 43" wide jaw opening
- More versatility - bulky materials can now be carried with ease
- Heavier construction ensures that the grapple bucket can take multiple-shift workdays
- Many uses - Brush, tires, cardboard, paper, scrap metals, construction materials, logs, and lumber

Universal Skid Loader Mount ATT Buckets with Hydraulic Grapples
66" \$2,150 (E10941) 72" \$2,295 (E10942)

PLEASE COME & TAKE A LOOK AT ONE OF THE BEST TRAILERS MADE ON DISPLAY

Made in Lancaster County, PA

PEQUEA Tradition in Progress

Deck Overs w/Flip Tail Hay Hauler Special

Optional Slide In Ramps

Skid Loader Models

82" Inside Fender Width Deck Overs

Call **Binkley & Hurst Bros.**
Your Source For Quality Grain Handling Equipment

A premium quality galvanized auger designed for low maintenance operation.

Mayrath introduces the all new "InLine Drive" series of portable grain augers. Mayrath has combined operational efficiency with long term dependability providing you with a high quality, GALVANIZED auger at a very affordable price. The revolutionary "InLine Drive" system minimizes the number of moving parts greatly reducing costly downtime and maintenance in the future.

Mayrath InLine Drive

REDUCED FOR WINTER CLEARANCE!

Binkley & Hurst Bros. introduces The "All Purpose Spreader"




Skid Loader Mounted (Universal Hook-up), Hydraulic Driven, Unloads Right or Left, Can Be Used To Spread Bedding Or Feed Silage Etc
Simple Cost Efficient Design

Early Bird Gets the Bargain! Was \$3,450
CASH & CARRY \$2,950

See Binkley & Hurst Bros. For Rubber Tire Scrapers

Unloader Quick Tach and 3 Pt. Most Models Have Optional Reverse Edge Back Scraper to Clean Out Corners



Purchase a Long Lasting Scraper Today!

Brand New RJ X-Fold Packers In Stock. Narrow Transport at Economy Price



Super Deal On New 21 Foot & 23 Foot X-Fold Packers IN STOCK!

Forks for Skid Loaders, Tractor Loaders, Articulated Wheel Loaders

(The Original) Works Better - Made of Better Steel to Last Longer



Fill... The ridge between the tine tips and the container unit prevents collected stones from falling out while new ones are being collected

For Perfection In Full Seed Bed Preparation You Need To See Binkley & Hurst Bros.

For a Perfecta II. 100's Sold - They Work!



Economically Priced For The Job They Do.

Sizes As Small As 10 Foot Up To Hydraulic Fold, 28' Models

Heavy duty twisted S-tines are available for heavier soils or dense residue.

Heavy springs maximize roller penetration, prevent damage.

We Have Buster Bar Equipment In Stock!



To fit Disk Harrows, Field Cultivators & More Ask for Amos Sr

BINKLEY-HURST BROS. INC.

133 Rothsville Station Rd.
 P.O. Box 0395
 Lititz, PA 17543-0395
 (717) 626-4705
 1-800-414-4705

Fax 717-626-0996


WE GOT IT! See BINKLEY & HURST BROS. INC. For NEW HIGH QUALITY GEHL SKID LOADERS

SKID LOADERS THAT GET THE JOB DONE!

From little to big Binkley & Hurst Bros. offers high quality Gehl Skid Steer Loaders and with Backhoe Attachments & More!

Before you purchase or lease your next new LARGE SKID STEER LOADER, you need to see Binkley & Hurst Bros. Inc. for the **WORLD'S BIGGEST, STRONGEST, FASTEST SKID LOADER!**

NEW MODELS
 7600 95HP • 7800 110 HP



GEHL

12' Lift Height
 Operating load capacity up to 3,600 lbs

1 MODEL 7800 DEMONSTRATOR
 Always Check In Quality Gehl Skid Loaders!

THIS GEHL SL6635 IN STOCK WITH FULL CAB & HEATER!

Before You Purchase a Large Long Wheel Base Skid Loader from Anybody Else, Try This Dual Hand Control Loader with Up to 5300 lbs. with Counterweight.

Check Out Long Wheel Base...



80 HP Turbo GEHL Model 6635 SXT


at Binkley & Hurst Bros. Inc. with 0% Financing for 36 Months with Credit Approval!

Check Out These 2-Speed Power Shift Machines with up to 12-1/2 MPH Travel Speed Cylinders with Nitro Steel Superior Corrosion Resistance!

Get a Gehl Today!

GEHL SPREADERS IN STOCK AT BINKLEY & HURST BROS. INC. TOW ONE AWAY TODAY!

For The Small Farmer - Need An Inexpensive Economy-Priced Small Box Spreader? Gehl Model MS 1217



Get a Gehl from Binkley & Hurst Bros. - Check Out Our Fine Features. 217 Bushel Low Profile.

Binkley & Hurst Bros. Inc. Has a New Gehl 1410 Box Spreader In Stock for a Reliable Performer and Great Price!



410 Bushel Rating with Hyd Endgate Built to Last with a 12-Year Guarantee

See Binkley & Hurst Soon!

BINKLEY-HURST BROS. INC.

133 Rothsville Station Rd.
 P.O. Box 0395, Lititz, PA 17543-0395
 (717) 626-4705 1-800-414-4705 Fax (717) 626-0996

MasterCard, Visa, Discover, American Express, Farm Plan