

## Penn State College Of Ag Sciences Gears Up For Farm Show

HARRISBURG (Dauphin Co.) — The 2003 version of the Pennsylvania Farm Show will be bigger and better than ever — expanded from six to eight days and taking place in the newly renovated and greatly expanded complex — and Penn State's College of Agricultural Sciences will take advantage of the broader stage to show off what it has to offer students.

As usual, the college will play a big role in the annual showcase of the state's number-one industry — agriculture — Jan. 11-18. Visitors will see evidence of Penn State's involvement in virtually every area of the sprawling complex. Throughout the Farm Show, more than 100 Penn State faculty and extension educators will assist with livestock and commodity judging for everything from dairy cattle to maple syrup to mushrooms. Their duties include weighing in animals, handling entry registration and answering questions from the public.

The college's exhibit and the horticulture department's display — side by side in a new location in the Main Exhibit Hall — have been revamped. The college booth is focused on recruiting students by showing the diverse curricula available. The horticulture display will include an "Ask the Experts" forum where visitors can get their home and garden questions answered by horticulture specialists, master gardeners and extension agents.

The Penn State 4-H display in the Family Living Complex will tell the story of what it is like to be a 4-H member. Current 4-H members will be there to talk to youths about joining the organization and 4-H alumni are encouraged to stop by, say hello and sign up to receive a newsletter.

At the college's exhibit, the public can learn about a variety of programs and talk to faculty and current students about their academic experiences. The College of Agricultural Sciences has the largest scholarship program at the university, and staff will be on hand to talk with prospective students about admission to Penn State, financial aid and scholarships, changing location to main campus and any other questions about student life at Penn State.

Also featured will be the Penn State Pullers, 1/4-scale competi-

tion tractors designed and built by agricultural engineering students, hands-on activity tables with interactive experiments and games involving everything from wildlife, to animal sciences, to food science, to horticulture and crops and soils. The public is encouraged to take a few minutes to relax and watch the continuously playing videos about international study opportunities offered by the college and about Ag Progress Days, one of the largest outdoor agricultural shows in the East.

Information about all majors will be available, and visitors will have opportunities to talk one-on-one to college officials and ask questions about financial aid, academic programs and cooperative extension.

For more information, visit the Web at <http://www.agriculture.state.pa.us/> and click on the Farm Show 2003 link.

## Holden To Be Keynote Speaker At PennAg Democrats Breakfast

HARRISBURG (Dauphin Co.) — The PennAg Democrats, Pennsylvania's Democratic Farming Organization, announced that Congressman Tim Holden will be the keynote speaker for its 2003 Annual Fundraising Breakfast, at the Farm Show Complex Monday, Jan. 13, at 8:30 a.m. in Meeting Room B.

"Congressman Tim Holden (Pennsylvania's only Congressman on the House Agriculture Committee) will be giving us an update on the key agriculture issues before Congress. We have asked the Congressman to update us on Farm Bill implementation and areas where he needs our input and support," stated Doug Kilgore, PennAg Democrats president.

Congressman Holden reinforced the benefit of such forums for obtaining feedback on what agricultural programs are working for producers and which need to be improved or changed. Congressman Holden said "Farm

Show offers the best opportunity to interact with the largest number of farmers in one place outside of a Farm Bureau Convention."

Congressman Holden "likes to meet with farmers and rural residents in order to get a true understanding of how programs are being implemented at the county level," according to spokesperson Trish Reilly-Hudock.

"Besides, Farm Show has great food and excellent exhibits and animals," said Reilly-Hudock. "The Congressman is looking forward to touring this year's show in the newly expanded facility."

The annual breakfast serves as the organization's primary fundraiser. Individual attendees pay \$25 each. For more information and to reserve a seat, contact Doug Kilgore, PennAg Democrats president, at (717) 862-3117 or [kilmcfarm@supernet.com](mailto:kilmcfarm@supernet.com). All payments are to be made at the door by cash or check.

## Passing On The Farm Workshop Jan. 22

MANHEIM (Lancaster Co.) — Planning for your successor, or someone to take over your farm, is the most important task you need to complete if you want your farm to survive into the next generation.

Yet, according to some recent statistics, many farm families have not identified a successor for their family business or even talked to family members about

what will happen to the farm when they die.

To assist you in this process, Pennsylvania Farm Link and Penn State Extension will conduct a Passing on the Farm Workshop at the Sunset West Restaurant in Pleasant Gap Jan. 22 from 9:30 a.m. to 3:30 p.m.

Farmers seeking ideas for successfully passing their farm to family members, or those inter-

ested in locating interested, unrelated farmers to take over an operation, should attend. Beginning farmers are also urged to participate to glean ideas for building their businesses.

Topics covered will include bringing the next generation into the farm business, business planning for a farm transfer, financing for new farmers, crop insurance, estate planning and legal implications, and farmland pres-

ervation.

The workshop will conclude with a panel of local farmers discussing how they transferred their own farms.

Lunch at a cost of \$7.50 will be served in the restaurant. Reservations are required by Jan. 17. Contact Pennsylvania Farm Link at (717) 664-7077 to register. Sunset West Restaurant is located 13 miles east of State College on Rt. 26 in Pleasant Gap.

Paul B.  
**Zimmerman**  
INC.

### Heavy Duty Bale Movers

Finished with a zinc rich under coat & polyester top coat.

With Kverneland Forged Steel Spears • Electrically Heat Treated  
These spears are stronger & allow easier bale penetration.

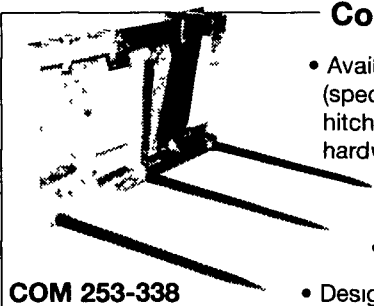
#### Combination Bale Movers

- Available with either quick attach (specify make or model) or 3PT hitch/loader boom mounting hardware

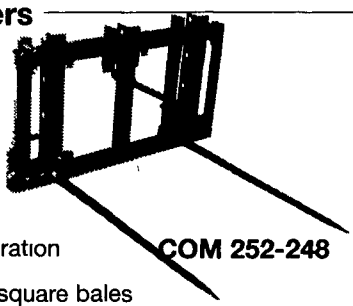
- 2500 lb. capacity

- Easily change spear configuration

- Designed to move either round or square bales



COM 253-338

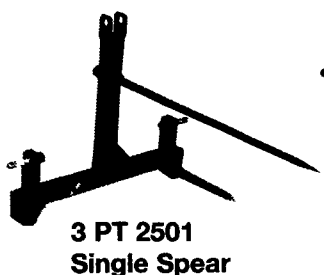


COM 252-248

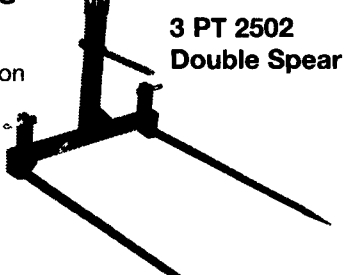
#### 3 PT Hitch Bale Movers

- Easily change spear configuration

- 1500 lb. capacity



3 PT 2501  
Single Spear



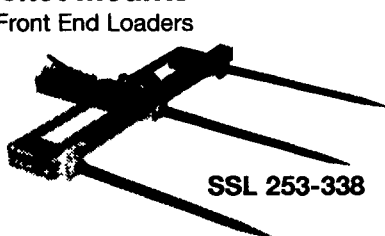
3 PT 2502  
Double Spear

#### Bucket Mounts

For Front End Loaders

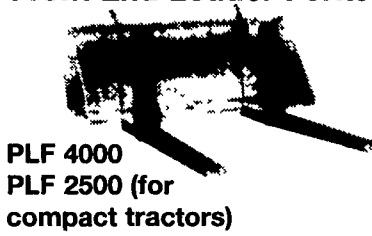


SSL 251-148



SSL 253-338

#### Front End Loader Forks



PLF 4000  
PLF 2500 (for  
compact tractors)

**Paul B. Zimmerman, Inc.**

295 Woodcorner Road • Lititz, PA 17543

**717/738-7365**

1 mile west of Ephrata

Call or write for additional information  
and the name of your nearest dealer.

Hours:

Mon - Fri 7-5

### PESTICIDE POINT UPDATE MEETINGS 2 Core and 2 Category Points

Joseph Beiler Farm Jan. 30, 2003 at 12:15 pm

(Joe's Machinery)

see ad below for discounts

Marvin Zook Farm Jan. 31, 2002 at 9:00 am

5640 Limeville, Rd. Gap, PA

Meetings to include update on how  
to use **Bioforge Gold** to enhance  
fiber digestibility in corn silage.

Reservations encouraged, but not required:  
Leland Miller, Advanced Agronomics  
717-786-4075

Grant Troop, Little Britain Ag Supply  
717-529-2196

**10%**  
Discount

**Joe's Machinery**

592 Creek Rd.

Christiana, PA 17509

(717) 529-2887

Call Mon., Tue. & Thu. 8:00 - 8:15 AM

**Customer Appreciation Days**  
Jan 27th to 31st 2003

10% Discount on Equipment Parts  
Very Competitive Prices on Baler Twine

### NEW! S Tine Roller Harrows

Any size (4' a specialty)

5% Discount on orders placed before  
February 1, 2003 (List Price \$485.00)

### NEW! 4 Lug Hub Assembly

For front end of NI tobacco planter  
For service bring that planter in now!