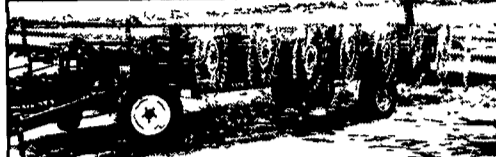


**Country Powerwashing & Equipment**  
 We offer a full line of:  
 • Pressure Washers • Parts • Accessories

**DIRT KILLER epps**  
 717-765-9478  
 1-800-590-0680

**Rapid-Reel**  
  
**KARCHER**  
 113 Ash St.  
 Mont Alto, PA 17237



**HS 16 Wheel Rake, Hyd. Fold, VG 27-30 Ft.**

**SPREADERS**

- IH 275 2 btr tandem Ex Collectors Quality
- Gehl 1322 Scavenger, like new, tandem, 2000 model
- NI 3632 Spreader Tailgate, 2 Btrs, VG
- NH 680, Ex Choice of Options
- NH 185, Choice of Options

**OTHER VERY GOOD EQUIPMENT**

- Perfecta II w/tines, Rolling basket, New points, 15' EX
- EZ Flow Gravity Wagon, w/est. 8 Ton, 220 bu
- NH 28 Blowers, VG
- Glencoe, 20' field cultivator w/Hyd fold
- Badger 14 Ton Running Gears Ex, Low Usage, almost new
- IH 60 Shredder 1000 RPM, All New Flails
- Sunflower 4212 Coulter Chisel w/9 Shanks
- 3 PH Sprayer, 40' Hyd fold 300 gal
- Hardi 500 Gal. Single Axle, Loaded, 45' VG Manual Fold
- M&S 16 Wheel Hyd. Fold Rake, VG, 27' 30'

**PLANTERS**

- JD 7200 4RN, Dry, unit mtd coulters, rebuilt, loaded compare w/new
- Kinze 2000 6RN, Liquid VG, Loaded
- Kinze 2600 12 RN FX
- JD 7000 4RN Liquid, frame mtd loaded
- JD 3 Bu. Seed Boxes, VG Cond w/Lids Fits 7000 & Kinze
- 2-S 1 Splitter Frames
- JD 7200 Frame, Mounted Coulters
- Deere & Kinze, used row units
- Poly Tanks - 100 1500 Gal, Gd Cond

**Duffield Agri-Service**  
 11199 Welsh Run Rd Greencastle PA 17225  
**717-328-2336**

**SEE MORE. LIFT MORE. DO MORE.**

1750/1850	118.2	29.6	7.0	46/56	16.7/27
Rated Operating Capacity	Lift Height	Reach	Travel Speed	Liquid Cooled Diesel Engine	Auxiliary Flow/High Flow



**Choice of attachments**

- Built-in Safety
- Serviceability
- Greater Comfort
- More Options
- See one today!

**NEW & USED SKID LOADERS**

873 Bobcat	940 Mustang w/ Backhoe & Forks
773 Bobcat	5635 Gehl
(2) 753 Bobcat	675 Joh <b>SOLD</b>
709 Bobcat Backhoe	1835 Case
453 Bobcat	1840 <b>SOLD</b>
440 Bobcat	1845C Case
310 Bobcat	L445 New Holland

**GRUMELLI'S FARM SERVICE INC.**  
 929 ROBERT FULTON HWY.  
 QUARRYVILLE, PA 17566  
**717-786-7318** Bobcat  
 1 1/2 Mile South Of Quarryville On 222  
 See Salesmen Tony Grumelli, Don Fichtner

**See Us At The KEYSTONE FARM SHOW Building #5**

**USED EQUIPMENT**

**TRACTORS**

- CIH MX200
- CIH MX 170
- CIH MX110
- CIH MX110 w/ loader
- CIH 2096
- CIH 5140, 2 WD, Cab
- CIH 7120
- CIH 8910 MFD (2) Case IH 8920
- CIH 8930
- CIH 8940
- CIH 895, cab
- Case 970
- Case 995
- Case 1690
- IH 784
- IH 986
- Farmall 300
- JD8200
- JD 4500 w/Loader
- JD 2350 w/Loader
- MF 1155
- Oliver 770

**TILLAGE**

- Glencoe 4450
- 7-shank chisel plow
- IJ 710 5B Plow
- CIH 6500 9 Shank
- JD 210 Disc
- 12' Packer Transport
- IH 370 12 ft. Disc
- Bush Hog 14 ft. Disc

**HARVESTING EQUIPMENT**

- Miller 5200 18ft
- Gehl 865 Harvester
- NI 2RN Picker
- Dion 1224 Harvester
- NI 2 RW Picker
- CIH 600 Blower

**HAY EQUIPMENT**

- CIH 8575 Baler
- Hesston 540
- IH 440 Baler
- AgWrap Bale Wrapper
- CIH 8350 Mower
- Hesston 1340
- JD 1219
- 6 ft 3 pt. Disc Mower
- 4-Star Tedder
- Miller Pro Rake

**SKID LOADERS**

- Case 1835C
- Case 60XT
- Case 75XT
- Case 90XT
- Case 95XT
- Case 1840
- Case 1845C, 2,300 Hrs \$10,500
- Case 580L

**MISCELLANEOUS**

- FFC Preparator
- Rubber Tire Scraper
- Woods 9000 Backhoe
- 30 ft Elevators
- 36 Ft. Manure Elevator
- NI 3632 Spreader
- Grain Auger, 8x52
- IH 800 4RN Planter
- JD 1750 6RN Planter
- JD 8350 Drill
- Farmmaster TMR
- Farmmaster TMR Cart
- Weaverline 430 Cart
- WIC 45 Feed Cart
- Woods 14 ft Mower
- Woods Bank Mower
- Knight Reel Augie Mixer
- Zimmerman 3000 Funnel Mixer \$12,000
- Vandale 285 Mixer Wagon
- GVM 2000 Prowler SP Sprayer
- Miller Pro 750 Gal Deluxe Sprayer
- 90 Dodge Service Truck

**MILLER PRO HESSTON New Idea**

**ZIMMERMAN FARM SERVICE, INC. BETHEL, PA**  
**717-933-4114**

**CASE IH WOODS Glencoe**

**AGCO TRACTORS** **HARDI** **MASSEY FERGUSON** **Glencoe** **Simplicity**

**LEBANON VALLEY IMPLEMENT COMPANY, INC.**  
 700 EAST LINDEN STREET, RICHLAND, PA 17087  
**717-866-7518**  
 Monday - Friday 7 30-5 Saturday 7 30-12  
 EMAIL: sales@lebanonvalleyimplement.com  
 www.ironweb.com/lebanonvalley

**PENTA GEHL BUSH HOG Farm Plan**

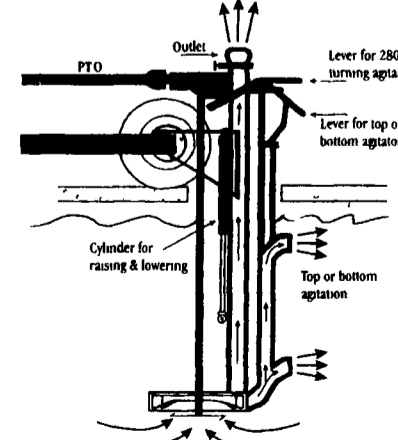
**USED EQUIPMENT**

- New Idea 5209 Discbine, Sharp!.....\$9,200
- NH 892 Harvester w/Table.....\$4,800
- Vermeer 504H Baler, Nice.....\$5,800
- Case IH 8420 Baler, Like New.....\$7,000
- NH L452 Skid Loader w/Wisconsin Engine.....\$4,750

**USED TRACTORS**

- Case Comfort King 930 on Steel w/ Pulley.....\$4,400
- IH 1466.....\$8,800
- IH 1066.....\$7,200
- IH 1066, Cab & Air, Sharp.....\$10,500
- IH 1466, Rebuilt engine.....\$12,000

**Liquid Manure Pit Pumps**



• Hydraulic lift • Simple controls • Dual ignition

**MILLER'S REPAIR**  
 1 Mile North of Bird in Hand  
 8 Miles East of Lancaster  
**Ph. 717-656-6109**

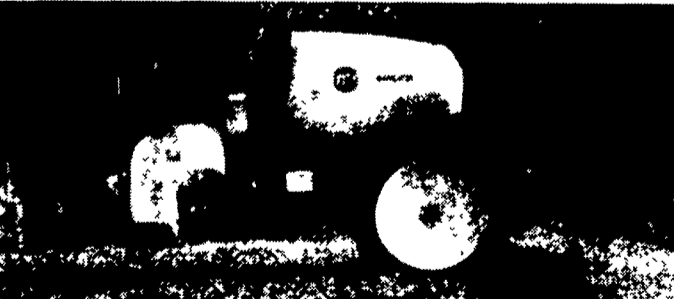
**Coming... CUSTOMER APPRECIATION DAYS SALE**  
**Mon., Jan. 13th thru Fri., Jan. 24th, 2003**

**BIG SAVINGS on PARTS & EQUIPMENT**

See Our Ad In Section "C" of Next Week's Lancaster Farming Or Call For Discount Details

**HARDI NEW NAVIGATOR**  
 - setting a new industry standard!

Performance Without Compromise- Economically Priced For Any Size Farming Operation




**Units In Stock:**

- 750 Commander Plus - 60 Foot
- Navigator 575 - 45 Foot
- Navigator 550M - 45 Foot
- NL155 3 Point - 33 Foot
- CA100 Cannon
- LB50 3 Point Estate Sprayer

• 575 3.1 gallon tank  
 • 45' high hydraulic lift  
 • Hardi patented air filter with 3 stage 2 micron dust filter shock absorber  
 • Hardi Prodigy™ 20" 70' boom height lift  
 • Hardi self-cleaning discharge pumps  
 • 90 or 180 gallon liquid fertilizer tank & storage platform  
 • 20 or 40 gallon fully integrated foam marker tank

• 60' 2.5 gallon tank  
 • 60' 2.5 gallon tank  
 • Hardi patented air filter with 3 stage 2 micron dust filter shock absorber  
 • Hardi Prodigy™ 20" 70' boom height lift  
 • Hardi self-cleaning discharge pumps  
 • 90 or 180 gallon liquid fertilizer tank & storage platform  
 • 20 or 40 gallon fully integrated foam marker tank

**PENTA VERTICAL MIX**  
**MODELS 3000, 4100 & 5600**  
**IN STOCK AVAILABLE FOR DEMO**  
 8 Years Experience in Vertical Mixers



**Features:**

- 5 year pro-rated warranty on gear box
- 3 year warranty on Digistar Scales
- Stainless steel conveyor
- Extra heavy duty frame
- 46" wide door
- 4 - 16 ply tires
- Epoxy paint
- Excellent Clean Out
- Made from North American Steel
- Easy loading with skid loader

MODEL	3000	4100	5600
Capacity	300	410	560
Overall Height	82"	93"	100"
Overall Length	192"	216"	216"
Discharge Height	22"-48"	28"-54"	28"-54"
Conveyor Width	36"	36"	36"
Auger Flites	1/2"	5/8"	5/8"
Side Wall	3/16"	1/4"	1/4"
Floor Thickness	1/2"	3/4"	3/4"
Horsepower	60 min	70 min	80 min
2 speed gear box	N/A	option	standard
Weight (empty)	6,290	8,790	9,560

**Call us for Demo & Prices!!**