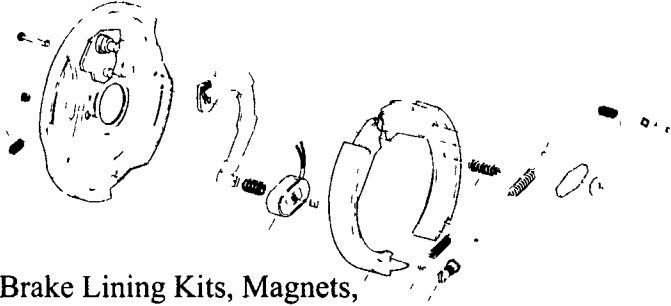
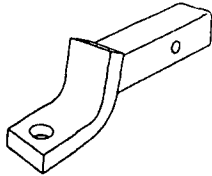


Trailer Parts & Accessories

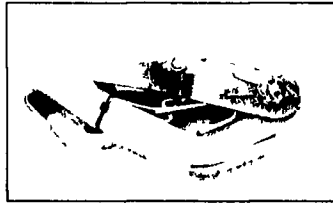
Here Is A Small Portion Of Our Inventory



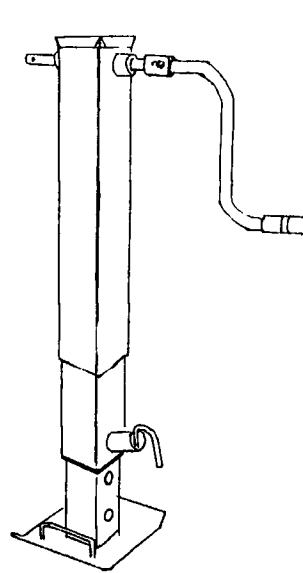
Brake Lining Kits, Magnets, Springs, etc. All The Necessary Parts To Rebuild Your Brakes.



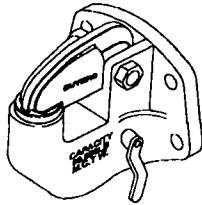
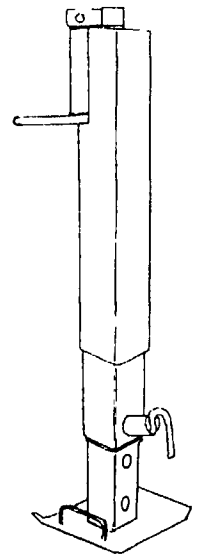
2" Square Ball Mounts
BM2 \$13.93



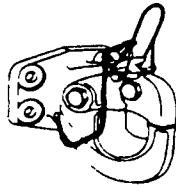
Ratchet Straps
Various Sizes
2" X 30' Strap \$25.33



48000SL 4 1/2" Sq. outer tubing \$120.58
TC10 4" Sq. outer tubing 10,000 LB cap. \$96.05



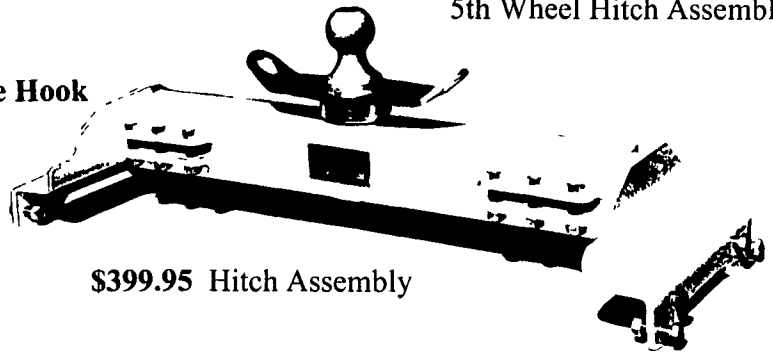
45 Ton Forged Pintle Hook
PH45 \$149.13



15 Ton Forged Pintle Hook
PH15 \$38.96

UNA-GOOSE

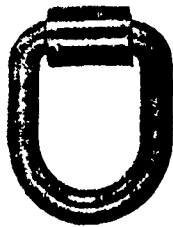
5th Wheel Hitch Assembly



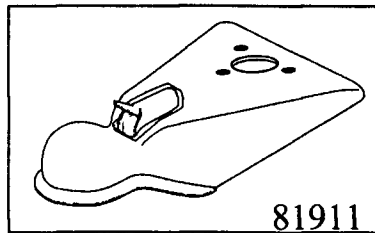
\$399.95 Hitch Assembly



Hitch Balls
1 7/8 - 2 5/16
2 5/16-1" Shank



Forged Lashing Ring
B50 \$8.86



Atwood A-Frame Couplers

81911



Tie Down Chains
5/16" x 16' SYS 7 \$29.95

Part #	Ball Size	Tongue	Capacity	
80071	2"	50° A-Frame	5,000 LB	\$20.98
81911	2 5/16"	50° A-Frame	10,000 LB	\$23.87

SI340 SCHUCK Cushion Hitch \$89.95
500lb. Tongue Cap. 20,000 Pull Cap.
9040 Brake Control \$59.54