

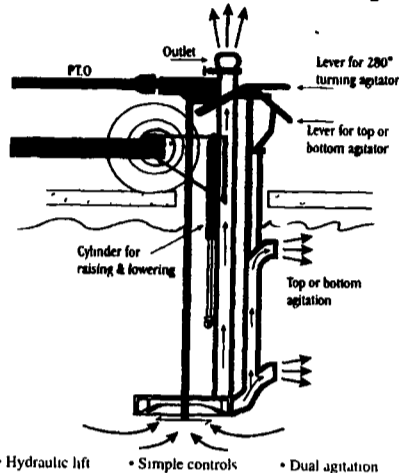
USED EQUIPMENT

- New Idea 5209 Discbine, Sharp!.....\$9,200
- NH 892 Harvester w/Table.....\$4,800
- Vermeer 504H Baler, Nice.....\$5,800
- Case IH 8420 Baler, Like New....\$7,000
- NH L452 Skid Loader w/Wisconsin Engine.....\$4,750

USED TRACTORS

- Massey Ferguson 40 w/Loader & Cab.....\$4,900
- IH 1066, Cab & Air, Sharp.....\$10,500
- IH 1086, No TA.....\$9,500
- IH 1066.....\$9,250
- IH 1466.....\$9,200
- IH 1066.....\$8,500
- IH 1066.....\$8,600

- Liquid Manure Pit Pumps -



• Hydraulic lift • Simple controls • Dual agitation

MILLER'S REPAIR
 1 Mile North of Bird in Hand
 8 Miles East of Lancaster
 Ph. 717-656-6109

R & W EQUIPMENT CO.

35 E. Willow St., Carlisle, PA 17013
 (717) 243-2686
 (717) 243-0244 FAX

TRACTORS

- Oliver 190T, 2WD
- MF 175, Good Shape
- '88 Ford 1210, 2WD
- Ford 1210, 4WD
- Ford 1920 4WD, Turf Tire w/7108 QT Loader
- 2000 NH TS110 4WD, Good Cond
- IH 886 2WD, Cab
- Ford 7710 2WD Cab Clean

SKID STEER LOADERS

- Bobcat 743
- 2000 JCB 1105 Skid Steer, 600 Hours
- NH LX 865 Good Cond

HAYTOOLS

- NH 256, Rubber Teeth
- NH 411 Discbine
- JD 1219 Mower Cond, Nice! Stub Guards
- NH 254 Rake/Tedder
- NH 477 Haybine
- 1Yr Old HW 300 w/2314 Header, Only 180 Hrs
- Vicon 321 Disc Mower Cond
- Pequea 760 Inverter
- Case IH 8770 Pivot Tongue Mower/Cond
- NH 479 Haybine

MISCELLANEOUS

- Gehl 3300 V Spreader
- Gehl 95 Grinder/Mixer
- IH 56 Planter
- Athens 131 disc
- Brillion Min-Till 4 Row Cultivator - Ex Cond
- NH 716 3 Pt 60" Snowblower
- NH TR70C Combine w/13 ft. Table
- Harsh 425H Mixer Wagon, 400 Cu. Ft. Cap

BALERS

- JD 346 Baler w/ejector
- MF 124 Baler w/ejector
- Claas Roland 62
- Ford 530 Baler
- NH 311 Baler w/70 Thrower, Ex Cond
- NH 848 Baler Wide Pick, Netwrap
- JD 336 Baler w/Ejector
- NH 273 Baler
- NH 850 Rd. Baler, Electric Wrap
- Hesston 560 Round Baler
- NI 4844 Rd Blr, Clean
- Pequea 710 Tedder, Like New

FORAGE

- NH 8 Forage Wagon
- JD 35 Forage Harvester, Very Good Cond.
- 72A Bearcat Flail Chopper, Good Condition
- Very Clean NH 707 Harv. windrow P/U & 1 row Cornhead
- Dion Forage Wagon

LOW RATE FINANCING AVAILABLE
 Call Tom For New Equipment

1 FARM EQUIPMENT

MF 550 Hydro Combine, 4RN cornhead, 15' flex-head, 354 Perkins Diesel, new tires. 315-938-5325.

Kubota L3600, 4wd ldr, heated, cab & equip. Balto Co., MD 410-456-4695

Sulair 185 air compressor, 1650 hrs, dsl, w/tools, ex cond, \$4500. 215-269-0900

JD 4100 Compact w/belly mower & loader, \$14,000. JD 50 work or restore, serial #5018154, \$3,000. Montgomery Civ. 215-679-0310.

Frank Kochmer Farm Machinery

Ford 2600 (Excellent)

Ford 3000

Oliver 1650

Case 530 Diesel, 930 Comfort King

Farmall 460

IH 330 Utility.

IH 340 Utility

New 9x20 round bale wagon bed '67 NH Baler w/no thrower

Parting Out:

Farmall 240 Complete WF fast hitch, wheels & rims

Farmall 340, PS, fast hitch

Set of 12-4-38 rims & tires for JD B or Farmall H, ex. rubber

570-378-2337



Zetor Tractor, 75 HP Turbo Diesel, Heavy Duty Western Loader, Rear Scraper Blade, 6' Bush Hog Mower, 700 HR only Plowed Snow & Mowed Grass.....\$20,000 OBO

215-855-2946

New & Used Equipment

- Farmall A w/Belly Mower
- Belarus 532, 4wd, 60 HP Tractor
- Ford 7000 NF, Cab w/Bush Hog Self Leveling Loader. \$7,500
- Belarus 250 AS w/Allied Loader . . . \$5,995
- Belarus 800 M, 2wd, 300 Hrs. (Like New) \$12,500
- Yanmar 220D w/Loader, 4wd.... \$5,500
- Yanmar 1510, 633 Hrs, w/Loader . . . \$6,995
- Yanmar 1300D, 4wd . . . \$3,000
- Bodco 3 pt. Straw or Paper Chopper \$950
- Wic 3 pt Straw or Paper Chopper (New)
- Dynavent 11 HP Chopper
- Wic 9 HP Chopper
- Wic 11 HP Paper Chopper (New)
- Wic 13 HP Paper Chopper (New)
- (2) Automatic Roller Mill w/motors
- Bush Hog 60-07 Scraper Blade (Like New)
- (2) Yanmar 3 pt Rear Tillers (used) ca \$500
- Oswalt 250 Feed mixer
- Knight 3575 mixer
- Weaverline 430 SS Feed Cart
- Weaverline 430 Feed Cart
- Rissler #60 Feed mixer
- Rissler 510 Feed Mixer
- Vandale 4600 Tank Spreader, Steerable axle (Rental)
- Vandale 3400 Tank Spreader (New)
- Dry Hill 32 ft. Pump (Rental)
- Dry Hill 8 to 12 ft Adjustable Pump
- Vandale/Bodco 32 ft Lagoon Pump
- Dry Hill 12 ft. 2 pt. Pit Pump

CALL TODAY FOR GREAT PRICES

Sales & Service

ROVENDALE AG & BARN EQUIP.

WATSONTOWN, PA 17777

570-538-9564 OR 570-742-4226

1-80 to I-160 Watsonstown Exit



VAN DALE

COWAN EQUIPMENT

Martinsburg, PA

814-793-4293 Day or Evening or 814-793-9797 • Fax 814-793-2431

Financing & Leasing Available

- JD 5460 chopper 4x4 w/new style cutter head
- JD 5830 chopper 4x4 Kemper head
- JD 5720 chopper 4x4
- JD 6810 chopper 4x4
- JD 5400 chopper 4x4
- NI 708 w/late model chopper
- JD 6R head for 5830 like new
- Kemper 4 row head excellent
- JD kernel processor
- JD 6300 4x4
- JD 5300 4x4 fender
- JD 4455 cab & air
- JD 4255 cab & air 4x4
- JD 3255 cab & air 4x4
- JD 2955 cab & air
- JD 2755 cab & air 4x4
- JD 2755 fender 4x4
- JD 2755 fender
- JD 2355 fender 4x4
- JD 2155
- JD 2950 fender w/roll guard
- JD 2750 fender w/hl & low
- JD 2750 fender
- JD 1050 4x4
- JD 4440 cab & air power shift
- JD 4440 4 post quad range
- JD 4440 cab & air quad range
- JD 4430 cab & air, power shift, 1977
- JD 4430, cab & air quad range
- JD 2630
- JD 2030, diesel, hi-low
- JD 4320, fender
- JD 4020, powershift 70 model
- IH 1896, 4x4
- IH 1486, cab & air
- IH 1086, cab & air
- IH 1066 w/cab black stripe
- IH 1066, fender
- IH 966 w/cab
- IH 856
- White 2-135, cab & air, 4x4
- White 2-70, 4x4
- Ford 8670, cab & air, 4x4
- Ford 8210, 4x4
- Ford 5600, 4x4
- Ford TW25, cab & air, 4x4
- JD 260 loader
- JD 158 loader, like new
- JD 148 loader

EQUIPMENT COME FROM BINKLEY & HURST BROS. INC.

Need Quick Delivery On A New Tractor Of Your Choice? See Us Today!

BINKLEY & HURST HAS A NEW CASE IH TRACTOR TO KEEP YOU GOING! GREAT FINANCING!

CASE IH Case Credit and Binkley & Hurst Bros. Inc. Can Put You into the Tractor of Your Dreams!

- Model MX 100, 85 HP
- Model MX 110, 95 HP
- Model MX 120, 105 HP
- Model MX 135, 115 HP
- Model MX 200, 165 HP
- Model MX 220, 185 HP
- Model MX 240, 205 HP
- Model MX 270, 235 HP

Check Our Low Rate Finance or Lease Plans To Lower Your Cost! Let Tax Dollars Help You to Obtain an Enjoyable New Tractor from Binkley & Hurst Bros. Inc.



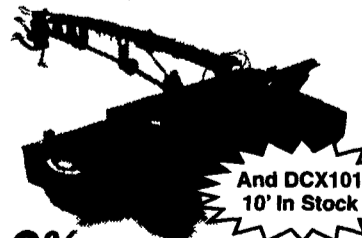
NEW CASE IH TRACTORS IN STOCK! LIMITED SUPPLY!

CHECK OUT THESE FINE FEATURES: New Case Cummins Diesel with up to 44% Torque Rise, New Thumb Switch Power Shift, New 25 GPM Hyd. at Rear Outlets with 2950 psi Hyd. System, New Ultra-Quiet 72 dba Cab with 56.6 sq ft of Tinted Glass, New Turbo Chargers and In-Line Injection Pumps.

NOTICE: Case IH will be discontinuing our Case Cummins CDC engines in our MX Maxxum size tractors, but if you would like to own a Case Cummins powered diesel tractor, we have a few in stock to choose from!

- MX 110 MFD 4x4, ROPS, Open Station
- MX 110 2WD Open Station
- MX 100 2WD Deluxe Cab
- MX 110 4x4 Cab
- MX 120 4x4 2-Door Cab
- MX 120 4x4 2-Door cab with New Case IH Model L655 Loader Installed with Grabble Bucket
- MX 150 4x4 Cab

The "New" DCX 131 Disc Mower Cond. In Stock - 13' Cut Center Pivot with Hyd. Header Tilt, 3 Pt. Swivel Hitch



And DCX101 10' In Stock
 0% No Interest Charges for 36 Months with Credit Approval Ask for Leonard OR Landis

New Case IH Square Balers In Stock



Model SBX 520 Model SBX 540 With Thrower

CASE IH LBX Series Large Rectangular Balers

IN STOCK



In Stock At Binkley & Hurst Bros. Inc. - New Self Propelled Disc Mower Conditioner



BINKLEY & HURST BROS. INC.

133 Rothsville Station Rd. P.O. Box 0395, Litzitz, PA 17543-0395 Located 1/2 Mile North of Rothsville

(717) 626-4705

1-800-414-4705 Fax 717-626-0996

