

**Philadelphia Fruit**

Terminal Market  
July 10, 2002

Report Supplied By USDA

CITRUS FRUITS -CLEMENTINES: OFFERINGS INSUFFICIENT TO QUOTE -GRAPEFRUIT: MARKET ABOUT STEADY ctns CA Shprs 1st Grade Ruby Red 27s 13.00 32s 13.50 36s 14.00 40s 13.50 4/5 buctns FL U.S. One Indian River Red 23s 13.00 27s 13.00 32s 11.00-12.00 36s 11.00 40s 10.00-10.50 mostly 10.00 48s 9.00 56s 8.50 -LEMONS: MARKET STEADY ctns CA Shprs 1st Grade 95s 42.00 115s 42.00 140s 32.00 165s 31.00 Shprs Choice 95s 16.50 115s 18.50 140s 20.00 165s 21.00

-LIMES: MARKET STEADY 10 lb ctns FL 48s 4.50-5.00 MX 42s 5.00 48s 5.00 54s 4.00-5.00 some 3.00 63s 4.00-5.00 some 3.00 40 lb ctns MX 130s 15.00 150s 15.00 175s 12.00 -MISC CITRUS: OFFERINGS INSUFFICIENT TO QUOTE -ORANGES: MARKET STEADY ctns CA Shprs 1st Grade Valencia 56s 14.50 72s 14.50 88s 14.00 113s 13.50 4/5 buctns FL Valencia 48s 13.00 56s 13.00 64s 13.00 80s 13.00 100s 13.00 125s 13.00 -TANGELLOS: OFFERINGS NONE -TANGERINES: OFFERINGS NONE -TEMPLES: OFFERINGS NONE

BERRIES -BLUEBERRIES: MARKET ABOUT STEADY fts 12 1-pt cups with lids NJ med-lge 12.00-14.00 mostly 12.00 -CRANBERRIES: OFFERINGS NONE -MISC BERRIES: MARKET HIGHER fts 12 6-oz cups with lids CA Blackberries 18.00-20.00 -RASPBERRIES: NO SALES REPORTED -STRAWBERRIES: MARKET ABOUT STEADY fts 12 1-pt bkts CA med-lge 8.00-10.00 mostly 10.00 fr cond 6.00-7.00 fts 8 1-lb cntrs with lids CA med-lge 10.00

MELONS -CANTALOUPS: MARKET CA HIGHER, MD LOWER. 1/2 ctns CA 9s 12.00 ord cond 3.00-4.00 12s 10.00-11.00 mostly 10.00 15s 9.00-10.00 18s 8.00 some 9.00 24 inch bins MD 120s 75.00-110.00 130s 75.00-110.00 150s 125.00 -HONEYDEWS: MARKET HIGHER 1/2 ctns CA 5s 11.00-12.00 mostly 12.00 6s 11.00-12.00 mostly 12.00 -MISC MELONS: 1/2 ctns CA Casaba 4s 12.00 5s 12.00 6s 12.00 Crenshaw 4s 12.00 5s 12.00 6s 12.00 Juan Canary 4s 12.00 5s 12.00 6s 12.00 Santa Claus 4s 12.00 5s 12.00 6s 12.00 Sharlyn 4s 12.00 5s 12.00 6s 12.00 Orange Flesh 4s 12.00 5s 12.00 6s 12.00 -WATERMELONS: MARKET ABOUT STEADY 24 inch bins NC Red Flesh Seedless Type lge sz 175.00 med sz 175.00 sml sz 75.00-100.00 mostly 100.00

SC Red Flesh Seedless Type lge sz 175.00 med sz 175.00 bins NC Sangria Type per 1100 lb bin 20-30 lb 225.00 SC Sangria Type per 1100 lb bin 20-30 lb 225.00 per melon NC Sangria Type 30-34 lb avg 6.00 NON-CITRUS FRUITS -APPLES: MARKET STEADY ctns trypk CL BOAT Granny Smith 70s 26.00 ord cond 5.00-6.00 80s 26.00 90s 26.00 Fuji 70s 22.00 90s 22.00 NZ BOAT Gala 90s 30.00 CONTROLLED ATMOSPHERE STORAGE ctns trypk WA WAExFcy Red Delicious 64s one label 22.00 72s 17.00 one label 22.00 80s 17.00 88s 15.00-17.00 one label 20.00 100s 15.00-18.50 mostly 17.00 113s 15.00-18.50 mostly 15.00-17.00 Golden Delicious 72s one label 24.00 80s one label 28.00 100s one label 24.50 -APRICOTS: OFFERINGS INSUFFICIENT TO QUOTE -AVOCADOS: MARKET CA SLIGHTLY LOWER, FL STEADY. ctns 2 lyr CA Hass 48s 43.00-45.00 mostly 44.00 ctns 1 lyr FL Various Greenskin Varieties 10s 7.00-8.00 12s 7.00-8.00 -BANANAS: MARKET STEADY 40 lb ctns IMPORT 13.50 fr qual 11.50-12.00 sml 9.50-10.00 mos 10.00 petite 13.50 40 lb ctns bagged IMPORT 11.50 -CHERRIES: MARKET STEADY 20 lb ctns OR U.S. One Bing 9 1/2 row sz 40.00 10 row sz & lgr 30.00 10 1/2 row sz & lgr 35.00 WA WAOne Bing 10 row sz & lgr 38.00-45.00 fr cond 36.00 10 1/2 row sz & lgr 35.00-40.00 few 42.00 some 34.00 12 row sz & lgr 24.00-26.00 CTNS 8 2.2 FLWG 10 1/2 & 11 ROW SZ FR COND 10.00-15.00 -FRUITS OTHER: ctns 1 lyr FL Carambola - Star Fruit 20s 20.00 25s 20.00 30s 20.00 fts 1 lyr CA Figs Black Mission 40s 9.00-10.00 mostly 9.00 48s 9.00-10.00 mostly 9.00 Brown Turkey 30s 7.00-8.00 mostly 7.00 35s 7.00-8.00 mostly 7.00 ctns 2 lyr MX Cactus Pears Red 40s 8.00-10.00 45s 8.00-10.00 10 lb ctns FL Guava 29.00-30.00 per lb FL Lychee Nuts 4.60 ctns 12 1-pt bkts CA Figs Black Mission 15.00-16.00 15 lb ctns TW Lychee Nuts 35.00-36.00 -GRAPES: MARKET ABOUT STEADY 19 lb lugs bgd CA Perlette med-lge 20.00 Flame Seedless lge 22.00 med-lge 19.00 White Seedless Type lge 24.00 18 lb lugs bgd CA Perlette med 6.00-8.00 sml-med fr cond 3.00-5.00 Thompson Seedless lge 17.00-18.00 Flame Seedless lge 14.00-16.00 mostly 14.00-15.00 Black Seedless med-lge 16.00-17.00 Red Globe lge 20.00-21.00 med-lge 17.00-18.00 MX Thompson Seedless med-lge 15.00 med 12.00-14.00 Flame Seedless med 14.00 FR COND 12.00 Red Globe med-lge 14.00-15.00 -KIWIFRUIT: MARKET STEADY fts 1 lyr CL BOAT Hayward 39s 6.00 -MANGOES: MAR-

KET KENTS LOWER, OTHERS ABOUT STEADY. fts 1 lyr MX Kent 9s 4.00 10s 4.00 12s 4.00 Tommy Atkins 9s 4.00 few 5.00-5.50 10s 4.00 12s 4.00 Ataulfo 16s 8.00 18s 7.00 50 lb ctns FL Green Cooking Type 55.00-58.00 -NECTARINES: MARKET ABOUT STEADY 25 lb ctns lse CA California Well Matured Various Yellow Flesh Varieties 50 sz 13.00 56 sz 9.00-12.00 mostly 9.00-10.00 64 sz 8.00-9.00 72 sz 8.00-9.00 Summer Brite 56 sz 9.00-10.00 64 sz 8.00-9.00 72 sz 8.00-9.00 Various White Flesh Varieties 56 sz 17.00-18.00 Spring Bright 60 series 11.00 50 sz 15.00 56 sz 13.00-14.00 mostly 13.00 -PAPAYA: MARKET STEADY 10 lb ctns BR Sunrise 9s 11.00 10s few 10.00-11.00 40 lb ctns DR Green Cooking Type 17.00-18.00 35-40 lb ctns BZ Maradol 24.00 MX Maradol 20.00 -PEACHES: MARKET LOWER ctns 2 lyr trypk CA California Well Matured Various Yellow Flesh Varieties 40s 18.00 Various White Flesh Varieties 44s 16.00-18.00 30 series 18.00 1/2 buctns GA No Grade Marks Redglobe 2 1/2 up fr cond 10.00-12.00 2 1/2 up fr cond 8.00-10.00 NJ No Grade Marks Various Yellow Flesh Varieties no sz marked fr qual 5.00-6.00 SC U.S. ExOne Fire Prince 2 1/2 up 7.00 2 1/4 up 5.00-6.00 mostly 5.00 No Grade Marks Cary Mac 2 3/4 up 13.00-14.00 2 1/2 up 11.00-12.00 mostly 12.00 2 1/4 up 5.00-7.00 25 lb ctns lse CA California Well Matured Various Yellow Flesh Varieties 56 sz 14.00 June Lady 56 sz 9.00-10.00 64 sz 6.00-7.00 Various White Flesh Varieties 72 sz 14.00-15.00 -PEARS: MARKET STEADY std ctns/boxes wrpd WA U.S. One D'Anjou 70s 19.50-21.00 80s 19.50 90s 19.50-21.00 100s 19.50 110s 19.50 18 kg cntrs AG BOAT Bartlett 70s 15.00 80s 15.00 Packham Triumph 80s 16.00 90s 16.00 100s 16.00 -PERSIMMONS: OFFERINGS INSUFFICIENT TO QUOTE -PINEAPPLES: MARKET STEADY ctns 1 lyr CR golden ripe 5s 16.00-17.00 6s 16.00-17.00 8s 16.00-17.00 9s 10.00-12.00 HI AIR 6s 13.50 -PLANTAINS: MARKET STEADY 50 lb ctns CB Yellow 13.00 EC Green 12.00-13.00 mostly 13.00 -PLUMS: MARKET LOWER 28 lb ctns lse CA California Well Matured Black Amber 30 sz 17.00-22.00 35 sz 24.00 40 sz 14.00 50 sz 12.00-16.00 few 11.00 55 sz 16.00 60 sz 14.00 Queen Rosa 25 sz 18.00 30 series 16.00-17.00 40 series 14.00 Santa Rosa 55 sz 14.00 Simka 45 sz 13.00-14.00 Westerner 60 sz 12.00 70 sz 10.00 Wickson 40 sz 15.00 -POMEGRANATES: OFFERINGS NONE -PRUNES: OFFERINGS NONE

**Philadelphia Herbs**

Philadelphia Terminal  
Prices as of July 9, 2002

Report Supplied By USDA

MISC HERBS -ANISE: 1/2 ctns CA 18s 18.00 -ARRUGULA: 4/5 buctrs bchd NJ 24s 10.00-11.00 4 lb ctns CA Baby type 12.00 ord cond 3.00-4.00 -BASIL: crts bchd NJ 15s 8.00-9.00 1 kg ctns bchd IS 12s 11.00-13.00 -CELERIAC (CELERY ROOT): OFFERINGS INSUFFICIENT TO QUOTE -CHERVIL: OFFERINGS INSUFFICIENT TO QUOTE -CHIVES: 1 kg ctns bchd IS 12s 18.00 -CILANTRO: 4/5 buctrs bchd NJ 30s 18.00 -DILL: crts bchd NJ 24s 14.00 -DRY ESCHALLOT: 10 lb sks NL 10.00 -HORSERADISH: TOO FEW SALES TO QUOTE -MARBORAM: 1 kg ctns bchd IS 12s 13.00 -MINT: crts bchd NJ 12s 7.50-8.00 1 kg ctns bchd IS 12s 10.00 -OREGANO: 1 kg ctns bchd IS 12s 13.00 -ROSEMARY: 1 kg ctns bchd IS 12s 13.00 -SAGE: 1 kg ctns bchd IS 12s 13.00 -TARRAGON: 1 kg ctns bchd IS 12s 17.00 -THYME: 1 kg ctns bchd AL 24s 11.50-12.00 mostly 12.00

**Shippensburg Produce Auction**

Shippensburg, Pa.

Report Supplied by Auction  
July 4, 5, 9

APPLES: 2.25-5.00 1/2 BU.  
APRICOTS: 15.00-28.00 8 QT. FLAT.  
BEANS: 7.00-12.00 1/2 BU.  
BLUEBERRIES: 11.00-16.00 12 PINT FLAT.  
CABBAGE: 5.50-8.50 BU.  
CUCUMBERS: 5.50-10.00 1/2 BU.  
ONIONS: 8.00-13.50 1/2 BU.  
PEACHES: 6.50-13.50 1/2 BU.  
PEPPERS: 4.00-12.00 1/2 BU.  
PICKLES: 5.00-10.00 1/2 BU.  
PLUMS: 14.00-16.00 8 QT. FLAT.  
POTATOES: 4.50-13.00 1/2 BU.  
RASPBERRIES: 14.00-24.00 12 PINT FLAT.  
RED BEETS: 3.00-5.50 1/2 BU.  
SQUASH: 3.00-4.50 1/2 BU.  
SWEET CORN: 1.90-2.80 DOZ.  
TOMATOES: 8.00-16.00 10 LBS.  
ZUCCHINI: 2.00-6.00 1/2 BU.  
SALE DAYS NEXT WEEK ARE TUES., THURS., FRI., 9 A.M.

**Leola Produce**

Leola, Pa

Report Supplied by Auction  
July 9, 2002

BEANS: GREEN 30.00-40.00 BU., YELLOW 16.00-20.00, BOTH 1/2 BU., LIMAS 25.00-35.00 1/2 BU.  
CABBAGE: GREEN .60-.90 HEAD.  
CANTALOPES: SM. TO LRGE. 1.00-2.00 EACH.  
CHERRIES: SWEET 12.00-14.00 8 QT. FLAT.  
CUCUMBERS: 12.00-15.00 BU.  
EGGPLANT: 10.00-12.00 1/2 BU.  
HONEYLOPE: 1.00-1.90 EACH.  
ONIONS: WALLA WALLA 8.00-10.00 BOX.  
PEACHES: 15.00-20.00 1/2 BU.  
PEPPERS: GREEN SM. TO LRGE. 10.00-12.00 BU., HOT 6.00-8.00 1/2 BU., OTHERS 8.00-10.00 BU.  
PICKLES: 10.00-12.00 1/2 BU.  
PLUMS: 15.00-18.00 FLAT.  
POTATOES: RED AND WHITE 7.00-10.00 25 LBS.  
RASPBERRIES: RED 25.00-30.00, BLACK 25.00-30.00 12 PINT FLAT.  
SQUASH: SUMMER 8.00-10.00 1/2 BU., PATTY PANS 7.00-10.00 BOX.  
SWEET CORN: 1.75-2.40 DOZ.  
TOMATOES: RED SM. TO LRGE. 25.00-49.00, YELLOW 45.00-51.00, BOTH 25 LBS.  
WATERMELONS: 6.00-12.00 1/2 BU.  
SALE DAYS MON., 9:30 A.M.; TUES., WED., THURS., FRI., 8:30 A.M.; SAT. 8 A.M.

**Lebanon Produce Auction**

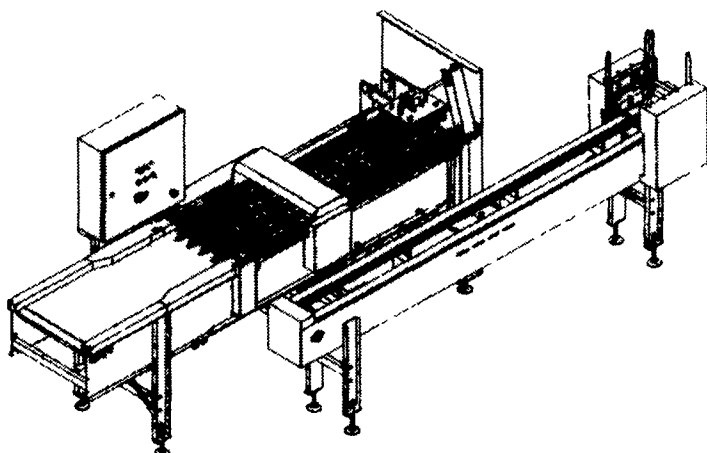
Reistville, Pa.

Report Supplied by Auction  
July 4-9, 2002

APPLES: 1.40-1/2 BU.  
BEANS: GREEN 5.00-8.50 1/2 BU., YELLOW 2.50-3.00 BU.  
BLUEBERRIES: .60-1.50 PINT.  
CABBAGE: GREEN .25-1.10 HEAD.  
CANTALOPES: .75-1.25 EACH.  
CAULIFLOWER: .50-.85 HEAD.  
CUCUMBERS: 2.00-7.00 1/2 BU.  
EGGPLANT: 2.25 1/2 BU.  
ONIONS: SPRING .65 BUNCH.  
PEACHES: 6.50-11.00 1/2 BU.  
PEPPERS: GREEN 5.00 1/2 BU.  
PICKLES: 1.00-4.75 1/2 BU.  
POTATOES: RED 4.50-6.25, WHITE

(Turn to Page A14)

**INTRODUCING... THE *Peritzen* PSP-30 FARM PACKER**



- Available in 50 or 100 Case/Hr Versions
- Easy One Man Operation
- Optional Tray Stackers, Egg Counters and In/Out Conveying
- Let Us Provide A Complete Conveying and Packing Solution



Your Partner in Agri-Business

We are open Mon. - Fri. 6:30 a.m. to 5:00 p.m. • Our Service Department is Available 24 Hours a Day

255 Plane Tree Drive, Lancaster, PA 17602  
Toll Free 800-HEC-0988

Fax (717)291-1534

Call Bill Shirey for Details

Website: www.hequip.com



**Diffenbach Auction Inc.**

100 West Jackson Street • New Holland, Pennsylvania 17557

Office: (717) 355-7253 • FAX: (717) 355-9547

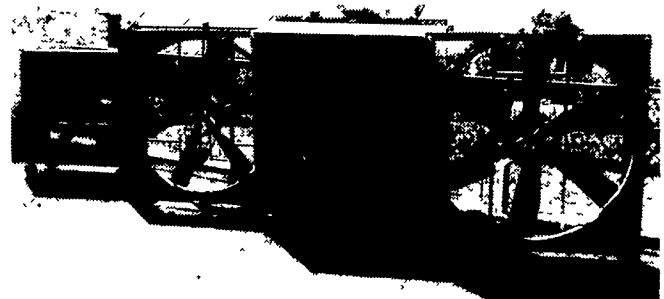
www.acauction.net

**HAY & GRAIN SALE EVERY MONDAY - 10:00 A.M.**

TUES	JULY 23	QUILT, CRAFT & BUGGY	9:00 AM
WED	JULY 24 (?)	QUILT & CRAFT	9:00 AM
WED	AUG 7	WINROSS, HESS, FARM TRAC & TOYS	6:30 PM
FRI	AUG 9	TRACTORS, FARM EQ & SUPPLIES	9:00 AM

EQUIPPED FOR AN AUCTION AT YOUR PLACE OR OURS  
ALAN DIFFENBACH AUCTION -AU2258-L

**BEAT THE HEAT**



52" and 36" 6-Paddle Fans

Lots of Other Fans Available - Portable or Stationary

52" Fan: 26,396 CFM @ 401 RPM

Very Quiet Because It Runs Slow.

Excellent For Tunnel Ventilation

Electric & Hydraulic Motors In Stock

Lineshaft Kits Available



343 Christiana Pike  
Christiana, PA 17509

Answering Service  
1-610-593-2753