

**Belleville Livestock Auction**

Belleville, Pa.  
June 26, 2002

Report Supplied By USDA

CATTLE 276...(PDA)...(Supply included 186 cows and heifers in the Dairy sale)...Compared with last week's sale...cows steady to 1.00 higher.

STEERS: one Select 1-2 60.00.

HOLSTEIN STEERS: few Choice 2-3 1430/1465 54.50-57.00, couple Select 1-2 51.00 & 52.00.

COWS: Breakers 75-80% lean 42.75-46.25, Boners 80-85% lean 39.00-44.75, Lean 85-90% lean 36.75-43.00. Shells 35.75 and down.

BULLS: one Yield Grade 1 1350 lbs 62.25, couple Yield Grade 2 1190 & 1315 lbs 53.25 & 56.25.

FEEDER CATTLE: STEERS: one Medium 2 170 lbs at 70.00; HEIFERS: one Medium 1 410 lbs 76.00, one Medium and Large 3 260 lbs 61.00, 7620-795 lbs 37.00-47.50; BULLS: one Medium 2 340 lbs at 71.00.

CALVES 70...VEALERS: Standard and Good 85-110 lbs 40.00-60.00, Utility 65-75 lbs 20.00-35.00. FARM CALVES: Holstein bulls 10.00 lower..No 1 Holstein bulls 85-130 lbs 95.00-125.00, No 2 80-120 lbs 70.00-100.00; No 2 Holstein heifers 75-120 lbs 100.00-330.00.

HOGS 4...BARROWS AND GILTS: few 40-45% lean 325-405 lbs 17.00-24.00.

BOARS: one 1-3 275 lbs at 8.25.

FEEDER PIGS 58...1-3 30-50 lbs 27.00-41.00, 55-75 lbs 55.00-69.00. — per head.

SHEEP 18...SLAUGHTER LAMBS: Choice 20-45 lbs 85.00-101.00, 50-75 lbs 67.00-88.00, Good and Choice 40-60 lbs 50.00-64.00, 65-85 lbs 50.00-58.00.

SLAUGHTER SHEEP: one 18.00.

GOATS 43...(All sold by the head with weights estimated). Kids: Selection 1 20-40 lbs 30.00-40.00. Selection 2 under 20 lbs 14.00-20.00, 20-40 lbs 25.00-39.00, 40-60 lbs 43.00-55.00. Selection 3 40-60 lbs 34.00-46.00. Yearlings: Selection 1 40-60 lbs 44.00. Selection 2 40-60 lbs 30.00-40.00. Nannies: 50-60 lbs 30.00-47.00, 70-100 lbs 40.00-67.00. Billies: 50-70 lbs 40.00-52.00.

DAIRY COWS: 775.00-1800.00. — per head.

**Belknap Livestock**

Belknap, Pa.

Report Supplied By USDA

June 26, 2002

CATTLE 131...(PDA).

STEERS: one Choice 2-3 1268 lbs 65.25, few Standard 1-2 50.00-55.00.

HOLSTEIN STEERS: few High Choice and Prime 2-3 1070-1450 lbs 60.75-62.50, Choice 2-3 1000-1586 lbs 54.50-61.00, Select 1-2 51.25-54.50, few Standard 1-2 46.00-49.25.

HEIFERS: one Choice 2-4 1112 lbs 64.50, few Standard 1-2 53.50-58.50.

COWS: Breakers 75-80% lean 42.00-48.75, Boners 80-85% lean 41.25-48.00, Lean 85-90% lean 37.00-41.50. Shells 37.00 and down.

BULLS: couple Yield Grade 1 1778 & 1790 lbs 60.25 & 62.25, couple Yield Grade 2 1222 & 1400 lbs 53.25 & 53.50.

FEEDER CATTLE: STEERS: few Medium 1-2 620-700 lbs 60.00-62.00; HEIFERS: few Medium 2 350-540 lbs 57.00-72.00; BULLS: one Large 2 358 66.00.

CALVES 154...VEALERS: Standard and Good 70-125 lbs 30.00-67.50, Utility 50-80 lbs 11.00-29.00.

FARM CALVES: No 1 Holstein bulls 85-130 lbs 82.50-110.00, No 2 80-115 lbs 45.00-90.00; No 1 Holstein heifers 90-120 lbs 450.00-575.00, No 2 75-115 lbs 185.00-435.00.

HOGS 16...BARROWS AND GILTS: 45-50% lean 200-260 lbs 38.00-40.00, 240-270 lbs 33.50-35.75.

SOWS: one 1 332 lbs 21.00.

FEEDER PIGS 117...1-3 20-40 lbs 17.00-27.50, 50-70 lbs 25.50-31.00, 70-85 lbs 36.50-40.00. — per head.

SHEEP 22...SLAUGHTER LAMBS: Choice 75-95 lbs 65.00-72.00, Good and Choice 30-75 lbs 57.50-65.00.

SLAUGHTER SHEEP: 12.50-26.00.

GOATS 54...(All sold by the head with weights estimated). Kids: Selection 2-3 60-80 lbs 22.50-35.00. Selection 3 20-40 lbs 18.00-25.00, few 40-60 lbs 18.00-25.00. Nannies: few 50-70 lbs 25.00-37.50, few 70-140 lbs 30.00-49.00. Billies: couple 70-100 lbs 50.00.

**Middleburg Livestock Auction**

Middleburg, Pa.

Tuesday, June 25, 2002

Report Supplied By USDA

CATTLE 288...(PDA)...(Supply included 93 steers and heifers, 116 cows, 19 bulls and 60 feeder cattle)...Compared with last week's sale...steers and heifers steady, cows steady with spots to 1.00 higher.

STEERS: few High Choice and Prime 2-3 1270-1360lbs 68.50-70.75, Choice 2-3 1100-1465 lbs 64.00-69.00, few Select 1-3 63.25-65.50, Standard 1-2 57.75-60.75.

HOLSTEIN STEERS: few High Choice and Prime 2-3 1210-1540 58.25-60.25, Choice 2-3 1100-1600 lbs 53.25-59.50, 1605-1755 53.75-54.75, few Select 1-2 48.50-51.25.

HEIFERS: Choice 1-3 1100-1465 lbs 63.00-67.75, few Select 1-2 62.00-63.00, few Standard 1-2 52.50-58.25.

COWS: Breakers 75-80% lean 42.00-47.00, with a few high yielding individuals up to 49.75, Boners 80-85% lean 41.00-46.25, low dressing down to 37.00, Lean 85-90% lean 36.50-44.00, bulk of sales 38.00-42.50. Shells 36.00 and down.

BULLS: Yield Grade 1 1175-2055 lbs 59.00-61.00, one at 63.00, Yield Grade 2 950-1775 lbs 55.00-57.75.

FEEDER CATTLE: STEERS:one Medium and Large 3 340lbs 73.00, one 940 lbs 51.00; HEIFERS: one Medium 2 305 lbs 65.00, Medium and Large 3 450-480 lbs 50.00-55.00, 580-660 lbs 40.00-42.00; BULLS: one Large 2 635 lbs 58.00, Medium and Large 3 530-570 lbs 40.00-47.00, one 735 lbs 47.00.

CALVES 250...VEALERS: Standard and Good 70-115 lbs 40.00-60.00, Utility 60-95 lbs 10.00-45.00. FARM CALVES: Holstein bulls steady, Holstein heifers steady..No 1 Holstein bulls 90-120 lbs 122.00-147.00, 80-85 lbs 100.00-125.00, No 2 80-125 lbs 70.00-125.00, weaker calves down to 65.00; few No 1 Holstein heifers 95-125 lbs 500.00-610.00, No 2 70-110 lbs 170.00-400.00.

Few beef type bulls and heifers 90-125 lbs 150.00-180.00.

HOGS 84...Barrows and gilts 5.00 to 6.00 higher. BARROWS AND GILTS: 49-54% lean 220-280 lbs 38.00-39.50,

210-215 lbs 39.75-41.50, 45-50% lean 240-275 lbs 35.75-37.75, 40-45% lean 275-340 lbs 30.00-34.50.

SOWS: few 1-3 350-495 lbs 18.00-18.25, few 535-545 lbs 20.75-21.25.

BOARS: 360-585 lbs 12.25-18.00, one 270 lbs at 21.00.

FEEDER PIGS 25...1-3 15-20 lbs 15.00, 40-45 lbs 37.00-42.00. — per hd.

SHEEP 37...SLAUGHTER LAMBS: Choice 20-45 lbs 75.00-97.00, 50-75 lbs 62.00-75.00 a single at 82.00, Choice 80-100 lbs 60.00-72.00. SLAUGHTER SHEEP: few 10.00-11.00.

GOATS 47...(All goats sold by the head with weights estimated). Kids: Selection 1 20-40 lbs 30.00, 40-60 lbs 40.00. Selection 2 under 20 lbs 12.00-17.00, 20-40 lbs 20.00-35.00, 40-60 lbs 40.00. Yearlings: Selection 2 40-60 lbs 25.00-30.00. Nannies: 70-100 lbs 40.00-67.00. Wethers: 50-70 lbs 60.00 Billies: 50-70 lbs 50.00-55.00, 70-100 lbs 80.00-97.00.

**Pa. Weekly**

13 Livestock Auctions

Friday, June 21

Report Supplied By PDA

CATTLE 4514...Compared with 4282 head last week and 4101 head a year ago. Compared with last week's summary...sl. steers steady to .75 lower, Holstein steers steady, sl. heifers steady to 1.00 lower, sl. cows active mostly 1.00 higher, bulls steady to 1.50 higher.

STEERS: High Choice and Prime 2-4 67.00-70.50, Choice 1-3 63.25-68.50, Select and Low Choice 2-3 63.00-67.25, Select 1-3 61.75-65.00, Standard 1-2 50.00-61.00.

HOLSTEIN STEERS: High Choice and Prime 2-3 57.75-60.75, Choice 2-3 53.25-58.50, Select 1-2 49.75-54.75, Standard 1-2 46.50-50.00.

HEIFERS: Choice 2-4 63.50-67.50, Select 1-3 58.00-64.25, Standard 1-2 50.25-56.00.

COWS: Breakers 75-80% lean 41.50-50.75 mostly 44.00-49.25, Boners 80-85% lean 37.50-46.00 a few to 48.00, Lean 85-90% lean 35.50-43.75 a few to 45.50 Shells 35.00 and down.

BULLS: Yield Grade 1 1000-2500 lbs 55.00-65.50, Yield Grade 2 900-2400 lbs 50.75-58.50.

FEEDER CATTLE: SCARCE

STEERS: Large 3 555-880 lbs 51.00-63.00, Medium and Large 1 235-500 lbs 78.00-94.00, Medium and Large 2 400-845 lbs 57.00-80.00; HEIFERS: Medium and Large 1 500-875 lbs 50.00-90.00, Medium and Large 2 350-700 lbs 50.00-74.00; BULLS: Large 3 400-500 lbs 50.00-56.00, Medium and Large 1 340-940 lbs 56.50-88.00.

CALVES 3576...Compared with 3493 head last week and 3346 head a year ago. Vealers steady. VEALERS: Choice 200-300 lbs 90.00-110.00, Good 140-300 lbs 80.00-96.00, Standard and Good 70-145 lbs 40.00-75.00, Utility 50-105 lbs 10.00-45.00 FARM CALVES: Holstein bulls mostly steady but closed the week 35.00 higher, Holstein Heifers 20.00 to 45.00 lower...No 1 Holstein bulls 85-130 lbs 117.50-160.00 late week sales 166.00-195.00, No 2 70-130 lbs 70.00-140.00, No 1 Holstein heifers 80-115 lbs 400.00-675.00, No 2 65-125 lbs 150.00-475.00, Beef type bulls and heifers 65-135 lbs 80.00-205.00.

HOGS 1420...Compared with 1298 head last week and 1998 head a year ago. Barrows and gilts .50 to 1.25 lower, Sows 3.00 to 5.00 lower. BARROWS AND GILTS: 49-54% lean 220-270 lbs 33.25-37.00, 45-50% lean 225-275 lbs 30.85-34.25, 40-45% lean 240-300 lbs 26.60-31.25.

SOWS: 1-3 300-500 lbs 15.00-19.50, 500-700 lbs 20.00-21.75.

BOARS: 13.00-15.00.

FEEDER PIGS 158...Compared with 224 head last week and 224 head a year ago. 1-3 30-55 lbs 21.50-49.00, 60-95 lbs 28.00-46.00. — per head.

SHEEP 1601...Compared with 1708 head last week and 1328 head a year ago. Slaughter lambs fully steady. SLAUGHTER LAMBS: Choice 40-80 lbs 80.00-90.00, 80-110 lbs 70.00-90.00, 110-130 lbs 70.00-90.00, Good and Choice 40-70 lbs 56.00-99.00.

FEEDER LAMBS: Good and Choice 30-70 lbs 42.50-69.00.

SLAUGHTER SHEEP: 25.00-40.00.

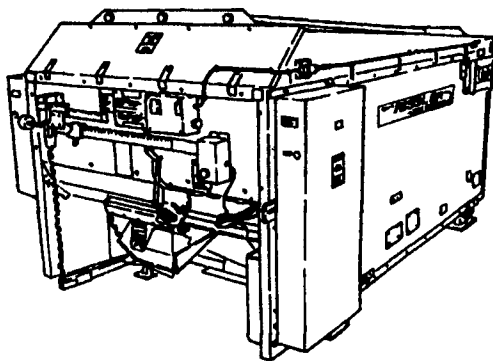
TWO GRADED FEEDER PIG SALE 1324...Compared with 423 head last week and 443 head a year ago. Feeder pigs weak to 30.00 lower, slaughter pigs 23.00 to 45.00 lower. 1-2 40-50 lbs 51.00-68.00, 50-60 lbs 45.00-65.00, 60-70 lbs 45.00-71.00, 70-80 lbs 48.00-59.00; Slaughter: 21-23 lbs 100.00-127.00, 30-37 lbs 115.00-132.00, 60-75 lbs 67.00-74.00 — per cwt.

SAVE \$\$ SAVE \$\$ SAVE \$\$ SAVE \$\$ SAVE \$\$ SAVE \$\$ SAVE

**SUMMER SPECIAL**

**5% OFF**

YOU WILL RECEIVE 5% OFF OF OUR REGULAR LOW PRICE ON ANY STATIONARY MIXER IF FULL PAYMENT IS MAILED WITH THE ORDER. OFFER MAY BE WITHDRAWN AT ANY TIME.



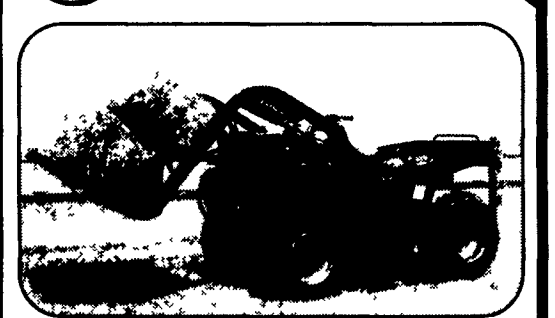
448 Orchard Road  
Mohnton, PA 19540  
717-484-0551

**← I.H. RISSLER →**  
**- TMR MIXERS -**

**CAUTION**  
USE OF THIS MACHINE MAY RESULT IN HIGHER PROFITS

SAVE \$\$ SAVE \$\$ SAVE \$\$ SAVE \$\$ SAVE \$\$ SAVE

**THE groundhog NEW!**



Heavy Duty Loader for ATVs

110 South Railroad Ave.  
New Holland, PA 17557  
**800-346-8319**  
Visit our website: [abcgroff.com](http://abcgroff.com)  
Monday thru Friday: 7:30-5:00; Saturday 7:30-Noon  
Other Times By Appointment

**Rogers Community Auction, Inc.**

"where buyer and seller get together"

**KEN, BILL BAER AUCTIONEERS**

One half mile west of Rogers, Ohio on St. Rt. 154  
330-227-3233

Tri State Area's Largest Open Air Market  
open every Friday

FREE PARKING • NO ADMISSION FEE

**CONSIGNMENT AUCTIONS**

Every Friday Furniture & misc. .... 1 p.m.  
Produce & Eggs ..... 5 p.m.  
Poultry Barn ..... 6 p.m.

**FIRST TUESDAY OF EACH MONTH**

**FARM EQUIPMENT CONSIGNMENT AUCTION**

3 p.m. Miscellaneous auction  
4 p.m. Garden tractor auction  
5 p.m. Firewood  
6 p.m. Farm Machinery

EVERY Wednesday 1 p.m. Hay & Grain Auction

FAMILY OWNED AND MANAGED SINCE 1955