

**Pa. Grain Report**  
June 10, 2002

Report Supplied By PDA

COMPARED WITH LAST MONDAY'S MARKET FOR EASTERN AND CENTRAL PENNSYLVANIA: Corn steady to .05 lower. Wheat steady to mostly .07 lower. Barley sharply lower as New Crop enters the market in southern counties. Oats mostly steady. Soybeans steady to .04 lower. Ear Corn mostly steady. PRICES PAID DELIVERED TO DEALERS DOCK, All prices per bushel, except Ear Corn per ton.

**SOUTHEASTERN PENNSYLVANIA**  
CORN No. 2-y, 2.32-2.50, avg. 2.39; contract for harvest 2.22-2.27. WHEAT No. 2, 2.70-3.10, avg. 2.87; contract for harvest 2.68-2.91. BARLEY No. 3, 1.35-1.50, avg. 1.44. OATS No. 2, 2.00-2.20, avg. 2.07. SOYBEANS 4.80-5.00 few to 4.88, avg. 4.88; contract for harvest 4.47-4.56. Gr. Sorghum, 2.17. Ear Corn 62.00-75.00, avg. 69.63.

**SOUTH CENTRAL PENNSYLVANIA**  
CORN No. 2-Y, 2.25-2.45, avg. 2.33; WHEAT No. 2, 2.50-2.80, avg. 2.60; BARLEY No. 3, 1.40-1.80, avg. 1.58; OATS No. 2, 1.80-1.85, avg. 1.83; SOYBEANS No. 1, 4.60-4.78, avg. 4.66. EAR CORN 60.00-70.00, avg. 65.00.

**WESTERN PENNSYLVANIA**  
CORN No. 2, 2.07-2.40, avg. 2.32; WHEAT No. 2, 2.50-2.67, avg. 2.59;

BARLEY No. 3, 1.77; OATS No. 2, 1.60-1.91, avg. 1.76; SOYBEANS No. 1, 4.89; EAR CORN 67-68.00, avg. 67.50.

**CENTRAL PENNSYLVANIA**  
EAR CORN No. 2, 2.40-2.50, avg. 2.44; WHEAT No. 2, 2.50; BARLEY No. 3, 1.75; OATS No. 2, 1.80-2.25, avg. 2.05; SOYBEANS, No. 1, 4.80-4.85, avg. 4.81; EAR CORN 65.00.

**LEHIGH VALLEY**  
CORN No. 2-Y, 2.35-2.43, avg. 2.39; WHEAT No. 2, 2.02-3.10, avg. 2.99; BARLEY, No. 3, 1.70; OATS No. 2, 1.75-1.90, avg. 1.85; SOYBEANS No. 1, 4.55-4.80, avg. 4.68; GRAIN SORGHUM 2.80. EAR CORN 71.00-75.00, avg. 73.50.

**EASTERN AND CENTRAL PENNSYLVANIA**  
CORN No. 2-y, 2.32-2.50, avg. 2.39; month ago 2.34, year ago 2.20. WHEAT No. 2, 2.70-3.10, avg. 2.79, month ago 2.73, year ago 2.41. BARLEY, No. 3, 1.40-1.70, avg. 1.53; month ago 1.80, year ago 1.41. OATS No. 2, 1.80-2.00, avg. 1.95; month ago 1.91, year ago 1.41. SOYBEANS No. 1, 4.60-5.00, avg. 4.79; month ago 4.42, year ago 4.25. EAR CORN 62.00-75.00, avg. 67.94, month ago 66.00, year ago 60.82.

**NORTH CENTRAL OHIO**  
(Prices FOB Truck): CORN 1.98-2.02; WHEAT 2.49-2.62; OATS 1.50; SOYBEAN MEAL: bulk 44% 168.10-171.00; bulk 48% 178.10-180.00.

**Kutztown Produce Hay Auction**

Fleetwood, Pa.

Report Supplied by Auction

Saturday, June 8, 2002

Hay—Straw—Grain

21 LOTS.  
ALFALFA HAY: 100.00.  
GRASSHAY: 59.00-125.00.  
MIXED HAY: 80.00-130.00.  
TIMOTHY HAY: 135.00.  
WHEAT STRAW: 100.00-105.00.  
RYE STRAW: 104.00-115.00.  
HAY: 1.30 SMALL BALES.  
SAT. HAY AND STRAW 9 A.M.

**Livestock Cooperative Auction Market Of North Jersey**

Hackettstown, N.J.

Report Supplied by Auction

June 11, 2002

Hay—Straw—Grain

ALFALFA: 1 LOT AT 2.60 BALE.  
MIXED HAY: 15 LOTS, 1.10-3.50 BALE.  
TIMOTHY: 1 AT 2.70 BALE.  
GRASS: 11 LOTS, .60-2.50 BALE.  
RYE STRAW: 2 LOTS, 1.40 AND 1.70.  
EAR CORN: 1 LOT AT 2.40.  
GROUND CORN: 1 LOT AT 4.40.  
SHELLED CORN: 2 LOTS, 3.40 AND 3.60.  
HARDWOOD POSTS: 1 LOT AT 2.20.  
35 LOTS TOTAL.

**Morrison's Cove Livestock Hay**

Martinsburg, Pa.

Report Supplied by Auction

Monday, June 10, 2002

Hay—Straw—Grain

ALFALFA: 162.00-177.50.  
GRASS: 82.50-90.00.  
TIMOTHY: 70.00-97.50.  
MIXED HAY: 72.50-140.00.  
ROUND BALES: 45.00-75.00.  
HAY AUCTION MONDAYS, 12:30 P.M. CALL KEN DOWNS, 814-793-3723.

**Middleburg Hay**

Middleburg, Pa.

Report Supplied by Auction

Tuesday, June 11, 2002

HAY: 18 LOTS. 32 LOTS TOTAL.  
ALFALFA: 2 LOTS, 70.00 AND 180.00.  
MIXED HAY: 9 LOTS, 110.00-145.00, 1.25 EACH SQ. BALES.  
TIMOTHY: 1 LOT AT 50.00.  
CLOVER: 1 LOT AT 85.00.  
MULCH ROUND BALES: 19 LOTS, 3.00 EACH.  
ORCHARDGRASS: 3 LOTS, 20.00-55.00.  
STRAW: 2 LOTS, 105.00 AND 115.00.  
EAR CORN: 7 LOTS, 87.00-102.00.  
BARLEY: 1.90 BU.  
OATS: 4 LOTS, 2.15-2.30 BU.

**Westminster Hay**

Westminster, Maryland

Report Supplied by Auction

Tuesday, June 11, 2002

Hay—Straw—Grain

91 LOTS.  
ALFALFA: 2.50-3.50 BALE.  
TIMOTHY: 1.40-3.50 BALE.  
MIXED HAY: .90-3.60 BALE.  
GRASS: .80-2.00 BALE.  
STRAW: 1.50-2.80 BALE.  
MULCH: .10-.75 BALE.

**Eastern Corn Belt Direct Hogs**

Des Moines, Iowa

June 12, 2002

Report Supplied By USDA

EASTERN CORN BELT DIRECT DAILY HOGS, for Wed., June 12, as of 1:30 p.m.

CURRENT VOLUME TODAY: Producer Sold: Negotiated Actual: 12,819; head; Other Market Formula: 5,741; Swine or Pork Market Formula: 30,167; Other Purchase Arrangement: 2,607; Packer Sold (All purchase types): Actual today: 644.

NEGOTIATED PURCHASES (Including packer sold): BARROWS AND GILTS: 9,754 head. Compared to prior day's close, .50 to .75 lower. Base Market Hog, 185 lb Carcass Basis, Plant Delivered (.9-1.1 inch backfat, 6 sq. in. loin/2.0 depth): Range: \$39.00-49.32, wtd. avg. \$46.89.

Prior week's average market hog, (measurements based on slaughter data submitted): 196.97 lb carcass based, plant delivered (0.84 inch backfat, 6.75 sq. inch loin/2.25 inch loin depth) FFLI: 49.75%; price range: \$43.00-52.82.

Purchase volume by state of origin: Alabama 562; Delaware 155; Georgia 786; Illinois 18,583; Indiana 11,978; Kentucky 1,635; Maryland 214; Michigan 4,358; Mississippi 2,675; New York 300; North Carolina 5,448; Ohio 5,797; Pennsylvania 3,423; South Carolina 1,013; Tennessee 785; Virginia 19; Wisconsin 1,474.

**New Holland Horses**

New Holland Sales Stables

Report Supplied by Auction

Monday, June 10, 2002

258 HEAD, MARKET LOWER.  
DRIVING HORSES 600.00-1500.00.  
RIDING HORSES 485.00-1325.00.  
REGISTERED RIDING 625.00-1735.00.  
BETTER RIDING FEW 1400.00-1575.00.  
PONIES 210.00-525.00.  
LARGE PONIES 675.00-785.00.  
COLTS 360.00-475.00.

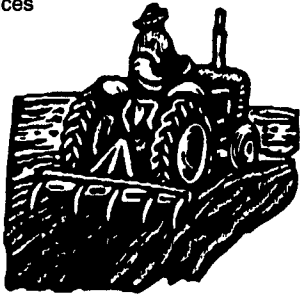


Southern Sates Cooperative, Inc.

Grain Marketing Division

Offering Competitive Prices

- Spot Sales
- Regular Contracts
- Basis Contracts
- Storage
- Deferred Payment Contracts



All payments made weekly

Call or visit our Marietta office at

1609 River Road

Marietta, PA 17547

717-426-1961

1-800-822-0769

Ask for Greg or Sandy

\*A recording of our Closing Bids

is available after 4.00 PM.

**CCA certification**

makes a difference

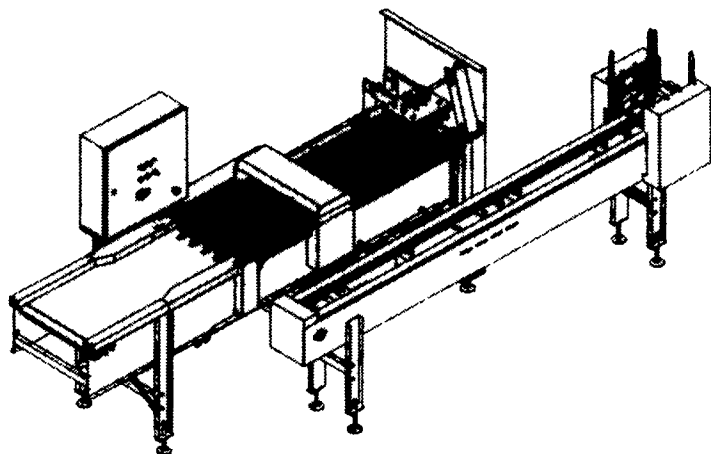
Today's farms demand expert advice and comprehensive services!  
Crops • Soils • Animal Operations  
Nutrient & Pest Management



Contact a Certified Crop Advisor Today

See [www.agronomy.org](http://www.agronomy.org) for a list of PA CCAs or call PennAg at 717.651.5920

**INTRODUCING... THE Pinner PSP-30 FARM PACKER**



- Available in 50 or 100 Case/Hr Versions
- Easy One Man Operation
- Optional Tray Stackers, Egg Counters and In/Out Conveying
- Let Us Provide A Complete Conveying and Packing Solution



Your Partner in Agri-Business

255 Plane Tree Drive, Lancaster, PA 17602  
Toll Free 800-HEC-0988  
Fax (717)291-1534

Email address-partsservice@hequip.com

Website: [www.hequip.com](http://www.hequip.com)

We are open Mon. - Fri. 6:30 a.m. to 5:00 p.m. • Our Service Department is Available 24 Hours a Day

**EMHERR**

Largest Farm And Home Store In The Area!

**HOT WEATHER SALE**

**FANS IN STOCK**

**SCHAEFER** Barn Stir Fans 24" & 36"

**Dayton** 36" & 48" Belt Drive 36" Direct Drive

**King Kutter - 10% Off In Stock Items**

6' Heavy Duty Rotary Mower #78720  
One Row C-Tine Cultivators  
6-1/2' Disk Harrow #781620  
3 Pt. Rotary Mower Starting At \$579

Also Stocking a Full Line of Hoses, Fittings & Quick Couplers

**Storage TANKS**

Many Shapes and Sizes Available

Mini Bulk Tanks Horizontal Leg Tanks  
Pickup Truck Tanks Applicator Tanks

Great For Storing Water or Liquid Fertilizer - Sizes to 5,000 Gal.

**ACE Hardware** Your Helpful Hardware Folks!

**EMHERR EQUIPMENT, INC. FARM & HOME CENTER**  
717-464-3321 or 800-732-0053  
[www.acehardware.com/emherr](http://www.acehardware.com/emherr)  
Herrville Rd & Rt 272 South  
2 1/2 Miles South of Willow Valley Square  
Not Responsible For Typographical Errors

Mon -Fri 6:30 am-8:00 pm  
Sat 7:30 am-6:00 pm

UPS Drop Point