

**Dairy Products
Prices Highlights**

Washington, D. C.
June 7, 2002

Report Supplied By NASS/USDA
DAIRY PRODUCTS PRICES HIGH-
LIGHTS:

CHEDDAR CHEESE prices received for US 40 pound Blocks averaged \$1.20 per pound for the week ending June 1. The price per pound increased 0.2 cents from the previous week. The price for US 500 pound Barrels adjusted to 38 percent moisture averaged \$1.17 per pound, down 1.7 cents from the previous week.

BUTTER prices received for 25 kilogram and 68 pound boxes meeting USDA Grade AA standards averaged \$1.04 per pound for the week ending June 1. The U.S. price per pound decreased 1.0 cent from the previous week.

NONFAT DRY MILK prices received for bag, tote and tanker sales meeting USDA Extra Grade or USPH Grade A standards averaged 89.9 cents per pound for the week ending June 1. The U.S. price per pound decreased slightly from the previous week.

DRY WHEY prices received for bag, tote and tanker sales meeting USDA Extra Grade standards averaged 17.0 cents per pound for the week ending June 1. The U.S. price per pound increased 0.3 cents from the previous week.

**East Fluid Milk
And Cream Review**

Madison, Wis.
June 12, 2002

Report Supplied by USDA

Spot prices of class II cream, dollars per lb. butterfat: F.O.B. producing plants: Northeast: 1.3917-1.4465.

PRICES OF CONDENSED SKIM, dollars per lb wet solids, F.O.B. producing plants: Northeast: Class II, includes monthly formula prices: .9200-1.0250; Class III - spot prices - .7500-.9600.

SPOT SHIPMENTS OF GRADE A MILK: FLORIDA: This week - In 0, Out 81; last week - In 0, Out 231; last year - In 0, Out 85. SOUTHEAST STATES: This week - In 0, Out 0; last week - In 0, Out 0; last year - In 0, Out 0.

Summer heat is beginning to take its toll on milk output in the Southern region while areas in the North continue to report heavy milk volumes. Milk shipments out of Florida decreased considerably for the week at 81 compared to 231 the week prior. Shipments out were expected higher until lower milk volumes from the increased temperature were realized. This is decreasing milk intakes into Northern

manufacturing plants and encouraging some balancing plant closures. Some handlers suspect that volumes may rebound slightly next week. However, volumes appear to have peaked and any excess milk produced will be readily managed. Heavy rain in parts of the North may hamper crop production schedules.

Some renewed retail interest is being reported for Class I milk improving Class I sales to no better than fair. Schools continue to dismiss classes for summer recess, decreasing Class I interest. Demand for fluid milk into Class II facilities is increasing. However, fluid milk movement into Class III plants is light as mozzarella cheese demand is slow. Some Northern handlers are diverting milk away from cheese facilities and into the Midwest region.

Sales of condensed skim into Class III facilities are nominal while interest for Class II skim is generally good. Into some facilities, condensed skim remains more attractively priced compared to NDM. Some locations are cutting back on their production of NDM to clear more supplies in the condensed form.

Cream supplies are tightening as ice cream interest increases in the warmer temperatures. While ice cream intakes of cream remain below seasonally expected levels, multiples are generally higher. Coupled with a higher weekly average AA CME butter price, cream prices are trending higher. Lower butter prices reported for the current week may encourage multiples to trend higher in the next week. Churning activity remains generally steady to somewhat reduced as cream is diverted into ice cream and cream cheese facilities.

**Livestock Cooperative
Auction Market Of
North Jersey**

Hackettstown, N.J.

Report Supplied by Auction
Tuesday, June 11, 2002

CALVES .05-4.30.
COWS .22½-.44½.
EASY COWS .10-.40%.
FEEDERS 300-600 LBS. .20-.95.
HEIFERS .32-.66.
BULLS .40-.60%.
STEERS .50%-.61%.
HOGS, NONE.
ROASTING PIGS EACH 14.00-83.00
EA.
BOARS .13%.
SOWS .20-.27.
SHEEP .10-.61.
LAMBS EA. 25.00-70.00.
LAMBS PER LB. .46-1.26.
GOATS EA. 45.00-162.50.
KIDS EA. 11.00-67.50.
500 HEAD.

New Holland Dairy Sale

New Holland Sales Stables
Report Supplied by Auction
Wednesday, June 12, 2002

136 DAIRY COWS, 115 HEIFERS, 3 BULLS. MARKET STEADY.
LOCAL FRESH COWS 560.00-1500.00, 1 AT 1685.00.
LOCAL SPRINGER 1075.00-1650.00.
BETTER FRESH COWS 1775.00-1925.00.
LARGE HEIFERS 1650.00-1775.00.
SHORT BRED HEIFERS 875.00-1410.00.
OPEN BREEDING AGE HEIFERS 900.00-1275.00.
BULLS: 800.00-925.00.
UPSTATE LOADS FRESH 1025.00-1750.00.
CANADIAN LOADS FRESH 850.00-1925.00, SPRINGERS 1075.00-1650.00.
FRESH HEIFERS 725.00-1600.00.
REGISTERED HEIFERS 1335.00-1600.00.

SMALL HEIFERS 900.00-1550.00.
SMALL OPEN HEIFERS 510.00-785.00.
SMALLER OPEN HEIFERS 200.00-500.00.

**Eastern Cornbelt Direct
Feeder Cattle Weekly**

Springfield, Ill.

June 7, 2002

Report Supplied By USDA

Eastern Cornbelt Direct Feeder Cattle Summary for Illinois, Indiana, Michigan, and Ohio: Feeder steers were 1.50-3.00 higher. Feeder heifers were unevenly steady in a light market test. Trading activity was slow and demand was light. Receipts this week: 57% beef type steers, 0% Holstein steers and 43% heifers. Confirmed sales 450 this week, 700 a week ago and 800 a year ago.

FEEDER STEERS: Medium and Large 1-2: 775-825 lbs 76.00-78.75.

FEEDER HEIFERS: Medium and Large 1-2: 550-650 lbs 79.75-81.75; load lot 734 lbs 77.50.

Prices are based FOB the farm unless otherwise indicated. Delivered prices include freight, commissions, and other expenses.

**Eastern Cornbelt Direct
Sheep Weekly Summary**

Springfield, Ill.
June 7, 2002

Report Supplied By USDA

Eastern Cornbelt Direct Sheep Weekly Report (includes lambs sold in IL., IN., OH., MI.) — Compared to last week slaughter lambs were mostly 2.00-5.00 higher for new crop lambs. Slaughter ewes were 1.00-2.00 lower. Demand for lambs was light to moderate. Supplies in the direct trade were light. Carcass lamb prices were 1.00-4.00 higher. Confirmed sales this week about 65% slaughter lambs, and 35% slaughter ewes, with an additional 678 head of goats. Total sheep and lambs sales: 1250; last week 725; last year 1750.

SLAUGHTER LAMBS: Choice 2-3 new crop 100-120 lbs 67.00-75.00 shorn; 65.00-67.00, few 62.00 woolled; 70-100 lbs 75.00-82.00.

SLAUGHTER EWES: Cull to Utility 18.00-20.00; Utility to Good 20.00-28.00, few up to 30.00; few Cull 15.00.

SLAUGHTER GOATS (cwt.): Kids: Selection 2: 20-40 lbs 90.00-104.00; 40-60 lbs 90.00-93.00. Selection 3: 20-60 lbs 50.00-60.00. Yearlings: Selection 2: 70-90 lbs 60.00-62.00. Does/Nannies and Bucks/Billies: Selection 2-3: 80-125 lbs 50.00-60.00, few 40.00.

This report covers sheep and lambs sold direct off the farm through local country stations.

Note: receipts do not cover total movement in the area.

The summer issue of *Foraging Around*, the newsletter of the Pennsylvania Forage and Grassland Council, is scheduled July 13 in *Lancaster Farming*.

The section is scheduled to include feature information about Project Grass. Included: grazer features, grass-fed beef reports, and news and notes for the grazer and hay grower.



Whether you chop or bale, get the

**Best quality
hay & silage**

Hay Buddy
POWER MERGER

Keep the leaves and leave the rocks. Forward Flow™ design handles high volume. Rugged single pickup has fewer moving parts. Reduces harvester trips across the field, and damaging compaction.

Cam Action Single & Twin Rotary Rakes

Working width: Single-up to 14'. Twin-up to 25'. Most agree that rotary rakes outperform other rakes for high quality feed. Miller Pro single & twin models are built with significantly more steel than imports. Gentle sweeping action saves more leaves, and allows faster working speed. Makes higher, fluffier, faster drying windrows.



Most choices of forage and high lift dump boxes.

Series II forage blowers fill the tallest silos.

MILLER PRO

get more for your money ★ www.millerprofarm.com

ALLEN FARM EQUIPMENT CO., INC.
Schaghticoke, NY
518-692-7275

CLUGSTOWN AG & TURF, INC.
Chambersburg, PA
717-263-4103

FOSTERDALE EQUIPMENT CORP.
Cochection, NY
845-932-8611

LONGENECKER'S INC.
Williamsburg, PA
814-793-3731

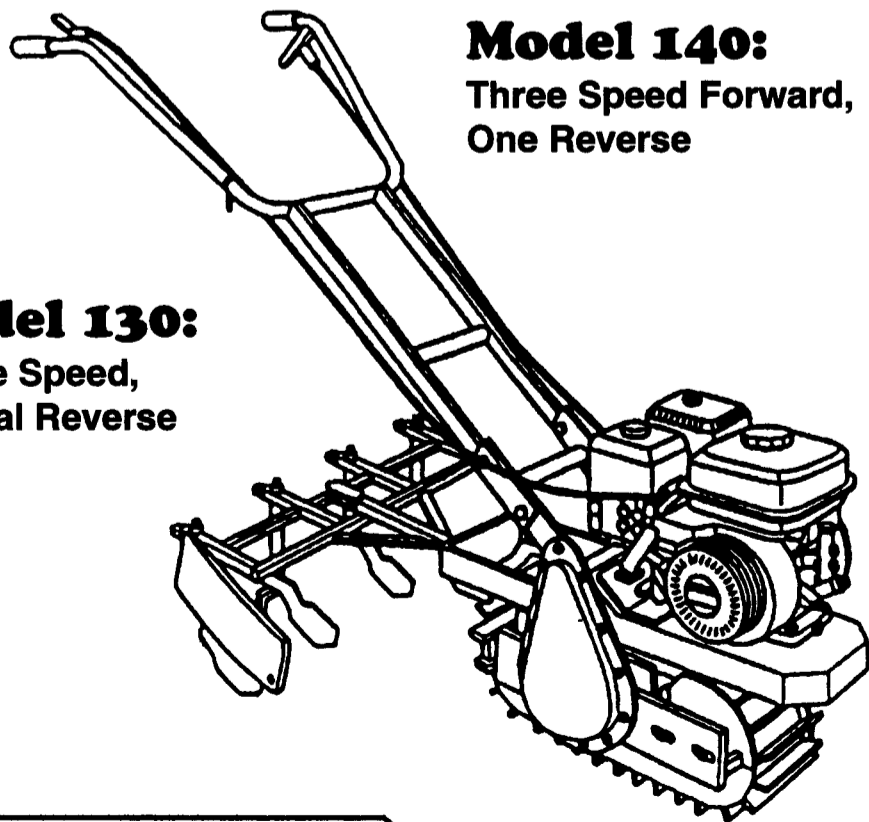
MESSICK FARM EQUIPMENT
Abbottstown, PA
717-259-6617
Elizabethtown, PA
717-367-1319

STANLEY'S FARM SERVICE
Klingerstown, PA
570-648-2088

ZIMMERMAN FARM SERVICE
Bethel, PA
717-933-4114

SUMMER SPECIAL - 15% OFF

- Vegetable Cultivator -



Model 140:
Three Speed Forward,
One Reverse

Model 130:
Single Speed,
Manual Reverse



**Mohnton, PA
(717) 484-0551**