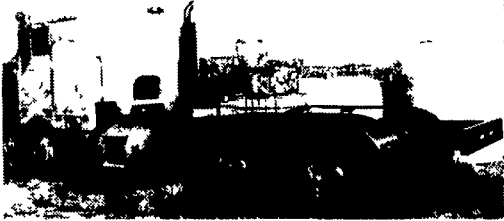


1982 Chevy, 366, Recently Overhauled, 1600 Gal. 2 Compartment, Stainless Steel Tank, Almost New Tires, PTO System



1978 Peterbilt Cab, Big Cam 400 Cummins Reman Engine, Less than 40,000 Miles on Engine, Almost New Rubber, Heavy Duty Frame, PTO

**Gro-Mor Plant Food Co.**  
Leola, PA  
717-656-4166

'89 Ford dump truck, tandem w/snowblade Model LTL9000, Cat 3 eng, AC, alum bed w/reinforced steel liner, 290,000 mi, \$27,000. 20 ton trailer, '95 Towmaster, air brakes, new tires, \$7500. 943 Cat loader 9999 hrs, '86 ex cond, maintenance records avail. \$38,000. 3 ft JD bkt, used once \$800. 301-293-1466

1959 Chevy Viking 60 cab & chassis, 350 eng, PTO & valve. 410-775-0086.

'87 Peterbilt, rebuilt 8:3 Cummins, 6spd, 21' flat-bed, air brake, 30,000 GVW, good cond, \$8,900 OBO. 717-626-1394.

77 Chevy, 24' rollback & dump, air brake, 240hp, dsl, 5+2 spd, good cond, \$8,900 OBO. 717-626-1394.

1994 Wilson hopper trailer, 42Lx96Hx96W, exc. shape, priced to sell. Call Darren @ 717-264-8186 Please leave message.

99 F250 super cab, diesel, 4x4, Blue/Silver, beautiful, \$20,995; 01 F250 super cab, V10, 4x4, only 2900 mi. like new, \$31,995/neg; 95 F150 super cab, 4x4, only 46k mi., Red, not used much, \$13,995; 97 Chev. Suburban DIESEL LT, loaded, leather, 4x4, 1 owner, super clean, \$18,995. 717-940-3924.








**KEYSTONE TRAILERS Inc.**

Motorcycle - ATV - Snowmobile  
Utility - Landscape - Cargo  
Car Haulers - Race Trailers  
Hydraulic Dumps - Concession  
Construction - Equipment Haulers

1500# to 12 Ton Capacity  
8' to 48' Length

**90 DAYS SAME AS CASH AVAILABLE**

**SALES • PARTS • SERVICE • HITCHES**  
1657 Rohrerstown Rd. • Lancaster, PA 17601  
Phone 717-581-9020 • Fax 717-581-9055  
www.keystonetrailers.com  
Leasing & Financing Available  
Mon.-Wed.-Fri. 8:00 a.m. to 6:00 p.m.  
Tues.-Thurs. 8:00 a.m. to 5:00 p.m.  
Sat. 8:00 a.m.-12:00 noon

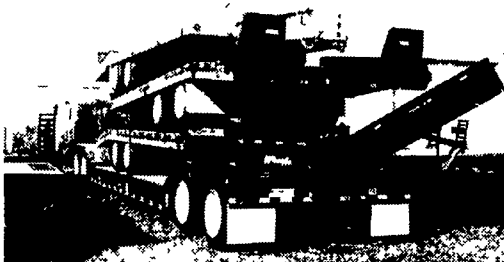
Replacement Parts - Accessories  
Lighting - Wiring  
Hitches & Towing Accessories  
Brake Control - Ramps -  
Tie Downs - Tool Boxes -  
Motorcycle Carriers - Cargo  
Carriers - Wheels & Tires -  
Bicycle Racks - Load Control  
Straps & Equipment  
On Site Tag, Title & Registration

**NOW IS THE TIME TO BUY  
YOUR TRAILER! SEE US  
AT BINKLEY & HURST!**

Place Your Order Now and Be Ready For Spring - Good Financing Plans!

**Binkley & Hurst Bros. Offers....**

**Eager Beaver. DISCOUNT SALE ON  
NEW 20-TON HIGH TENSILE TRAILERS**



**Eager Beaver. IT PAYS TO OWN  
THE BEST!**

**NEW 20 XPT EASY LOADER  
IN STOCK**

- 20 Ton Air Brakes, 8° Loading Angle Low Profile
- CAPACITY 40,000 lbs • Trailer Weight 8,400 Lbs
- Overall Width 102", Length 31'4"
- Deck Width 102", Length 25', Height 34" (Optional 96" Width)
- Ramps 72" Long x 21-1/4" Wide Range 102" Max 23" Min
- Tires Eight 215/75R17.5 (H) Optional Aluminum Extension Ramps (shown)

**In Stock**



The Complete Line of Eager Beaver Trailers

**Who's going to be  
with you down the road?**

There are few things in life that are this dependable. Although many look-a-likes are on the road today, no other trailer company provides the latest technology and more innovations, than Eager Beaver 100% sealed modular wiring harness, Roto-Rings® and one-piece mainframes are standard features on tag-als and detachable lowboys.

For over 50 years, Eager Beaver has been manufacturing high quality construction equipment trailers from 5-70 ton capacity. We use only the highest quality components on the market to ensure a safer, more reliable and dependable trailer. Just as important, our network of dealers throughout North America provide security that we're always near when you need us!

**Also Several Used Detachable Trailers  
IN STOCK!**

**BINKLEY-HURST  
BROS. INC.**  
133 Rothsville Station Rd.  
P.O. Box 0395, Lititz, PA 17543-0395  
(717) 626-4705 1-800-414-4705 Fax (717) 626-0996



7760 Allentown Blvd.  
Harrisburg 717-671-9115

Trailer Repairs & Fabrication 717-795-9902 Orders 800-622-7003

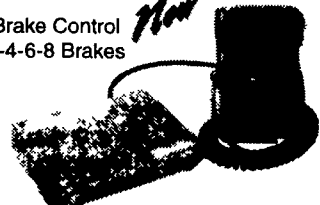
HOURS Mon., Tues., Wed & Fri 8-5, Thurs 8-8; Sat 8-2

**Truck & Trailer Parts  
& Accessories**  
Distributor  
www.allproducts.com


6250 Carlisle Pike  
Mechanicsburg 717-795-9116

Trailer Financing Available or


Brake Control  
2-4-6-8 Brakes



**DRAW-TITE**  
Hand Held Brake Control



Weight Distributing Hitch

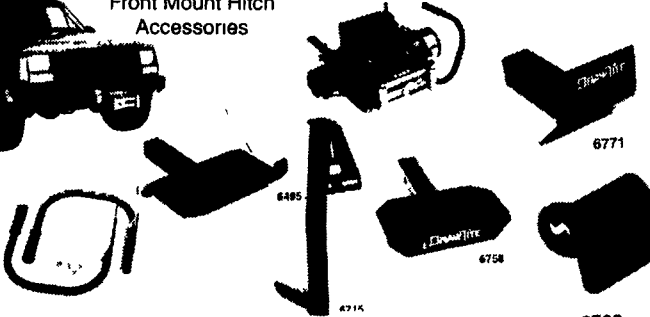


**New Spring Bar Design**

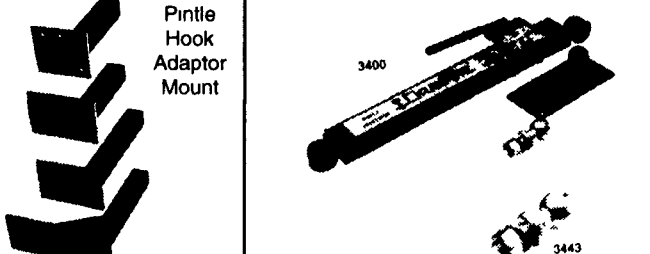
**DRAW TITE PRODUCTS**



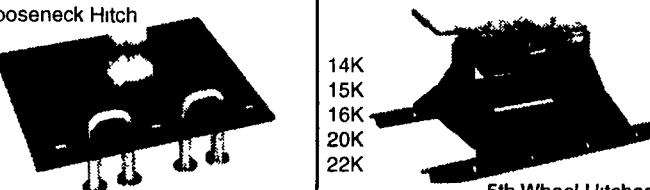
Front Mount Hitch Accessories



Pintle Hook Adaptor Mount




Gooseneck Hitch



14K  
15K  
16K  
20K  
22K

5th Wheel Hitches

Hitch Extension



**WALLACE & BUYERS PRODUCTS**

**Dual Purpose Hitch with dual locking assembly AMERICAN MADE**