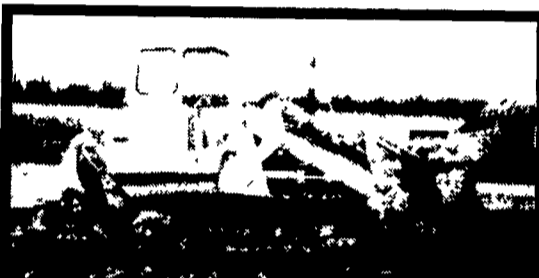


# Construction Equipment Continues In Back of Section C

JD 450/550 G dozer & loader parts	
JD 550G, 4000 winch	\$6,200
JD 450, 3305 winch	\$2,500
JD 555 loader brush rake w/hyd clamp	\$2,800
JD 450 loader brush rake w/hyd clamp	\$1,500
JD 450 dozer tracks, 16" pads, 50% U/C	\$500
JD 310 backhoe, 24" bkt	\$350

Call 814-371-0449



**CAT 955K TRAXCAVATOR**  
 4 IN 1 BUCKET - BLADE - RIPPER  
 OVERHAULED ENGINE - GOOD UNDERCARRIAGE  
**\$16,500**  
 EVE. 610-285-2746

**BUYING & SELLING USED CONSTRUCTION EQUIPMENT, NEW & USED PARTS & ATTACHMENTS**

CALL  
**H.E.L.P., INC.**  
**(717) 469-0039**  
**(717) 469-7679 FAX**

Specializing In Caterpillar Parts also available for Case, Fiat, IHC, Komatsu, Deere, Etc.  
**ALL PARTS AT DISCOUNT PRICES!**  
**\*\*PARTS LOCATING SERVICES\*\***  
*Call Us For Your Parts & Service Manual Needs*

**HEAVY EQUIPMENT LOADER PARTS, INC.**  
 10070 Allentown Blvd. Grantville, PA 17028



**Caterpillar 966C Loader**  
**\$8,500**

Heavy Equipment Loader Parts  
 Grantville, PA  
 (717) 469-0039 • 1-800-446-0505

Rollers- Dyanpac 1-ton Wacker Vib dual 2T, JD 410 ldr backhoe, Case 1845C skid ldr w/5' hyd sweepster & 6' York rake, Promark 4" chipper 3pt, Boss Tri 6T DP, 1000lb Stanley breaker, Case 850 doz. Berks Co. 610/326-4969

93 580 Super K, 4x4, cab, ext. hoe, good condition, \$20,000. 717-456-9110

AC Bull Dozer, HD21, 12' blade, good, \$10,000 or trade for equal value. Orange Co., NY 845-469-6470.

'92 Nissan forklift, new pneumatic tires, side shift, 1900 hrs, ex cond, \$7500. 717-776-3322

'58 JD 440 crawler w/831 loader, good tracks, runs good, \$6000. Call evenings 814-736-9508

Roller, Gallion 3-wheel, 8-10 ton, 6 cyl. gas engine, SN CRG42795, good cond., \$1000. 215/679-5676

Roller, Gallion 2 drum, 3-5 ton, 4 cyl. gas engine, SN TC35639153, good cond., \$1000. 215/679-5676

Bradco Backhoe attach. for skidsteer, 1998, 11MD2, exc. cond., xtra bkt., 570-784-7856.

'87 Bomag 120, 3-6 ton double drum drive roller, 151 hrs, new hyd drive motors, \$9970. 17-872-4897

Cat 955K 85J-S/N, 3304 hp, 60% UC, bolt on cutting edge segment w/teeth, fair/good condition, \$15,500. 717-272-8211

'95 Peterbilt 357, wetline, sub-frame for dump bed & hyd cyl. 16 ft steel dump body, 730 Allied hyd breaker, MB 875 Stanley hyd breaker. 717-738-1560

New excavator bucket 24" \$2,500; 36" 2,900, 42" 3,200; 48" 3,500; 54" 3,700; 60" 3,900; 888-726-7863.

## Buy the Best Post Frame Building Materials

### Grandrib 3<sup>®</sup> PLUS



All this adds up to...

- Grandrib 3<sup>®</sup> PLUS is backed by an industry leading:
- 35 Year Sidewall & 30 Year Roof Paint Warranty
- 25 Year Sidewall Corrosion Warranty
- 20 Year Roofing Corrosion Warranty
- 10 Year Edge Rust Warranty



Complete Building Packages, Trusses And Glue-Laminated Timbers

717-866-6581  
 701 E. Linden St.  
 Richland, PA 17087



301-334-3977  
 1283 Joni Miller Rd.  
 Oakland, MD 21550

The Best Metal Warranty

10 Layers of Protection

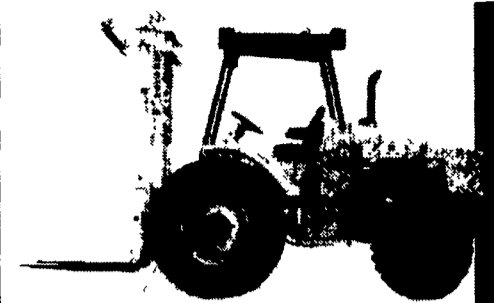
Up to 50% Stronger

Thicker 29 Gauge Steel

25% - 50% More Galvanized Coating



IN STOCK! READY TO WORK!

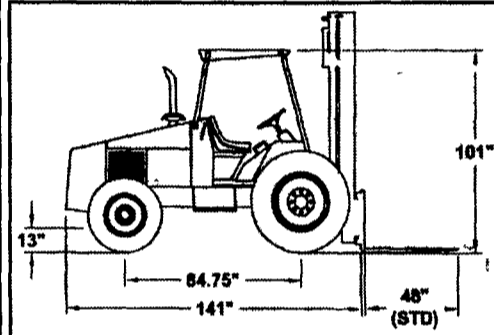
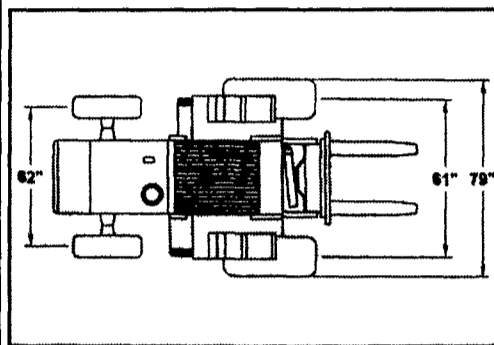


**HARLO PRODUCTS**

Introduces the New **HD4500**

**Narrow-Trac Series Rough-Terrain Forklift**

Short Turn Radius



### HARLO HD4500

Cummins 65 HP,  
 2 Wheel Drive, 4500 Lb.,  
 14 Ft. Height Roller Mast

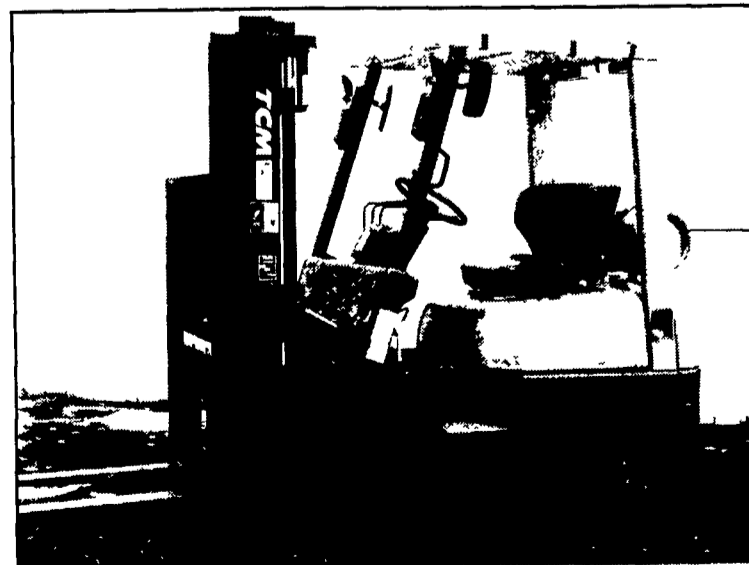
Reg. Price \$39,000  
**Sale Price \$29,850**  
 Ask About Financing!

**BINKLEY-HURST BROS. INC.**

133 Rothsville Station Rd.  
 P.O. Box 0395, Lititz, PA 17543-0395  
 (717) 626-4705 1-800-414-4705 Fax (717) 626-0996

Dutch Country Fancy Deal

## GOING OUT OF BUSINESS



### TCM FORKLIFT

700 Series, LP Gas, 600 Hrs, 1997 • **\$9,500**

Meat Processing Equipment for Sale also

Call 610-775-1220 717-865-7415 Cellular 717-926-5192