

PRODUCE MARKETS

Philadelphia Vegetables

Terminal Market
February 27, 2002

Report Supplied By USDA

VEGETABLES -ARTICHOKES OFFERINGS INSUFFICIENT TO QUOTE -ASPARAGUS MARKET LOWER per ctns/crts 28 lb bchd MX lge 38.00-42.00 mostly 40.00-42.00 few 44.00 std few 45.00 11 lb ctns/crts bchd MX exlge 15.00-16.00 mostly 16.00 lge 15.00-16.00 one label 19.00-20.00 std 15.00-18.00 one label 20.00-22.00 sml 14.00 few low as 12.00 -BFANS MARKET SLIGHTLY LOWER buctns/crts FI Round Green Type Handpicked 18.00-20.00 Machine Picked 16.00-20.00 mostly 18.00 5 lb ctns GU Hericot Vert (French Type) 12.00-14.00 mostly 12.00 30 lb ctns/crts MX Round Green Type Handpicked 25.00 -BFETS MARKET STADY 25 lb filmbags lse TX med 5.00 -BROCCOLI MARKET ABOUT STADY ctns AZ bchd 18s 7.00 CA bchd 14s 6.00-8.00 few 9.00 one label 10.00 fair cond 4.50 FI bchd 14s 6.00 20 lb ctns lse CA Crown Cut 8.00-10.00 few 7.00 MX Crown Cut 9.00 -BRUSSELS SPROUTS 25 lb ctns MX 20.00 -CABBAGE MARKET ABOUT STADY 1 1/2 bucrts & 50 lb ctns CD Round Green Type med 6.00-6.50 FI Round Green Type med 7.00-7.50 lge 6.00-7.00 Red Type med 11.00 sml-med 8.00-10.00 NY Red Type med few 8.00 TX Round Green Type med 7.00-8.00 mostly 7.00-7.50 Red Type med 11.00 50 lb sks NY Round Green Type lge 4.50-5.00 1 1/2 bucrts & 40 lb ctns TX Savoy Type med-lge 11.00-12.00 -CARROTS MARKET 50 LB SKS JUMBO HIGHER, OTHERS ABOUT STADY sks 48 1-lb filmbags CA Topped med-lge 13.00-14.00 mostly 13.00 CD Topped med-lge 7.50-8.00 sks 24 2-lb filmbags CA Topped med-lge 14.00 sks 10 5-lb filmbags CA Topped med-lge 14.00 CD Topped med-lge 6.00-7.00 50 lb sks lse CA Topped jbo 11.00-12.00 CD Topped jbo 8.00-9.00 mostly 8.00 ctns bchd CA Bunched 24s 12.00 ctns 24 1-lb filmbags CA Baby Peeled 17.00 ctns 20 1-lb filmbags CA Baby Peeled 13.00-15.00 ctns 12 2-lb filmbags CA Baby Peeled 17.00 -CAULIFLOWER: MARKET SLIGHTLY LOWER ctns flmwrpd AZ 12s 7.00-8.00 9s 7.00-8.00 CA 12s 7.00-8.00 some 6.00 few high as 10.00 -CELERY: MARKET LOWER ctns CA 2 dz 18.00-21.00 some low as 16.00 2 1/2 dz 17.00-20.00 some low as 16.00 3 dz 15.00

flmbs 30s 20.00-21.00 flmbs 36s 18.00 FI 2 dz 14.00 2 1/2 dz 14.00 few high as 18.00 3 dz 13.00 -CHINESE CABBAGE: 30 lb ctns CA Nappa 14.00 50 lb ctns FL Nappa 9.00-10.00 -CORN-SWEET: MARKET ABOUT STADY wbcrtcs FI Yellow 4-4 1/2 dz 10.00 fair qual 8.00-9.00 White 4-4 1/2 dz 12.00 -CUCUMBERS: MARKET ABOUT STADY 1 1/9 buctns/crts MX med 20.00-22.00 mostly 20.00 few high as 24.00 fr qual 16.00 few 18.00-20.00 ord qual 10.00-14.00 fair cond 6.00-8.00 -FGGPIANT: MARKET ABOUT STADY 1 1/9 buctns/crts MX 18s 13.00 24s few 14.00 35 lb ctns HD Chinese 24.00-25.00 -FNDIVE: MARKET STADY FI 13.00 few 15.00 -GARLIC: MARKET STADY 30 lb ctns AG White super col 36.00 col 33.00 CA White super col 36.00 col 31.50 super jbo 30.00 exbo 28.50 CQ White # 9 32.00 # 11 34.00-36.00 10 kg cntrs AG White # 6 22.00 CI Purple # 8 18.00 # 9 20.00 # 10 22.00 # 11 24.00 -GRFFNS: MARKET ABOUT STADY ctns bchd AZ Kale 24s 9.00 CA Swiss Chard 12s 14.00 Red 12s 14.00 TX Collard 24s 7.00 Kale 24s 7.00 Mustard 24s 7.00 Turnip Tops 24s 7.00 Dandelion 12s 10.00 Kohlrabi 12s 9.00-10.00 Swiss Chard 12s 10.00 Red 12s 10.00 ctns/crts bchd NC Collard 6.00-6.50 Kale 5.50-6.50 mostly 6.00-6.50 Mustard 7.00 Turnip Tops 7.00 Rape 7.00 ctns lse CA Kale Flowering 24s 13.00 20 lb ctns MX Broccoli Rabe 24s 15.00-16.00 -LETTUCE-ICEBERG: MARKET SLIGHTLY HIGHER ctns AZ 24s 25.00-28.00 mostly 25.00-27.00 Wrapped 24s 27.00-30.00 mostly 28.00 some high as 32.00 30s 25.00 few high as 28.00 CA 24s 25.00 fair cond 15.00-20.00 Wrapped 24s 27.00 -LETTUCE-OTHER: MARKET I FAF LOWER, OTHERS ABOUT STADY ctns AZ Green Leaf 24s 28.00-30.00 Red Leaf 24s 28.00-30.00 CA Green Leaf 24s 28.00-32.00 Red Leaf 24s 28.00-32.00 3 lb ctns CA Mesculin Mix 7.00 -LETTUCE-ROMAINE: MARKET ABOUT STADY Wide range in quality. ctns AZ 24s 34.00-37.00 CA 24s 33.00-37.00 -MUSHROOMS: MARKET STADY 10 lb ctns PA lge 14.00 med 11.50 4 qt bkts PA med-lge 6.50 sml-med 6.00 5 lb ctns PA Oyster 16.00 Portobellas 9.00 sml 8.00 3 lb ctns PA Shiitake 13.00 fair qual 11.00 Oyster few 12.00 ctns 12

8-oz trays flmwrpd PA 10.25 ctns 8 1-lb trays flmwrpd PA exlge 14.00 ctns 10 10-oz trays flmwrpd PA 10.25 few 10.50 -OKRA: 15 lb crts HD sml-med 25.00-26.00 -ONIONS GREEN: MARKET GREEN ONIONS LOWER, LEEKS ABOUT STEADY ctns bchd MX 48s 9.00-12.00 mostly 10.00 48s lge 14.00 Leeks 12s 12.00 one lot 8.00 TX Leeks 12s 12.00-14.00 -PARSJFY: MARKET ABOUT STEADY ctns bchd AZ Plain 60s 11.00-12.00 mostly 11.00 Plain 60s 11.00-12.00 mostly 11.00 1 1/9 buctns/crts bchd FL Curly 60s 9.00-10.00 mostly 10.00 Plain 60s 9.00-10.00 mostly 10.00 -PARSNIPS: TOO FEW SALES TO QUOTE -PFAS GRFFEN: MARKET STADY 10 lb ctns GU Snow Peas 10.00-12.00 mostly 11.00-12.00 Sugar Snap Peas 11.00-13.00 mostly 12.00-13.00 -PEAS OTHER: OFFERINGS INSUFFICIENT TO QUOTE -PEPPERS MARKET ABOUT STEADY 1 1/9 buctns MX Bell Type Red lge fair qual 18.00-20.00 fair cond 10.00 1 1/9 buctns/crts FL Bell Type Green jbo 10.00 exlge 9.00-10.00 mostly 10.00 some 8.00 lge few 10.00 fair qual or cond 7.00 med few 8.00 Mxd Red And Green exlge 7.00 15 lb ctns MX Bell Type Red lge 12.00-14.00 5 kg ctns IS Bell Type Orange 80-100mm 23.00-24.00 Red 80-100mm 18.00 Yellow 80-100mm few 20.00 SP Bell Type Orange 90-110mm 24.00 Red 90-110mm 18.00 Yellow 90-110mm 20.00 -PEPPERS OTHER: 1/2 buctns FI Finger Hot 8.00-10.00 Jalapeno 10.00 Serrano 15.00 Poblano 13.00-14.00 8 lb ctns MX Habanero 18.00 -RADISHES MARKET SLIGHTLY HIGHER ctns tpd 30 6-oz filmbags FL Red 7.50-8.00 fair cond 6.50 ctns tpd 14 1-lb filmbags

FL Red 9.00 ctns bchd MX Red 24s 8.00 -RHUBARB: OFFERINGS NONE -RUTABAGAS: 50 lb ctns CD CDOne med 8.00 50 lb sks CD CDOne med 9.00 -SPINACH: MARKET ABOUT STEADY ctns bchd MX Flat 24s 14.00-15.00 1 2/5 bucrts bchd CA Flat 24s 13.00-14.00 ctns 4 2 1/2-lb filmbags CA Flat 15.00 4 lb ctns CA Flat Baby Type 13.00 -SQUASH: MARKET SLIGHTLY HIGHER 1/2 buctns/crts FL Zucchini sml-med 12.00 med 10.00 Yellow Straightneck sml-med 10.00 med 8.00-10.00 1 1/9 buctns/crts MX Acorn sml 22.00 Butter-nut med 18.00 Spaghetti med 18.00 4/7 buctns MX Zucchini sml-med 10.00-12.00 mostly 12.00 med 8.00-10.00 mostly 10.00 Yellow Straightneck sml-med few 16.00 med few 14.00 fair qual 6.00-7.00 -SWFFT POTATOES: MARKET STADY CURED 40 lb ctns 1A U.S. One Beauregard med 15.00-16.00 NC U.S. One Beauregard med 11.00-12.00 fair qual 9.00 -TOMATOES: MARKET HIGHER 25 lb ctns FI Vine Ripes light red 5x6s few 14.00 85% U.S. One or Better Mature Greens light red 5x6s 11.00 few 12.00 6x6s 9.00 Local Repack 85% U.S. One or Better Mature Greens light red-red 5x6s 14.00 6x6s 13.00 6x7s 13.00 flts 1 lyr MX Vine Ripes Greenhouse light red-red 25s 17.00-18.00 30s 17.00-18.00 ctns 2 lyr MX Vine Ripes light red 4x5s 10.00 5x5s 10.50 5x6s 8.50 5 kg ctns on the vine IS Vine Ripes Greenhouse red med 18.00 SP Vine Ripes Greenhouse red med 18.50-19.00 -TOMATOES, CHERRY: MARKET ABOUT STADY flts 12 1-pt bkts FL light red-red 6.00-8.00 flts 12 1-pt cntrs with lids FI Grape Type red 11.00-13.00 few 14.00 fair cond 10.00 flts 12 1-pt bkts MX red 7.00-9.00 mostly

7.00-8.00 -TOMATOES, PLUM TYPE: MARKET MX HIGHER, FL ABOUT STEADY 25 lb ctns FL light red 12.00 sml 9.00-10.00 MX light red 12.00 few high as 14.00 -TURNIPS: 25 lb filmbags NJ Purple Top med 7.00 -VEGETABLES OTHER: 8 lb ctns CA Radicchio 9s 8.00-9.00.

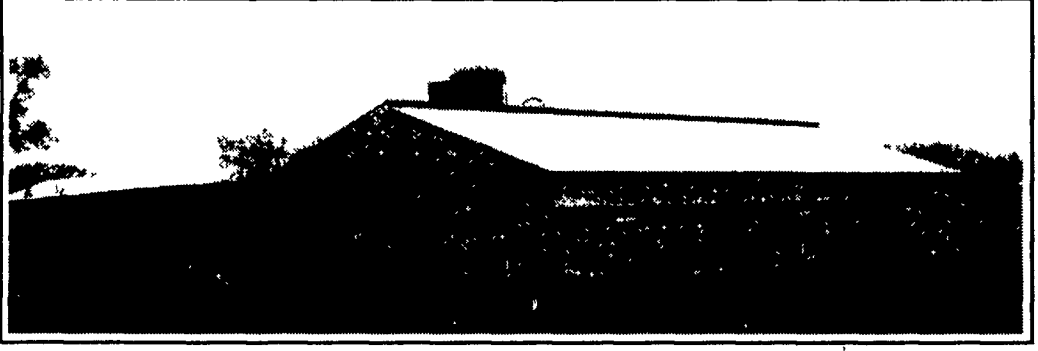
Philadelphia Herbs

Philadelphia Terminal
Prices as of February 27, 2002
Report Supplied By USDA

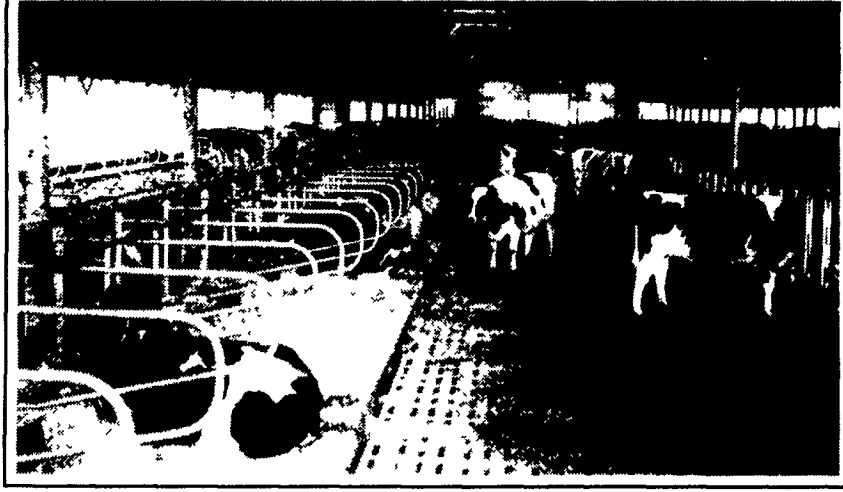
MISC HERBS -ANISE: 1/2 ctns CA 18s 12.00-14.00 24s 12.00-14.00 -ARRUGULA: 4/5 bucrts bchd FL 24s 12.00 4 lb ctns CA Baby type 14.00 -BASIL: ctns bchd FL 15s 10.00-14.00 mostly 12.00-14.00 1 kg ctns bchd IS 12s 13.00 -CELERIAC (CELERY ROOT): 15 lb lugs CA 11.00 -CHERVIL: OFFERINGS INSUFFICIENT TO QUOTE -CHIVES: 1 kg ctns bchd IS 12s 18.00 -CILANTRO: 4/5 bucrts bchd FL 30s 9.00-11.00 ctns approx 20 lbs TX 30s 15.00-16.00 -DILL: ctns bchd TX 24s 10.00 crts bchd FL 24s 8.00-10.00 ctns approx 20 lb TX 24s 13.00-14.00 -DRY ESCHALLOT: 10 lb sks NL 10.00 -HORSERADISH: TOO FEW SALES TO QUOTE -MARJORAM: 1 kg ctns bchd IS 12s 13.00 -MINT: crts bchd FL 12s 7.00-8.00 mostly 8.00 1 kg ctns bchd IS 12s 10.00 -OREGANO: 1 kg ctns bchd IS 12s 13.00 -ROSEMARY: 1 kg ctns bchd IS 12s 13.00 -SAGE: 1 kg ctns bchd IS 12s 13.00 -THYME: 1 kg ctns bchd IS 12s 13.00 -WATERCRESS: ctns bchd FL 12s 7.00 24s 11.00-11.50 mostly 11.50



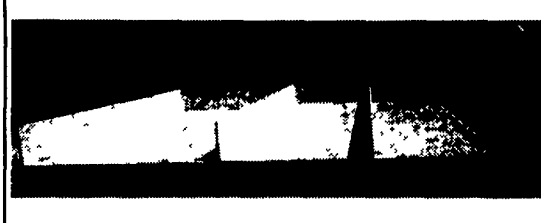
477 East Farmersville Rd.
New Holland, PA 17557
(717) 355-2361



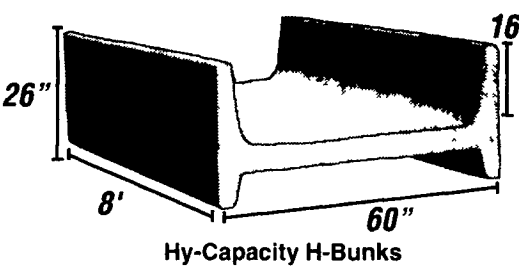
Concrete Slatted Free Stall Barn



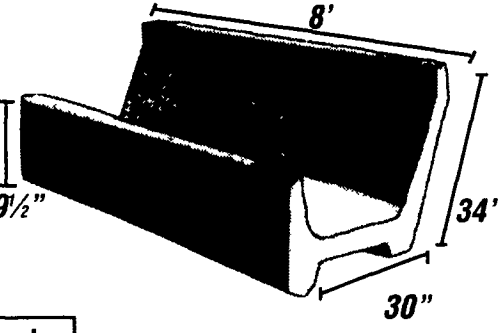
Long Core Cattle Waffle Slats



Precast Concrete T-Wall
Bunker Silos or commodity
buildings built to suit your
needs. Bunkers available
in 8 Ft. or 12 Ft. High



Hy-Capacity H-Bunks



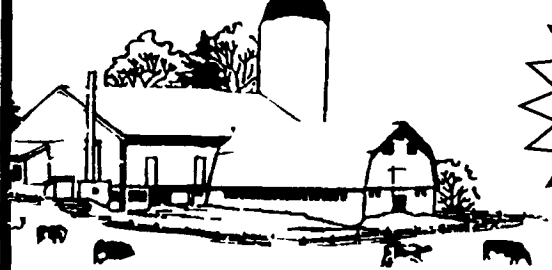
Slant Back J-Bunks

End Sections Available For Feed Bunks

Give us a call for more information on hog, beef, dairy and heifer barns.

WHITEWASHING with ADVANTAGE FARM WHITE

- DRIES WHITE • NO WET FLOORS
- IS COMPATIBLE WITH DISINFECTANT AND FLY SPRAYS
- DOES NOT RUB OFF EASILY
- WASHES OFF WINDOWS & PIPELINES EASILY



10% CASH
Discount
through Month
of March 2002
on Total Bill

BARN CLEANING SERVICE AVAILABLE WITH COMPRESSED AIR

To have your barn cleaned with air it will clean off dust cob webs & lots of the old time
This will keep your barn looking cleaner & whiter longer

CALL US ABOUT ON THE FARM FLY CONTROL

Serving Southeastern Pa. And More

BEITZEL'S SPRAYING

Witmer, PA 17585 717-392-7227 or
Toll Free 1-800-727-7228 7:00 AM to 5:00 PM

CERTIFIED COMMERCIAL APPLICATORS
LICENSED 37 YEARS EXPERIENCE INSURED

5 Trucks For Air Cleaning And Whitewashing
RADIO DISPATCHED TRUCKS

Barn Spraying Is Our Business, not a sideline.
Spraying Since 1961