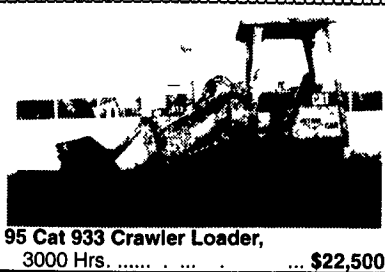


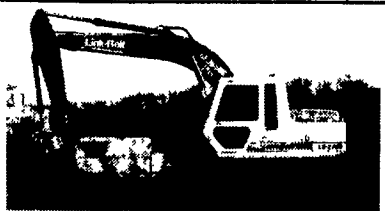
95 Komatsu PC75,  
2 To Choose From . . . . . \$20,000  
86 Case 580E, Cab, 4x4, Ext Hoe Call  
87 Cat 953, Cab, 9000 Hrs \$37,000  
96 Komatsu PC120-6 \$32,500



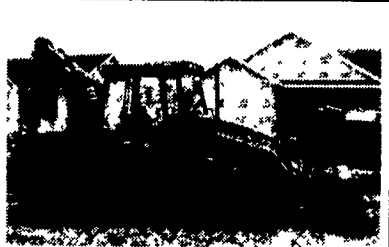
95 Cat 933 Crawler Loader,  
3000 Hrs. . . . . \$22,500



94 Case 580 Super K, Cab, 4x4, Ext  
Hoe, 94 Model \$19,500



90 Linkbelt LS2700, Long Stick,  
35,000lb Excavator . . . . . \$25,000



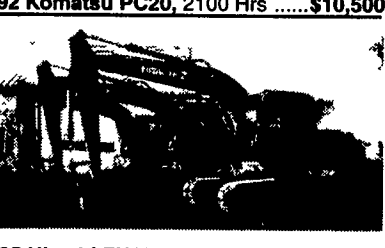
98 Cat 416C, Cab, 4x4,  
Ext. Hoe, 2200 Hrs. . . . . \$34,500



96 Komatsu PC50 UU, 1650 Hrs. \$14,500  
94 Komatsu PC40, Rubber Tracks,  
Backhoe Blade, 3900 hrs. . . \$13,000  
92 Komatsu PC20, 2100 Hrs . . . \$10,500



93 Cat 312, 4700 Hrs., New Paint. . . \$31,500



94 Hitachi EX120-3, 5000 Hrs. . . \$26,000

94 Cat 312, 9000 Hrs., Long Stick \$26,500

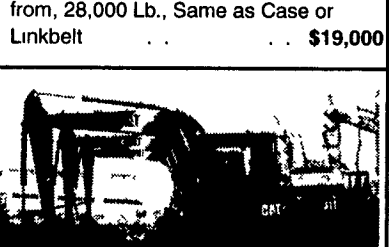
93 Hitachi EX120-2, 3500 to 4900 Hrs.,  
2 to choose from . . . . . \$23,500

Cat E120B, 3 To Choose From,  
Starting At . . . . . \$19,000

91 Hitachi EX120-2, 5700 Hrs., Thumb  
New Paint. . . . . \$24,000

93 Sumitoma, 4200 Hrs , 2 To Choose  
from, 28,000 Lb., Same as Case or  
Linkbelt \$19,000

92 Hitachi EX120-2, 3rd Valve,  
1700 Hrs . . . . . \$24,000



94 Cat 311's, 3200 to 3800 Hrs, 2 To  
Choose From . . . . . \$27,000



JD 644B Rubber Tire Loader .. \$16,500

93 Cat E70B, 3000 Hrs \$15,500

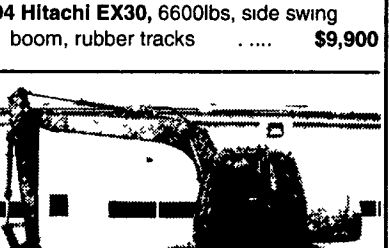
81 Fiat Allis FR20. . . . . \$14,500

91 Kobelco SK60, Backfill Blade \$17,500

3 To  
Choose  
From

91 Kobelco SK100 \$19,500

94 Hitachi EX30, 6600lbs, side swing  
boom, rubber tracks . . . . . \$9,900



Cat 963 Crawler Loader, Open ROPS \$29,000

97 Kobelco SK120, 1300 Hrs \$36,000

87 Cat 963, Open ROPS,  
New Tracks \$35,000

1995 Cat 315L 4900 Hours, 102 Inches  
Wide. . . . . \$47,000

87 Cat 963, Cab, 4-in-1 Bucket,  
80% U C \$39,000

1989 Cat 973 With Cab and A/C, Good  
Undercarriage . . . . . \$42,500

Cat 941, Rebuilt Motor, Runs & Operates  
Excellent \$14,750

88 Ford F350 Dually, Mechanics Body,  
Crane, Electric Lift Gate, New Motor,  
New Tires. . . . . \$7,900

JD 755, 2 To Choose From Starting at \$15,000

97 JD 8875, 1100 Hrs., 2 Spd ,  
New Tires. . . . . \$13,500

97 Bobcat 763, 1500 Hrs. . . . \$10,500

Bobcat 742, 3000 Hrs., Gas . . . \$6,500

98 JD 7775, 800 Hrs , Excellent \$12,500

94 JD 7775, New Tires,  
New Bucket . . . . . \$8,900

98 NH LX565 1100 Hrs \$10,500

Coleman Light Tower,  
Kubota Dsl \$3,500

Ingersoll Rand Light Tower,  
Deutz Diesel \$3,500

95 American Eagle A716 6000 Lb.  
Straight Mast Forklift. . . . . \$15,500

GMC Lube Truck, 7 Tanks  
& Reels w/Air Compressor . . \$13,500



**Kobelco SKO24**  
Diesel Rubber Track, Blade and Thumb Good  
Under \$9,900 (717) 626-1394

Cat D6D w/Winch . . . . . \$32,000  
Remco Hydraseeder . . . . . \$5,000  
Koering 466 Hyd. Excavator . . \$5,000  
Ditch Witch R65 Trencher . . . \$2,500  
Super Silt Fence 3,000'  
w/Pole & Fabric . . . . . \$3/Ft  
**(410) 642-0102**

**Diesel Engine Service**

13 Pleasant Valley Road • Ephrata, PA 17522  
PHONE: 717-733-3890 • FAX: 717-738-3146

**JOHN DEERE & DETROIT DIESEL**

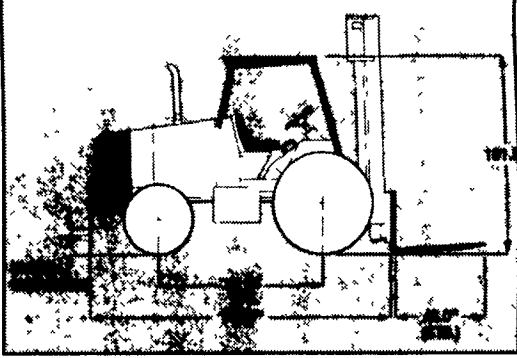
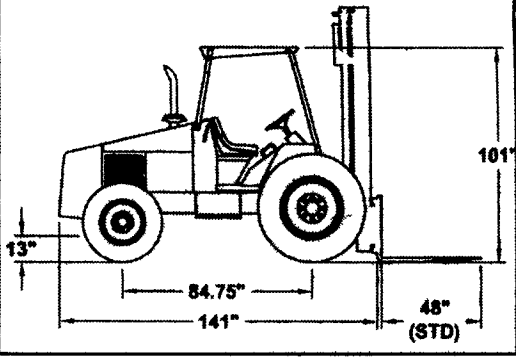
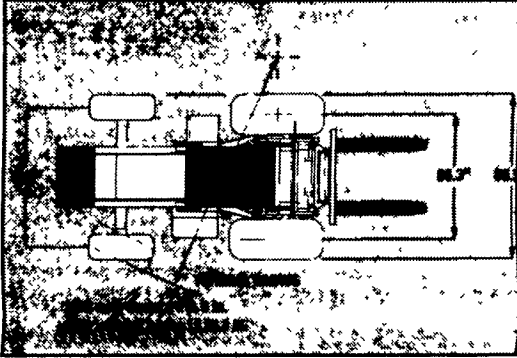
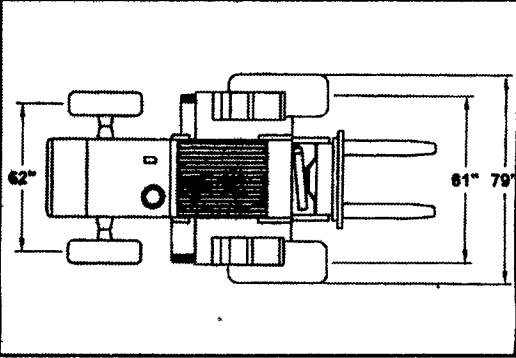
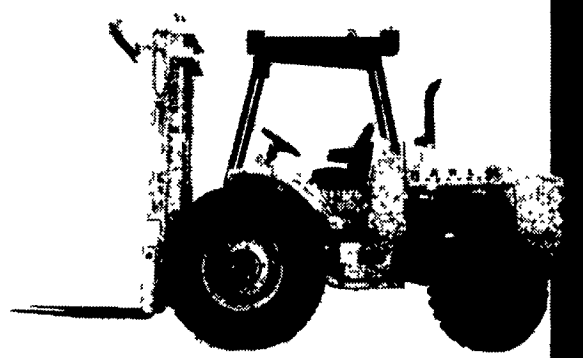
• Engines • Power Units •  
Generator Sets • Complete  
Rebuilding • Parts &  
Service • Rockford & Twin  
Disc Clutches & Parts •  
New JD Powertech  
Engines 20-500 HP

**HATZ DIESEL** • 20-70 HP Air Cooled Diesel  
**SilentPACK** Series Engines

• 80 HP 4239D JD Power Unit, Used \$3,500  
• 75 HP 4219D JD Power Unit, w/Hood, Rebuilt \$5,800  
• 80 HP 4045D JD Power Unit, New PowerTech \$6,000  
• 150 HP 6414T JD Power Unit, Rebuilt \$9,000  
• 170 HP 6466T JD Power Unit, Rebuilt \$11,500  
• 110 KW 1 Ph or 3 Ph Gen Set, Detroit Diesel \$11,000  
• 250 KW 3 Ph Portable Gen Set Detroit Diesel \$22,500

**HARLO PRODUCTS**

*Introduces the New*  
**HD4500**  
*Narrow-Trac Series*  
**Rough-Terrain Forklift**  
*Short Turn Radius*



**HARLO HD4500**  
Cummins 65 HP, 2 Wheel Drive  
4500 Lb., 14 Ft. Height  
Roller Mast  
Reg. Price \$39,000  
**Sale Price \$29,850**

**HARLO HC5600**  
Cummins 80 HP, 2 Wheel Drive  
6000 Lb., 21 Ft. Roller Mast,  
Side Shift & Tilt  
Regular Price \$45,300  
**Sale Price \$36,900**

**BINKLEY & HURST BROS. INC.**

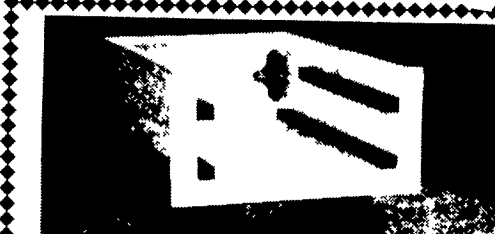
133 Rothsville Station Rd.  
P.O. Box 0395  
Lititz, PA 17543-0395  
(717) 626-4705 1-800-414-4705  
Fax 717-626-0996



**Case 580 Super E 4x4  
Backhoe \$16,000**

**Heavy Equipment Loader Parts, Inc.**  
10070 Allentown Blvd, Grantville PA 17028  
No Sunday Calls (717) 469-0039

**SILOS AND UNLOADERS**



**ALL PLASTIC CONVEYORS AVAILABLE**  
Good for Under Silo Unloaders Or Any Wet Place, In  
18", 24" and 30" Also Available The Standard Wooden  
Conveyor And Feeder  
Dealer Inquiries Welcome  
We Ship Parts **717-336-2244**  
**In Business Since 1965**  
**RISSLER CONVEYORS, STEVENS, PA**

Rentals Available  
Day, Week, or Month

Financing and Lease  
Purchase Available  
No Sunday Calls

**Weaco Equipment**  
Reinholds, PA 717/336-7375