

### Four States Livestock

Hagerstown, Maryland  
Report Supplied by Auction  
September 19, 2001

SLAUGHTER COWS: 65 HEAD, 1.00 HIGHER. BREAKERS 44.00-47.50, BONERS 40.00-44.00, LEAN 36.00-40.00, THIN AND SLOW 36.00 AND DOWN.  
BULLS: 7 HEAD. YG#1 NONE; YG#2 52.00-56.25.  
FED STEERS: FEW OFFERED.  
FED HEIFERS: 20 HEAD. CHOICE TO PRIME 1025-1350 LBS. 66.75-69.75.  
CALVES: 178 HEAD, GOOD SLAUGHTER. 80-110 LBS. 50.00-67.00, HOLSTEIN BULLS RETURNING TO FARM 20.00-25.00 LOWER. #1 94-120 LBS. 110.00-125.00, FEW TO 130.00, 80-92 LBS. 85.00-105.00; HOLSTEIN HEIFERS 17 HEAD. #1 85-105 LBS. 525.00-610.00, #2 300.00-475.00, 70-85 LBS. 190.00-295.00; BEEF X BULLS AND HEIFERS TO 185.00.  
BUTCHER HOGS: 21 HEAD. #1 AND 2 277 LBS. AT 42.25.  
SOWS: 10 HEAD. 300-400 LBS. 32.00-34.00, 400-600 LBS. 30.00-33.00.  
BOARS: 1 654 LBS. AT 26.00.  
STOCK CATTLE: 150 HEAD INCLUDES 85 HOLSTEIN HEIFERS. STEERS 300-500 LBS. 84.00-89.00, 500-700 LBS. 74.00-86.00.  
HEIFERS: 200-400 LBS. 79.00-93.00, 400-700 LBS. 76.00-85.00, 700-800 LBS. 57.00-68.00.  
BULLS: 200-400 LBS. 84.00-93.00, 400-500 LBS. TO 88.00, 500-700 LBS. 60.00-68.00.  
DAIRY REPLACEMENTS: 81 HEAD. LARGE SPRINGERS 1100.00-1600.00, MEDIUM SPRINGERS 950.00-1375.00, SMALL 850.00-1075.00, LARGE FRESH 975.00-1460.00, MEDIUM FRESH 875.00-1385.00, LARGE SHORT BREDS TO 1135.00, OPEN HEIFERS LARGE 800.00-1125.00, MED. 500.00-835.00, SM. 200.00-500.00.  
NEXT WED., SEPT. 26, SPECIAL FEEDER CATTLE SALE. 300 HEAD EXPECTED. ALREADY PROMIXED 24 ANGUS X STEERS AND HEIFERS 500-800 LBS. WEANED, VACCINATED AND WORMED.

### Friend's Stockyard

Accident, Md.  
Report Supplied by Auction  
Monday, September 17, 2001

STOCK STEERS AND BULLS: 200-500 lbs. 65.00-114.00.  
STOCK HEIFERS: 200-500 lbs. 65.00-99.50.  
SLAUGHTER STEERS: good to choice 68.00-72.25, medium to good 64.00-69.00, heavy choice over 1450 lbs. 64.00-72.00.  
HOLSTEIN STEERS: heavy Choice 61.00-64.00, light 58.00-78.00.  
SLAUGHTER HEIFERS: Good to Choice 65.00-72.00, Medium to Good 55.00-67.50.  
BULLS: heavy 53.00-60.00, light 55.00-59.00.  
COWS: Utility (Holsteins) 40.00-49.00, Commercial to Good 35.00-39.50, cull cows 35.00 and down.  
VEALS: Good to Choice 50.00-98.00, Med. to Good 50.00-67.00.  
BOB CALVES: 50.00 and down.  
HOLSTEIN BULL CALVES, RETURN TO FARM: 90-120 lbs. up to 146.00; HOLSTEIN HEIFER CALVES, RETURN TO FARM: 90-120 lbs. up to 665.00; beef cross calves return to farm up to 240.00.  
HOGS: top quality, up to 46.00.  
SOWS: up to 38.00.  
LAMBS, CHOICE, up to 79.00.  
Livestock prices are all given per hundred weights.  
Annual fall feeder sales: Sept. 22, Oct. 6 and Oct. 20, 2001.

### Morrison's Cove Livestock

Martinsburg, Pa.  
Report Supplied by Auction  
Monday, September 17, 2001

CATTLE: 108 HEAD.  
STEERS: CHOICE 68.00-70.00, GOOD 64.00-68.00.  
HEIFERS: CHOICE 66.00-69.00, GOOD 62.00-65.00.  
COWS: UTILITY AND COMMERCIAL 41.00-49.00, CANNER AND

LOW CUTTER 25.00-39.00.  
BULLOCKS: GOOD & CHOICE 54.00-62.00.  
BULLS: 47.00-55.50.  
FEEDER CATTLE: STEERS 59.00-79.00, BULLS 45.00-74.00; HEIFERS 55.00-77.00.  
CALVES: 78. PRIME, NO MKT. TEST, CHOICE 82.00-95.00, GOOD 75.00-83.00, STANDARD 25.00-55.00; HOLSTEIN BULLS 90-130 LBS. 80.00-130.00, HOLSTEIN HEIFERS 90-130 LBS. 225.00-410.00.  
HOGS: 154. US#1-2, 46.00-47.00; US #1-3, 43.00-44.50.  
SOWS: US #1-3 30.00-37.50.  
BOARS: 22.00-34.00.  
FEEDER PIGS: 22. US #1-3 20-50 LBS. 18.00-59.00.  
SHEEP: 36 HEAD. CHOICE LAMBS 70.00-99.00, GOOD 60.00-79.00, SLAUGHTER EWES, NO MKT. TEST.  
GOATS: 25.00-79.00.

### New Holland Dairy

New Holland Sales Stables  
Report Supplied by Auction  
Wednesday, September 19, 2001

116 DAIRY COWS, 127 HEIFERS, 17 BULLS. MARKET STRONGER.  
LOCAL FRESH COWS 600.00-1725.00, FEW 1800.00-2000.00.  
LOCAL SPRINGERS 725.00-1650.00.  
BETTER FRESH COWS 1800.00-2200.00.  
LARGE HEIFERS 1585.00-1700.00, SMALL HEIFERS 775.00-1410.00.  
SHORTBRED HEIFERS 865.00-1435.00.  
OPEN BREEDING AGE HEIFERS 1150.00-1250.00.  
BULLS 635.00-710.00, PUREBREDS 385.00-885.00.  
UPSTATE LOADS FRESH 1100.00-1600.00, FEW 1800.00-2200.00.  
FRESH HEIFERS 425.00-1325.00, 1 AT 1700.00.  
REGISTERED HEIFERS 1200.00-2125.00.  
SMALL OPEN HEIFERS 575.00-1035.00, SMALLER 275.00-425.00.

### Weekly Meat Production Under Federal Inspection

WASHINGTON, D.C., Sept. 14 - (USDA-NASS) - Total red meat production under federal inspection for the week ending Saturday, Sept. 15, was estimated at 902.0 million lb, according to the USDA's Agricultural Marketing Service. This was 12.5% higher than a week ago and 3.1% lower than a year ago. Cumulative meat production for the year to date was 2.6% lower compared to the previous year.

#### MEAT PRODUCTION (million pounds) (excludes condemned)

Week Ending (1)	Beef	Calf/Veal	Pork (2)	Lamb/Mutton	Totals (3)
15-Sep-01	522.7	3.4	371.5	4.4	902.0
08-Sep-01	465.5	3.5	329.7	3.8	801.5
Change	up 12.3%	up 36.0%	dn 12.7%	up 15.8%	up 12.5%
16-Sep-00	543.2	4.0	379.2	4.1	930.5
Change	dn 3.8%	dn 15.0%	dn 2.0%	7.3%	dn 3.1%
2001 YTD:	18,135.1	131.0	12,925.1	152.1	31,343.3
2000 YTD	18,917.9	144.2	12,963.9	158.5	32,184.5
Change	dn 4.1%	dn 9.1%	dn 0.3%	dn 4.0%	dn 2.6%

1- Previous week estimates may be revised Year ago data are actuals  
2- Excludes lard  
3- Totals may not add due to rounding 2001 totals are subject to revision.

#### LIVESTOCK SLAUGHTER (head)

Week Ending	Cattle	Calves/Vealers	Hogs	Sheep/Lambs
15-Sep-01	694,000	19,000	1,941,000	63,000
08-Sep-01	619,000	14,000	1,723,000	55,000
Change	up 12.1%	up 35.7%	up 12.7%	up 14.5%
16-Sep-00	722,000	23,000	1,978,000	62,000
Change	dn 3.9%	dn 17.4%	dn 1.9%	up 1.6%
2001 YTD:	24,678,000	701,000	66,435,000	2,143,000
2000 YTD	25,573,000	769,000	67,216,000	2,342,000
Change	dn 3.5%	dn 8.8%	dn 1.2%	dn 8.5%

#### AVERAGE WEIGHTS (lbs.)

Week Ending	LIVE CATTLE	Calves/Vealers	Hogs	Sheep/Lamb
15-Sep-01	Estimate	1234	298	259
08-Sep-01	Estimate	1231	302	258
16-Sep-00	Actual	1233	292	260
DRESSED				
15-Sep-01	Estimate	757	183	192
08-Sep-01	Estimate	756	185	192
16-Sep-00	Actual	756	180	193

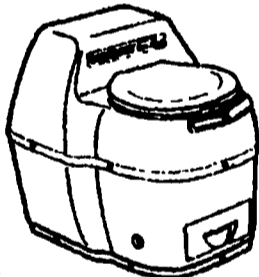
#### PERCENTAGE OF TOTAL SLAUGHTERED BY CLASS

Wk Ending	CATTLE				HOGS		
	Steers	Heifers	Cows	Bulls/Stags	Barrows/Gilts	Sows	Boars/Stags
01-Sep-01	49.8%	33.5%	14.9%	1.9%	96.5%	3.1%	0.3%
02-Sep-00	49.3%	33.8%	15.0%	1.9%	96.5%	3.2%	0.3%

## WATERLESS TOILETS

### "SUN-MAR" Composting Toilets

Several models available including non-electric  
• NO Septic System  
• NO Chemicals  
Save the Environment!  
Recycle Back to Nature!



**FREE:**

12 Page Color Catalog

We Perform Septic Inspections & Certifications

ECO-TECH Call Today 1-800-879-0973



### A Dry Cow Booster That Costs 7¢ a Day

Hoffmann's Horse and Cattle Powder is an ideal tonic for cows over freshening. Feed 6 wks. before freshening. 1 Tablespoon a day. (Two weeks over freshening, feed 1 Tablespoon in the morning & 1 Tablespoon in evening)

Cows will clean better after freshening. Cows have a lower somatic cell count and will have less mastitis problems. Great for reproduction tract and cows will cycle better after freshening. Will help rumen function over freshening. Less feet problems and less stress.

This is an over-all good booster if fed to dry cows, and it will pay you big dividends.

Sugar Valley Collar Shop  
18 Wagon Wheel Lane  
Loganton, PA 17747  
Elvin Zimmerman  
18051 Ridgewood Ave.  
Barnett, MO 65011  
573-378-2658

D & J Farm Store  
65 Hess Rd.  
Quarryville, PA 17566

Bird-In-Hand Farm  
Supply  
200 Maple Ave  
Bird-In-Hand, PA 17505

Daniels Farm Store  
324 Glenbrook Rd  
Leola, PA 17540  
717-656-6982

Gideon F. King  
5465 Elam Rd  
Kinzer, PA 17535

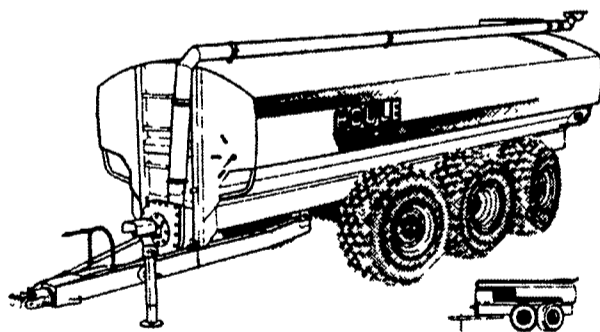
Gap Repair Shop  
994 Gap Rd.  
Kinzers, PA 17535  
717-442-4781

We need more dealers for different areas. If interested, please write to: J.L. Hoffman, 183 Stonyhill Rd., Quarryville, PA 17566

# HOULE

## LIQUID MANURE SPREADER

WITH FLOTATION TIRES TO MINIMIZE SOIL COMPACTION  
Available with complete line of spreading tool bars and precise flow control to spread manure the ecological way eliminating spray drift and reducing odors. Our tool bars are designed to apply hog or dairy manure on growing fields, between rows of corn or on harvested fields.



4-6 OR 8 WHEEL SPREADERS WITH POWER STEERING 3850 TO 9500 US GAL.

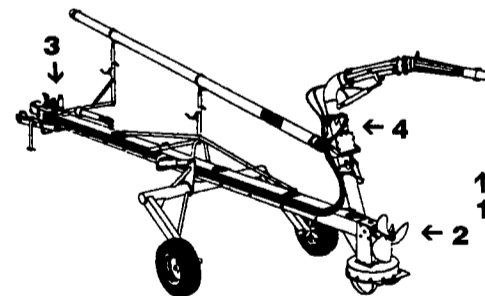
SPREADERS WITH SINGLE AXLE OR TANDEM-2350 TO 6000 US GAL.

- "V" shape bottom for more complete clean out.
- Standard exterior finish: epoxy primer and urethane paint.
- Low profile tank for maximum visibility and stability.

## TRAIL AGI-POMPE

32' and 42' for Lagoons

GREAT PERFORMANCE IN HOG OR DAIRY MANURE



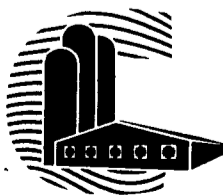
- 1-Highly articulated nozzle designed to slice and break the top crust from above the manure level as the propeller homogenises the liquid with the remaining floating chunks.
- 2-24" dia. mixing propeller providing full time agitation up to 21,500 US G.P.M. even when loading a spreader.
- 3-Hydraulic controls can be operated from tractor seat.
- 4-Rotative directional valve designed to be operated at low R.P.M. without stopping the P.T.O.

Gear box oil bath protected by a greasable 3 seals mechanism on each shaft.

AVAILABLE WITH MULTIPURPOSE OPTION TO ALSO CLIMB INTO CONCRETE PITS UP TO 14' DEEP.

### UNITS IN STOCK FOR SALE OR RENT

- 2001 Houle 5250 Gal. Tank Spreader, Steering Brakes, 28Lx26 Tires (New)
- 2001 Houle 32' - 8" Multi-Purpose Lagoon Pump - DEMO
- Houle 8 ft. Stationary Pump (new)
- Houle 3" Liquid Transfer Pump (New)



## CEDAR CREST EQUIPMENT

800-646-6601

717-866-1888

339 King Street, Myerstown PA 17067

Parts Stores: East Earl—717-354-0584 • Quarryville—717-806-0484