

Eighty-Four Livestock Auction

Eighty-Four, Pa.
 Monday, September 10, 2001
 Report Supplied By USDA
CATTLE 296...(PDA).
STEERS: Choice 2-3 1105-1150 lbs 64.00-65.00, one Select 1-3 62.50, Standard 1-2 52.00-61.00.
HOLSTEIN STEERS: few Select 1-2 58.00-61.50, one Standard 1-2 52.00.
HEIFERS: Choice 2-4 1160 & 1215 lbs 64.00 & 64.50, Standard 1-2 52.00-58.50.
COWS: Breakers 75-80% lean 43.00-47.50, one 50.00, Boners 80-85% lean 39.00-43.50, Lean 85-90% lean 35.00-40.00. Shells 35.00 and down.
BULLS: Yield Grade 1 1380-1680 lbs 52.00-62.00, Yield Grade 2 1070-2215 lbs 43.00-52.50.
FEEDER CATTLE: STEERS: Medium and Large 1 350-520 lbs 88.00-100.00, Medium and Large 2 380-470 lbs 72.00-84.00, 525-750 lbs 65.50-85.00; **HEIFERS:** Medium and Large 1 330-600 lbs 75.00-84.00, Medium and Large 2 330-680 lbs 56.00-68.00; **BULLS:** Medium and Large 1 320-510 lbs 88.00-98.00, one 108.00, Medium and Large 2 315-500 lbs 67.00-87.00, 510-630 lbs 64.00-77.00.
CALVES 164...(All calves sold per cwt). **VEALERS:** Choice 150-295 lbs 90.00-112.50, Standard and Good 90-105 lbs 45.00-75.00, 70-85 lbs 40.00-70.00, Utility 50-80 lbs 15.00-42.50.
FARM CALVES: No 1 Holstein bulls 90-130 lbs 125.00-155.00 mostly 130.00-145.00, No 2 75-130 lbs 80.00-125.00; No 1 Holstein heifers 80 & 95 lbs 400.00 & 460.00, No 2 65-100 lbs 170.00-270.00.
 Beef type bulls and heifers 60-115 lbs 110.00-215.00, 145-295 lbs 72.00-121.00.
HOGS 4...BARROWS AND GILTS: one 49-54% lean 230 lbs 54.00.
SOWS: 1-3 530-655 lbs 38.00-43.00.
FEEDER PIGS 5...2-3 30-40 lbs 29.00-37.00. — per head.
SHEEP 261...SLAUGHTER LAMBS: High Choice and Prime 105-135 lbs 58.00-66.00, Choice 35-50 lbs 91.00-117.00, 55-75 lbs 83.00-101.00, 80-100 lbs

66.00-76.00, few to 84.00, Good and Choice 85-115 lbs 51.00-65.00.
SLAUGHTER SHEEP: 22.00-40.00, Yearlings 44.00-53.00.
GOATS 46...(All sold by the head).
 Large Billies 97.00-124.00, Medium 58.00-69.00, Large Nannies and Wethers 50.00-75.00, Medium Nannies 20.00-45.00, Large Kids 25.00-42.00, Small 5.00-20.00. — per head.

Mercer Livestock Auction

Mercer, Pa.
 September 11, 2001
 Report Supplied By USDA
CATTLE 340...(PDA)..Compared with last week's sale...steers steady 2.00 lower, cows steady to 1.00 lower.
STEERS: Choice 2-3 1100-1475 lbs 66.25-70.25, Select 1-3 62.00-66.75, Standard 1-2 54.00-58.00.
HOLSTEIN STEERS: couple Select 1-2 57.00 & 58.25, couple Standard 1-2 51.00 & 52.25.
HEIFERS: Choice 2-4 975-1375 lbs 64.00-70.75, Select 1-3 59.50-64.50, Standard 1-2 50.00-59.25.
COWS: Breakers 75-80% lean 41.00-45.00, few to 49.00, Boners 80-85% lean 37.00-42.50, Lean 85-90% lean 31.00-39.00. Shells down to 20.00.
BULLOCKS: one Choice 2-3 1280 lbs 64.00.
BULLS: Yield Grade 1 1000-2085 lbs 52.00-60.25, few Yield Grade 2 1015-1395 lbs 45.00-51.00.
FEEDER CATTLE: STEERS: few Medium 1-2 525-600 lbs 75.00-92.00, 600-825 lbs 65.00-82.00; **HEIFERS:** Medium 1 350-550 lbs 81.00-94.00, Medium 2 325-550 lbs 53.50-75.00; **BULLS:** Medium 1-2 300-500 lbs 75.00-104.00, 500-750 lbs 56.00-83.50.
CALVES 99...VEALERS: Standard and Good 70-90 lbs 30.00-48.00, Utility 50-70 lbs 20.00-30.00.
FARM CALVES: No 1 Holstein bulls 85-115 lbs 110.00-137.50, No 2 80-115 lbs 60.00-110.00; one No 1 Holstein heifer 83 lbs 400.00, one No 2 77 lbs 130.00.
 One beef type bull and heifer 109 lbs 190.00.

HOGS 41...BARROWS AND GILTS: 45-50% lean 220-275 lbs 41.10-42.75, few 45.00.
SOWS: one 1-3 490 lbs 35.00.
BOARS: one 780 lbs 21.50.
FEEDER PIGS 0...NO MARKET TEST!
SHEEP 0...NO MARKET TEST!
GOATS 8...(All sold by the head). Few Large Nannies 32.00-60.00, couple Large Kid 30.00.

Frederick Livestock

Frederick, Maryland
 Report Supplied by Auction
 September 10, 2001
SLAUGHTER COWS: 73 HEAD, STEADY TO 2.00 LOWER. BREAKERS 44.00-46.50, BONERS 39.00-43.00, LEAN 35.00-39.00, THIN 35.00 AND DOWN.
BULLS: 3 HEAD. YG#2 1200-1350 LBS. 50.00-56.00.
FED STEERS: NONE.
FED HEIFERS: FEW OFFERED.
CALVES: 209 HEAD, GOOD SLAUGHTER. 80-120 LBS. 50.00-65.00, FEW TO 70.00; HOLSTEIN BULLS RETURNING TO FARM 5.00-10.00 HIGHER. #1 90-120 LBS. 120.00-140.00, 80-90 LBS. 85.00-110.00; #2 90-120 LBS. 100.00-120.00, 75-90 LBS. 60.00-80.00; HOLSTEIN HEIFERS 25 HEAD, RECORD PRICES. #1 80-110 LBS. 500.00-600.00, 3 HEAD 105-110 LBS. 630.00-660.00; #2 80-105 LBS. 350.00-475.00, 60-80 LBS. 125.00-290.00; 1 BROWN SWISS 90 LBS. AT 175.00; JERSEY AND JERSEY X 60-80 LBS. 100.00-190.00; BEEF X BULLS AND HEIFERS 10 HEAD. #1 80-110 LBS. 175.00-235.00, #2 70-95 LBS. 115.00-170.00.
BUTCHER HOGS: FEW OFFERED. #1 AND 2 280-300 LBS. 38.00-40.00, 1 230 LBS. AT 40.00; 2 4-H PROJECT 160-180 LBS. 40.00 AND 50.00.
SOWS: 500-700 LBS. TO 34.00.
STOCK CATTLE: STEERS, 2 GOOD 940 AND 970 LBS. 58.50 AND 66.00.
HEIFERS: BREEDING SIZE JERSEY 725.00; BRED JERSEY 950.00.
BULLS: BROWN SWISS 745 LBS. AT 52.00.
GOATS. 21 HEAD. LARGE 60.00-71.00, MEDIUM 35.00-55.00, SMALL 15.00-30.00.

Five-Area Weekly Average Direct Slaughter Cattle

St Joseph, Mo., September 10 - USDA Market News Service
 Sales in Texas/Oklahoma; Kansas; Nebraska; Colorado; and Iowa/Minnesota Feedlots for Week Ending Sunday, September 9, 2001
 Confirmed Sales: 157,163 Week Ago: 150,272

LIVE BASIS SALES:

SLAUGHTER STEERS	Head Count	Weight Range	Price Range	Avg. Weight	Avg. Price
Over 80% Choice	7,100	784-1,600	69 00-71 75	1,310	70 44
65-80% Choice	4,544	900-1,600	68 00-71 00	1,308	69 69
35-65% Choice	38,508	880-1,559	67 50-70 50	1,270	69 99
1-35% Choice	6,204	1,050-1,500	66 00-70 00	1,264	69 92

SLAUGHTER HEIFERS

Over 80% Choice	2,313	930-1,550	69 00-71 00	1,178	69 86
65-80% Choice	7,839	900-1,465	69 00-71 50	1,193	69 94
35-65% Choice	31,865	850-1,485	67 00-70 50	1,133	70.03
1-35% Choice	1,120	930-1,400	65 00-70 00	1,146	69 54

DRESSED BASIS SALES:

SLAUGHTER STEERS

Over 80% Choice	2,804	500-1,096	108.00-117.00	829	110 59
65-80% Choice	11,640	508-1,076	109 00-113 00	828	110 74
35-65% Choice	11,537	493,1,064	108 00-112.00	832	110 46
1-35% Choice	72	603-1,003	109 00-109 00	803	109 00

SLAUGHTER HEIFERS:

Over 80% Choice	1 326	466-1,000	109.00-117.00	764	110 58
65-80% Choice	9,980	466-1,038	109.00-113.00	751	110.39
35-65% Choice	11,023	486-1,000	109 00-113.00	753	110 14
1-35% Choice					

Weekly Accumulated Weighted Averages (Beef Breeds)

	Head Count	Avg. Weight	Avg. Price
Live Steer	56,176	1,277 2	70 01
Live Heifer	43,139	1,146 7	70 00
Dressed Steer	25,432	829 8	110 59
Dressed Heifer	22,331	752 8	110 28

Week Ago Weighted Averages

Live Steer	49,455	1,267 3	70 00
Live Heifer	35,794	1,134 8	70 03
Dressed Steer	23,567	825 7	111.52
Dressed Heifer	19,420	747 6	111 11

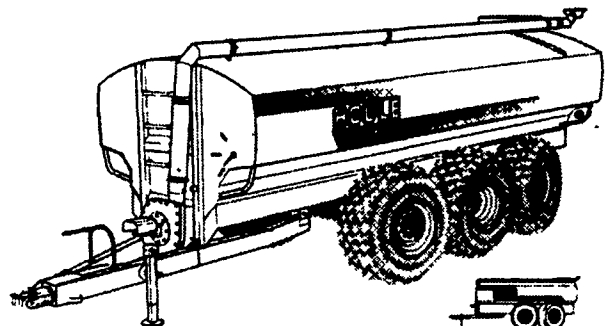
West Virginia Special Feeder Cattle Sale

Charleston, W. Va.
 September 10, 2001
 Report Supplied By USDA
RIVERTON BOARD SALE, Sept. 6.
 Total head offered and sold: 872. Prices per hundredweight.
STEERS: 90% Med. and Lge. 1: 58 head BBWF-XB 825 lbs 85.75; 60 head BBWF 850 lbs 84.00; 82 head BBWF 885 lbs 82.75. 95% Med. and Lge. 1: 58 head BBWF 935 81.50. 60% Large-40% Medium: 60 head BBWF lbs 940 lb 80.75. 65% Large-35% Medium: 60 head BBWF 950 lbs 81.50. 55% Large-45% Medium: 50 head BBWF-CXB 990 lb 77.00. 80% Large-20% Medium 1025 lb 78.00; 24 head XBRED 1035 lb 73.75.
HEIFERS: 143 offered and sold. 85% Medium -15% Large: 72 head BBWF 760 lbs 74.75. 60% Medium-40% Large: 55 head XBRED 875 lbs 77.25.

HOULE

LIQUID MANURE SPREADER

WITH FLOTATION TIRES TO MINIMIZE SOIL COMPACTION
 Available with complete line of spreading tool bars and precise flow control to spread manure the ecological way eliminating spray drift and reducing odors. Our tool bars are designed to apply hog or dairy manure on growing fields, between rows of corn or on harvested fields.



4-6 OR 8 WHEEL SPREADERS WITH POWER STEERING 3850 TO 9500 US GAL.

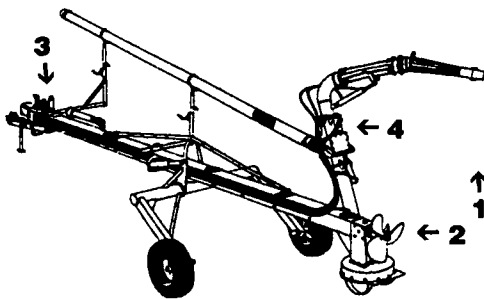
SPREADERS WITH SINGLE AXLE OR TANDEM-2350 TO 6000 US GAL.

- "V" shape bottom for more complete clean out.
- Standard exterior finish: epoxy primer and urethane paint.
- Low profile tank for maximum visibility and stability.

TRAIL AGI-POMPE

32' and 42' for Lagoons

GREAT PERFORMANCE IN HOG OR DAIRY MANURE



- 1-Highly articulated nozzle designed to slice and break the top crust from above the manure level as the propeller homogenises the liquid with the remaining floating chunks.
- 2-24" dia. mixing propeller providing full time agitation up to 21,500 US G.P.M. even when loading a spreader.
- 3-Hydraulic controls can be operated from tractor seat.
- 4-Rotative directional valve designed to be operated at low R.P.M. without stopping the P.T.O.

Gear box oil bath protected by a greasable 3 seals mechanism on each shaft.

AVAILABLE WITH MULTIPURPOSE OPTION TO ALSO CLIMB INTO CONCRETE PITS UP TO 14' DEEP.

UNITS IN STOCK FOR SALE OR RENT

- 2001 Houle 5250 Gal. Tank Spreader, Steering, Brakes, 28Lx26 Tires (New)
- 2001 Houle 32' Multi-Purpose Lagoon Pump - **DE SOLD**
- Houle 8 ft. Stationary Pump (new)
- Houle 3" Liquid Transfer Pump (New)



CEDAR CREST EQUIPMENT 800-646-6601
 717-866-1888
 339 King Street, Myerstown PA 17067

Parts Stores: East Earl—717-354-0584 • Quarryville—717-806-0484

CONESTOGA VALLEY ENTERPRISES

HI-MAG Agricultural Lime Spreading HI-CAL



Cash Discount Savings on Delivery
 Call Toll Free day and evening
1-800-724-3277
 Serving PA, MD, Delmarva, NJ, NY & (LI)

Balanced Nutrition For Your Soil and Livestock

VITAL Breeder Pac

She Won't Settle For Anything Less.

- Specially designed to help get dairy cattle settled.
- The right combination of vital ingredients for a stronger immune system.

Homestead Nutrition, Inc.

245 White Oak Road
 New Holland, PA 17557
 888-336-7878 or
 717-354-4398
 We offer a full range of service and support!