

Middleburg Livestock Auction

Middleburg, Pa.

Tuesday, September 4, 2001

Report Supplied By USDA

CATTLE 312...(PDA) (Supply included 110 steers and heifers, 109 cows, 15 bulls and 78 feeder cattle). Compared with last week's sale...steers and bulls steady, cows 1.00 to 2.00 lower, heifers steady on light supply.

STEERS: few High Choice and Prime 2-4 1295-1425 lbs 72.25-73.50, Choice 2-3 1165-1505 lbs 68.75-72.75, Select 1-3 65.00-69.00, Standard 1-2 57.00-65.00.

HOLSTEIN STEERS: few High Choice and Prime 2-3 1345-1645 lbs 64.00-65.25, Choice 2-3 1265-1530 lbs 61.00-64.75, few Select 1-2 57.00-60.25, few Standard 1-2 47.00-53.50.

HEIFERS: one High Choice 2-4 1435 lbs 73.25, Choice 2-4 1090-1510 lbs 66.75-71.00, Select 1-3 64.50-68.25, Standard 1-2 50.00-64.50.

COWS: Breakers 75-80% lean 40.75-45.25, Boners 80-85% lean 38.50-42.50, low dressing down to 35.25, Lean 85-90% lean 34.00-41.00 mostly 35.00-39.50.

Shells 33.75 and down.

BULLOCKS: few Select 1-3 55.00-57.00.

BULLS: one Yield Grade 1 1955 lbs 53.50, Yield Grade 2 1200-2035 lbs 44.50-53.00.

FEEDER CATTLE: STEERS: Medium and Large 1 215-430 lbs 101.00-102.00, one Large 2 505 lbs 78.00, Large 3 260-425 lbs Holsteins 66.00-69.00; **HEIFERS:** Medium and Large 1 300-375 lbs 81.00-93.00, 420-500 lbs 72.00-91.00, one 635 lbs 78.50, Large 3 275-565 lbs Holsteins 80.00-165.00; **BULLS:** one Medium and Large 1 245 lbs 95.00, 450-460 lbs 75.00-82.00, Medium and Large 2 500-550 lbs 70.00-80.00, couple Large 3 290 lbs Holsteins 84.00.

CALVES 270...VEALERS: Standard and Good 80-95 lbs 40.00-50.00, Utility

60-70 lbs 20.00-40.00, few down to 10.00.

FARM CALVES: Holstein bulls 5.00 higher, Holstein heifers 10.00 higher...No 1 Holstein bulls 90-125 lbs 120.00-150.00 with a few up to 157.00, 80-85 lbs 90.00-102.00, No 2 75-125 lbs 70.00-122.00 with weaker calves down to 55.00; No 1 Holstein heifers 80-110 lbs 380.00-590.00, No 2 70-105 lbs 155.00-360.00.

HOGS 31...BARROWS and gilts 5.00 to 6.00 lower.

BARROWS AND GILTS: 45-50% lean 230-260 lbs 38.75-40.75, 40-45% lean 215-295 lbs 35.50-37.00.

SOWS: 1-3 385-580 lbs 31.50-36.00.

BOARS: 395-655 lbs 19.50-22.75.

FEEDER PIGS 31...1-3 35-45 lbs 38.00-39.00, 50-65 lbs 48.00-50.00. — per head.

SHEEP 78...Slaughter lambs 2.00 to 4.00 lower. SLAUGHTER LAMBS: few High Choice and Prime 50-75 lbs 85.00-88.00, Choice 55-85 lbs 70.00-81.00, 90-115 lbs 58.00-69.00, Good and Choice 45-70 lbs 60.00-70.00.

SLAUGHTER SHEEP: few 25.00-40.00.

GOATS 26...(All sold by the head). Large Billies 62.00-78.00, Medium 35.00-44.00, Large Nannies 30.00-53.00, Large Kids 20.00-38.00, few 64.00.

Belknap Livestock

Belknap, Pa.

Report Supplied By USDA, PDA

September 5, 2001

CATTLE 93...(PDA).

STEERS: few Select 1-3 63.50-66.00, few Standard 1-2 58.50-60.50.

HEIFERS: one Select 1-3 62.25, few Standard 1-2 52.50-57.00.

COWS: few Breakers 75-80% lean 40.50-44.25, few Boners 80-85% lean 39.00-42.00, Lean 85-90% lean 32.00-37.50. Shells 20.00 and down.

BULLS: Yield Grade 2 875-1540 lbs 40.00-50.75.

FEEDER CATTLE: STEERS: Medium and Large 2 400-620 lbs 61.00-80.00; **HEIFERS:** few Medium and

Large 2 390-600 lbs 55.00-75.50, few Medium 1-2 550-775 lbs 53.00-61.00; **BULLS:** few Medium 1-2 430-680 lbs 60.00-72.50.

CALVES 98...VEALERS: Standard and Good 70-105 lbs 35.00-65.00, Utility 50-65 lbs 25.00-32.50.

FARM CALVES: No 1 Holstein bulls 90-120 lbs 120.00-140.00, No 2 85-115 lbs 77.50-120.00; one No 1 Holstein heifer 96 lbs 510.00, few No 2 70-90 lbs 200.00-300.00.

Few beef type bulls and heifers 65-140 lbs 125.00-190.00.

HOGS 43...BARROWS AND GILTS: few 49-54% lean 240-260 lbs 43.25-46.00, 45-50% lean 240-260 lbs 42.00-43.50, 40-45% lean 240-260 lbs 39.00-41.00.

BOARS: few 275-375 lbs 19.50-27.50.

FEEDER PIGS 56...One small lot 1-3 40 lbs 42.50, 60-70 lbs 59.00-62.50, 15-25 lbs 18.00-23.00. — per head.

SHEEP 52...SLAUGHTER LAMBS: High Choice and Prime 110-140 lbs 60.00-69.00, Choice 70-90 lbs 64.00-74.00, Good and Choice 50-70 lbs 74.00-79.00. **SLAUGHTER SHEEP:** few 35.00-37.00.

GOATS 38...(All sold by the head). Couple Large Billies 62.50 & 125.00, few Medium 28.00-83.00, couple Large Nannies 36.00 & 39.00, few Medium 46.00-56.00, Large Kids 20.00-49.00 mostly 30.00-40.00. — per head.

Friend's Stockyard

Accident, Md.

Report Supplied by Auction

Monday, September 3, 2001

STOCK STEERS AND BULLS: 200-500 lbs. 65.00-100.00.

STOCK HEIFERS: 200-500 lbs. 65.00-99.50.

SLAUGHTER STEERS: good to choice 68.00-71.85, medium to good 64.00-69.00, heavy choice over 1450 lbs. 64.00-72.00.

HOLSTEIN STEERS: heavy Choice 61.00-63.00, light 58.00-80.00.

SLAUGHTER HEIFERS: Good to Choice 65.00-71.50, Medium to Good 55.00-67.50.

BULLS: heavy 53.00-60.00, light

Five-Area Weekly Average Direct Slaughter Cattle

St. Joseph, Mo., September 4 - USDA Market News Service

Sales in Texas/Oklahoma; Kansas; Nebraska;

Colorado; and Iowa/Minnesota Feedlots for

Week Ending Sunday, September 2, 2001

Confirmed Sales: 147,828 Week Ago: 200,987

LIVE BASIS SALES: SLAUGHTER STEERS

	Head Count	Weight Range	Price Range	Avg. Weight	Avg. Price
Over 80% Choice	3,209	900-1,600	69.00-72.00	1,316	70.34
65-80% Choice	5,214	950-1,550	69.65-71.15	1,291	70.30
35-65% Choice	35,436	925-1,570	68.00-70.50	1,264	69.94
1-35% Choice	5,590	950-1,550	68.00-70.25	1,235	69.92

SLAUGHTER HEIFERS

Over 80% Choice	2,567	870-1,450	69.00-72.00	1,184	70.24
65-80% Choice	5,291	865-1,475	69.00-71.25	1,169	70.16
35-65% Choice	25,569	865-1,525	64.00-70.50	1,125	69.99
1-35% Choice	2,347	925-1,375	69.50-70.00	1,111	69.97

DRESSED BASIS SALES: SLAUGHTER STEERS

Over 80% Choice	1,706	423-1,009	111.02-118.00	835	114.16
65-80% Choice	10,005	525-1,050	107.25-117.00	829	111.64
35-65% Choice	11,585	508,1,089	108.00-113.00	822	111.09
1-35% Choice	268	520-1,003	105.60-113.00	819	108.72

SLAUGHTER HEIFERS

Over 80% Choice	424	509- 971	111.00-112.00	759	111.20
65-80% Choice	10,267	496-1,038	110.00-114.00	760	111.50
35-65% Choice	8,364	464-1,000	106.00-113.00	734	110.66
1-35% Choice	364	483- 914	108.00-111.00	708	110.03

Weekly Accumulated Weighted Averages (Beef Breeds)

	Head Count	Avg. Weight	Avg. Price
Live Steer	49,455	1,267.3	70.00
Live Heifer	35,794	1,134.8	70.03
Dressed Steer	23,567	825.70	111.52
Dressed Heifer	19,420	747.60	111.11
Week Ago Weighted Averages			
Live Steer	60,376	1,268.2	70.34
Live Heifer	49,786	1,138.9	70.34
Dressed Steer	38,942	815.8	112.56
Dressed Heifer	28,314	734.8	112.58

55.00-59.00.

COWS: Utility (Holsteins) 40.00-45.00, Commercial to Good 35.00-39.50, cull cows 35.00 and down.

VEALS: Good to Choice 50.00-98.00, Med. to Good 50.00-67.00.

BOB CALVES: 50.00 and down.

HOLSTEIN BULL CALVES, RETURN TO FARM: 90-120 lbs. up to

142.50; **HOLSTEIN HEIFER CALVES,** RETURN TO FARM: 90-120 lbs. up to 540.00; beef cross calves return to farm up to 200.00.

HOGS: top quality, up to 50.00. **SOWS:** up to 38.00.

LAMBS, CHOICE, up to 79.00.

Livestock prices are all given per hundred weights.

Balanced Nutrition For Your Soil and Livestock

VITAL[™] NutriBoost
Minimize Stress

- Designed to be fed to dairy cattle in early lactation, peak production and during other times of stress
- Strategic supplementation of essential nutrients, yeast, naturally occurring micro organisms and trace minerals

Homestead Nutrition, Inc.



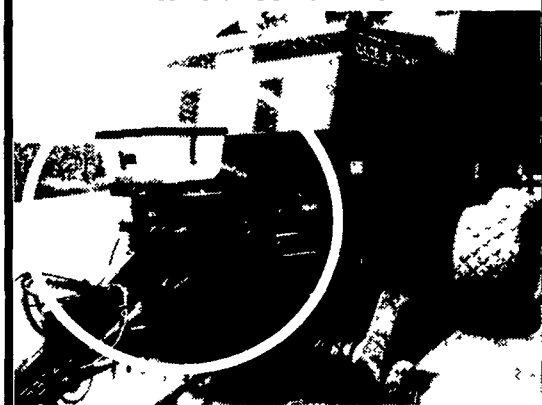
245 White Oak Road
New Holland, PA 17557

888-336-7878 or
717-354-4398

We offer a full range of service and support!

NEW NEW NEW NEW NEW

Tired of mixing Liquid Inoculant?
Take a look at this!



Granular Inoculant Applicator

1 1/2" Auger (12 Volt) w/Speed Controller
Two sizes available for balers or choppers

"Goliath" 1000 tons silage before refill
"David" 2-300 tons silage before refill

Mfg By

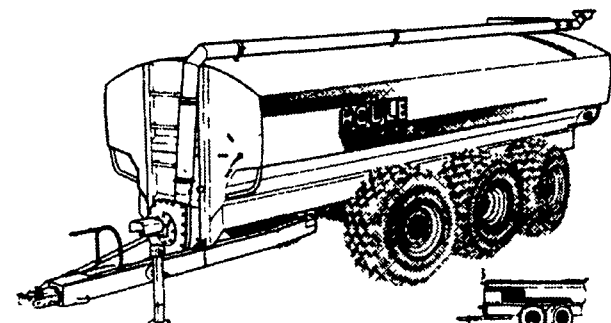
Dynamo Company
c/o PO Box 441, Blue Ball, Penna 17506
717-354-7126 (day) • 717-354-9205

HOULE

LIQUID MANURE SPREADER

WITH FLOTATION TIRES TO MINIMIZE SOIL COMPACTION

Available with complete line of spreading tool bars and precise flow control to spread manure the ecological way eliminating spray drift and reducing odors. Our tool bars are designed to apply hog or dairy manure on growing fields, between rows of corn or on harvested fields.



4-6 OR 8 WHEEL SPREADERS WITH POWER STEERING 3850 TO 9500 US GAL.

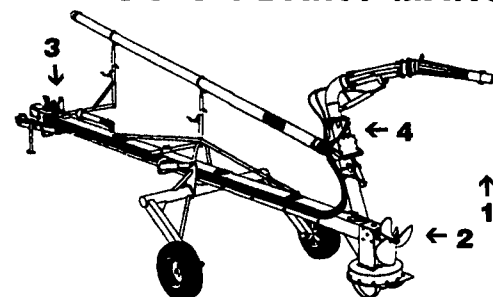
SPREADERS WITH SINGLE AXLE OR TANDEM-2350 TO 6000 US GAL.

- "V" shape bottom for more complete clean out.
- Low profile tank for maximum visibility and stability.
- Standard exterior finish: epoxy primer and urethane paint.

TRAIL AGI-POMPE

32' and 42' for Lagoons

GREAT PERFORMANCE IN HOG OR DAIRY MANURE



- 1-Highly articulated nozzle designed to slice and break the top crust from above the manure level as the propeller homogenizes the liquid with the remaining floating chunks.
- 2-24" dia. mixing propeller providing full time agitation up to 21,500 US G.P.M. even when loading a spreader.
- 3-Hydraulic controls can be operated from tractor seat.
- 4-Rotative directional valve designed to be operated at low R.P.M. without stopping the P.T.O.

Gear box oil bath protected by a greasable 3 seals mechanism on each shaft.

AVAILABLE WITH MULTIPURPOSE OPTION TO ALSO CLIMB INTO CONCRETE PITS UP TO 14' DEEP.

UNITS IN STOCK FOR SALE OR RENT

- 2001 Houle 5250 Gal. Tank Spreader, Steering, Brakes, 28Lx26 Tires (New)
- 2001 Houle 32' - 8" Multi-Purpose Lagoon Pump - DEMO
- Houle 8 ft. Stationary Pump (new)
- Houle 3" Liquid Transfer Pump (New)



CEDAR CREST EQUIPMENT 800-646-6601
717-866-1888

339 King Street, Myerstown PA 17067

Parts Stores: East Earl—717-354-0584 • Quarryville—717-806-0484