

Philadelphia Fruit

Terminal Market
September 5, 2001
Report Supplied By USDA
CITRUS FRUITS - CLEMENTINES: NO SALES REPORTED - GRAPEFRUIT: MARKET STEADY ctns CA Red 23s 12.00-13.00 mostly 12.00 27s 12.00-13.00 mostly 12.00 32s 13.00-14.00 mostly 13.00 36s 13.00-15.00 40s 14.00 48s 13.00 - LEMONS: MARKET STEADY ctns AG 80s 19.00 95s 17.00 100s 19.00 115s 17.00-19.00 140s 17.50 165s 18.00 CA Shprs 1st Grade 95s 28.00 115s 30.00 165s 36.00 Shprs Choice 95s 18.50-19.00 115s 18.50-19.00 Uncl (Standard) 95s 15.50 115s 15.50 140s 14.00 - LIMES: MARKET ABOUT STEADY 10 lb ctns MX 42s 5.00 48s 4.50-5.00 mostly 5.00 54s 4.75-5.00 63s 4.50-5.00 40 lb ctns MX 150s 13.00-16.50 175s 15.00 - MISC CITRUS: OFFERINGS INSUFFICIENT TO QUOTE - ORANGES: MARKET STEADY ctns CA Shprs 1st Grade Valencia 56s 16.00 72s 15.00 88s 14.00-14.50 Shprs Choice Valencia 56s 11.50 72s 11.50 88s 12.00 113s 12.50 - TANGELOS: OFFERINGS NONE - TANGERINES: OFFERINGS NONE - TEMPLES: OFFERINGS NONE
BERRIES - BLUEBERRIES: MARKET ABOUT STEADY flts 12 1-pt cups with lids CD med 22.00-23.00 fair cond 10.00-13.00 MI med few 24.00-26.00 - CRANBERRIES: OFFERINGS NONE - MISC BERRIES: OFFERINGS INSUFFICIENT TO QUOTE - RASPBERRIES: flts 12 6-oz cups flmwrpd CA Red fair qual & cond 8.00-12.00 - STRAWBERRIES: MARKET

ABOUT STEADY flts 12 1-pt bkts CA med-lge 16.00-20.00 preferred labels 20.00-22.00 fair cond 12.00-15.00

MELONS - CANTALOUPS: MARKET ABOUT STEADY 1/2 ctns CA 9s 9.00 few 10.00 12s 9.00-10.00 few 8.00-8.50 15s 8.00-10.00 fair cond 7.00 18s 8.00-10.00 - HONEYDEWS: MARKET ABOUT STEADY 3/4 ctns CA 4s 9.00-10.00 mostly 9.00 5s 9.00-10.00 mostly 9.00 few 8.00 6s 7.00-10.00 8s 9.00-10.00 - MISC MELONS: MARKET STEADY 3/4 ctns CA Crenshaw 4s 10.50 Juan Canary 5s 10.50 Sharlyn 5s 10.50 Orange Flesh 6s 10.50 8s 10.50 Galia 6s 10.50 - WATERMELONS: ctns per ctn TX Red Flesh Seedless Type 3s 18.00 4s 18.00 5s 18.00 Allsweet 3s 17.00

NON-CITRUS FRUITS - APPLES: MARKET STEADY ctns trypk MD U.S. ExFcy Royal Gala 113s 12.00-13.00 125s 12.00-13.00 ctns celpk NY U.S. ExFcy McIntosh 80s 20.00 100s 20.00 120s 16.00 ctns 12 3-lb flmbags NY U.S. One Red Delicious 2 1/2" min 12.00 Red Rome 2 1/2" min 13.00 McIntosh 2 1/2" min 13.00 CONTROLLED ATMOSPHERE STORAGE ctns trypk WA WAExFcy Red Delicious 64s one label 18.00 80s 14.00-15.00 one label 18.00 88s 14.00-15.00 preferred labels 16.00-18.00 100s 15.00 one label 16.00 113s 14.00 U.S. ExFcy Golden Delicious 88s 18.00 100s 18.00 ctns celpk WA WAExFcy Golden Delicious 80s 28.00 96s 26.00 - APRICOTS: OFFERINGS INSUFFICIENT TO QUOTE - AVOCADOS: MARKET ABOUT STEADY ctns 2 lyr CA Hass 48s 38.00-39.00 CL Hass 50s 35.00 few 30.00-32.00 FL Various

Greenskin Varieties 14s 21.00-22.00 4/5 buctns FL Various Greenskin Varieties 40s 15.00-16.00 - BANANAS: MARKET STEADY 40 lb ctns IMPORT 14.50-15.00 mostly 14.50 fr qual 13.00-13.50 sml 11.00 petite 14.50 40 lb ctns bagged IMPORT 14.50 - CHERRIES: OFFERINGS INSUFFICIENT TO QUOTE - FRUITS OTHER: ctns 1 lyr CA Apple Pears Hosui 18s 9.00 Shinseiki 12s 8.50-9.00 10 lb ctns MX Cactus Pears Red lge 8.00 flts 12 1-pt bkts CA Figs Black Mission 18.00-21.00 fair cond 13.00-14.00 Kadota 18.00 - GRAPES: MARKET STEADY 19 lb lugs bgd CA U.S. One Thompson Seedless exlge 21.00 lge 16.00-18.00 med-lge 14.00-15.00 few 16.00 ord cond 5.00 poor cond .50 med 10.00-12.00 Flame Seedless exlge 21.00 lge 17.00-18.00 med-lge 14.00-15.00 ord cond 3.00-5.00 med 12.00-13.00 sml 8.00-10.00 Ribiers med-lge 13.00 Black Seedless lge 18.00 Calmeria med 13.00 Red Globe exlge 18.00 lge 14.00 med-lge 12.00-13.00 Crimson Seedless med-lge 16.00 Kyoho lge 21.00 18 lb lugs wrpd CA U.S. One Thompson Seedless lge 18.00-20.00 Flame Seedless lge 20.00 Red Globe lge 18.00 20 lb lugs wrpd CA U.S. One Black Seedless med-lge 17.00-18.00 ctns 16 1-lb containers with lids CA Black Corinth 20.00 - KIWI FRUIT: 10 kg ctns CL BOAT Hayward 36 sz 16.00 - MANGOES: MARKET ABOUT STEADY ctns 1 lyr BR Tommy Atkins 8s 8.00-9.00 9s 8.00-10.00 10s 8.50-9.00 MX Keitts 8s 6.00 9s 6.00 10s 5.00-5.50 12s 5.00-5.50 PR Keitts 7s 5.00 8s 5.00 9s 5.00 10s 5.00 12s 5.00 - NECTARINES: MARKET ABOUT STEADY ctns 2 lyr trypk CA California Well Matured Vari-

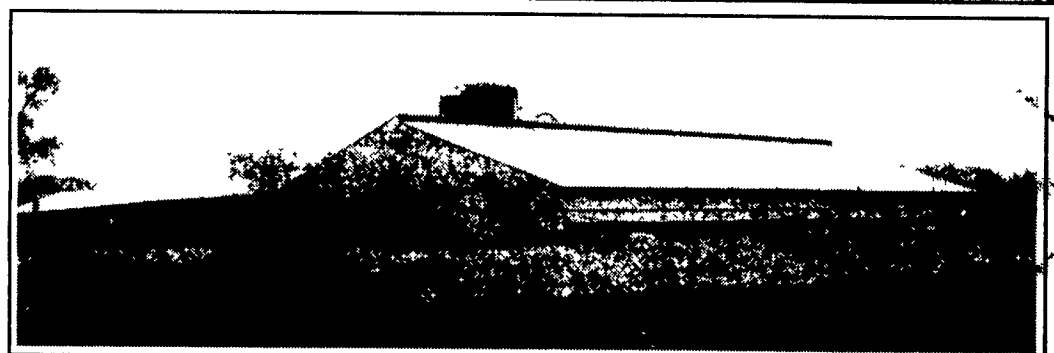
ous Yellow Flesh Varieties 48-50s 18.00 August Red 44s fair appear 11.00-12.00 25 lb ctns lse CA California Well Matured Various Yellow Flesh Varieties 50 sz 18.00 56 sz 18.00 64 sz 16.00 72 sz 15.00 1/2 buctns lse NJ Various Yellow Flesh Varieties 2 3/4" up 16.00-19.00 2 1/4" min 13.00-14.00 PA Various Yellow Flesh Varieties 2 3/4" min 8.00 - PAPA YA: MARKET STEADY 10 lb ctns BR Red Flesh 8s 10.00 9s 10.00 BZ Red Flesh 9s 11.00 10s 11.00 35-40 lb ctns MX Maradol 7s 21.00 - PEACHES: MARKET STEADY ctns/lugs 2-lyr trypk CA California Well Matured Various Yellow Flesh Varieties 44s 12.00 40-42s few 17.00 1/2 buctns NJ No Grade Marks Various Yellow Flesh Varieties 3" up one label 16.00 2 3/4" up one label 15.00 2 1/2" up 9.00-10.00 Crest Haven 2 3/4" up 12.00-14.00 2 1/2" up 10.50-11.50 2 1/4" up 8.00 Jersey Queen 2 3/4" up 13.50-14.00 2 1/2" up 10.50-11.50 2 1/4" up 8.00 Various White Flesh Varieties 2 3/4" up 18.00 - PEARS: MARKET STEADY std ctns wrpd CA U.S. One Bartlett 80s 26.00-27.00 90s 26.00 100s 24.00-25.00 110s 23.00 Bosc 80s 32.00 90s 30.00 100s 28.00 36 lb ctns CA U.S. One Bartlett 100 sz 18.00 110 sz 17.00 120 sz 16.00 - PERSIMMONS: OFFERINGS NONE - PINEAPPLES: OFFERINGS LIGHT ctns 1 lyr MX golden ripe 5s 18.00 6s 18.00 - PLANTAINS: MARKET STEADY 50 lb ctns CB Yellow 17.00 EC Green 17.50 - PLUMS: MARKET STEADY 28 lb ctns lse CA California Well Matured Betty Ann 40 sz 18.00 Friar 40 sz fair cond 8.00 50 sz fair cond 5.00-10.00 Royal Diamond 50s fair cond 8.00-10.00 Howard Sun 50s 13.00 25 sz 22.00 30 sz 20.00 35

sz 20.00 40 sz 17.00-18.00 45 sz 17.00 ID U.S. One Friar 25 sz 19.00 35 sz 17.00 Simka 35 sz 17.00 Catalina 35 sz 17.00 45 sz 15.00 Fortune 25 sz 19.00 35 sz 17.00 U.S. Two Friar 35 sz 14.00 Simka 35 sz 14.00 Catalina 35 sz 16.00 45 sz 14.00 ctns/lugs 2 lyr trypk CA California Well Matured Interspecific Type Dapple Dandy 56s 21.00 - POMEGRANATES: OFFERINGS LIGHT ctns 2-lyr CA Granada 32s fair cond 10.00 36s fair cond 6.00-8.00 44s fair cond 6.00 48s fair cond 6.00 - PRUNES: 30 lb ctns MI U.S. One Stanley 1 1/4" min 12.00

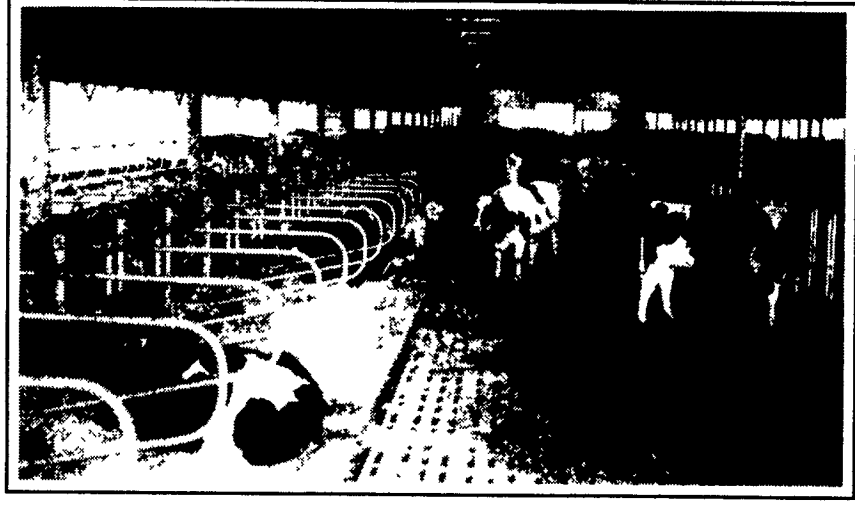
Philadelphia Herbs

Philadelphia Terminal
Prices as of September 5, 2001
Report Supplied By USDA
MISC HERBS - ANISE: 1/2 ctns CA 18s 16.00 24s 16.00 few 17.00 30s 16.00 - ARRUGULA: 4/5 buctns bchd NJ 24s 9.00 4 lb ctns CA baby type 13.00 - BASIL: crts bchd NJ 15s 7.00-9.00 mostly 8.00 1 kg ctns bchd IS 12s 11.00-13.00 - CELERIAC (CELERY ROOT): 15 lb lugs CA 15.00 - CHERVIL: OFFERINGS INSUFFICIENT TO QUOTE - CHIVES: 1 kg ctns bchd IS 12s 18.00 - CILANTRO: 4/5 buctns bchd NJ 30s 9.00 OH 30s 8.00 - DILL: crts bchd NJ 24s 7.00-8.00 - DRY ESCHALLOT: OFFERINGS INSUFFICIENT TO QUOTE - HORSERADISH: OFFERINGS INSUFFICIENT TO QUOTE - MARJORAM: 1 kg ctns bchd IS 12s 13.00 - MINT: crts bchd NJ 12s 7.00-8.00 mostly 8.00 1 kg ctns bchd IS 12s 10.00 - OREGANO: 1 kg ctns bchd IS 12s 13.00 - ROSEMARY: 1 kg ctns bchd IS 12s 13.00 - SAGE: 1 kg ctns bchd IS 12s 13.00 -

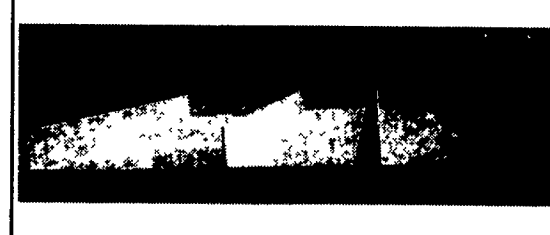
KEYSTONE CONCRETE PRODUCTS INC.
477 East Farmersville Rd.
New Holland, PA 17557
(717) 355-2361



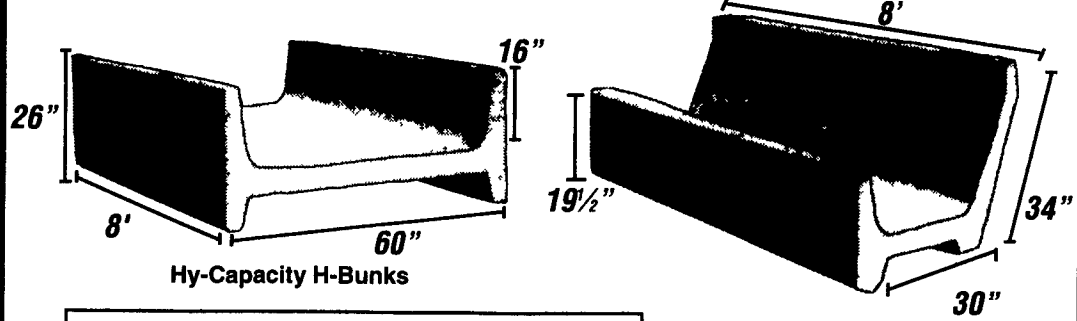
Concrete Slatted Free Stall Barn



Long Core Cattle Waffle Slats



Precast Concrete T-Wall Bunker Silos or commodity buildings built to suit your needs. Bunkers available in 8 Ft. or 12 Ft. High



End Sections Available For Feed Bunks

Give us a call for more information on hog, beef, dairy and heifer barns.

*You've done a good job.
You want to pay your
fixed rate ag loan early.
Can you pay it off
without a penalty?*



Bob Zook, Vice President
Ag Lending 717-721-5220

**ENB
Says
Yes!**

If your banker has a different answer, and if your fixed rate loan is due for an interest rate review, call me.

Ask me some questions.

You'll like the answers.

Bob Zook



The Ephrata National Bank

MEMBER FDIC
www.ephratanationalbank.com

Serving farmers since 1881