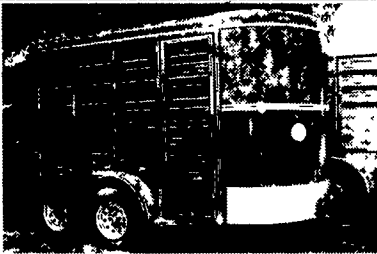


CHEROKEE
TRAILERS
Continental Cargo

Bison
ALUMINUM
WORTHINGTON
Trailers

**MG
TEX**

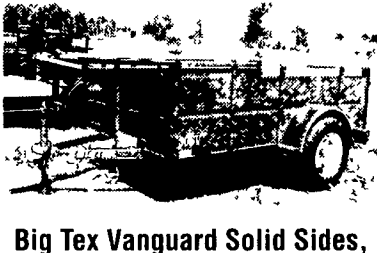
FINANCING AVAILABLE - TRADE-INS ACCEPTED




Bison 6'x10'x7' High
Starts at \$3,491



Big Tex 3000# GVW, 5'x8', 5'x10' - From \$938



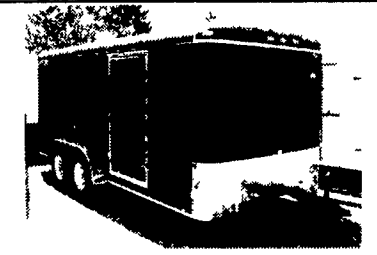
Big Tex Vanguard Solid Sides, 4', 5' & 6' wides, 8' to 16' long, 5'x8' - \$1274



2001 Bison Alumasport 2 Horse Slant Load BP, Rear Tack & Dressing Room \$8,947



Cherokee 24'x8 1/2' Wx7' H All Aluminum 14,000 GVW \$12,500




Continental Cargo 7416TA, 7000# Ramp & Side Doors - \$4,645

JUNE DAIRY SPECIAL 2% Discount

In Stock 10' to 24' Bumper Pull & Gooseneck

YARNALL'S EQUIPMENT CO., INC.
4171 Horseshoe Pike (Rt. 322) Honey Brook, PA 19344
(610) 273-9200 • 1-888-900-7669
Open 6 Days - Til 7:00 P.M. Tuesdays




2001 FR Argosy 500 Detroit, Jake, 13 Spd., AC, Cruise, Dual Air-Ride Seats, Air-Ride Cab & Suspension, 10 Alum. Wheels, Wetline, 40,000 miles. 1997 Peerless Halloc Walking Floor, Sliding Tandems Roll Tarp, Will Separate.....\$96,000
540/896-6946



1994 Chevy Dually Silverado, 1 Ton 4x4, Full Size Wheel Lift! 6.5 Turbo Dsl. AC, Automatic, Power Everything, Air Ride Suspension, Onboard Air Compressor, Perfect Condition, 7,500 Lb. Towing Capacity
717-664-3559


ALL STEEL REPLACEMENT TRUCK BED



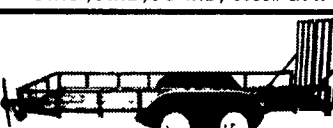
8 1/2' Lx82" W or 96" W
10' Lx8' W, 12' Lx8' W

STARTING AT \$595.00

4'x8' \$495
8'x10' \$999

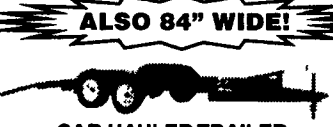


UTILITY (TILT OR GATE MODEL) SIZES:
4'x8', 5'x8', 5'x10' 2000# GVW
5'x10', 5'x12', 6'5"x12', 3000# GVW



UTILITY WITH GATE-SIZES:
16'x77", 18'x77", 7,000# GVW


ALSO 84" WIDE!



CAR HAULER TRAILER:
16'x78" & 18'x78" includes 5' Beavertail
7,000 lb. GVW 4' self storing ramps

Quality Trailers Built Locally By "PA International"

Car Dollie



Sale \$795

19 Ft Hydraulic, Tilt Trailer, 10,000 lb GVW. \$3,495

6'x12'x6' high enclosed trailers... Call For Prices


Case VAC Tractor, Restored..... \$1,900

1993 Ford Aerostar Van XLT, Ext, 4WD, Loaded. \$6,995

Over 200 Trailers IN STOCK
Starting At \$495.00
T-Plates
DEALERS WANTED

Highway Hydraulic Dump

BRI-MAR




5'x8' 3,000# \$2,195
5'x8' 5,000# \$2,495
6'x10' 7,000# \$2,995
6'x10' 10,000# \$3,195
7'x12' 10,000# \$3,995

FREE BATTERY

LOW PROFILE DUMP TRAILERS


BRI-MAR



6 x 12 10,000# low profile \$4,095
6'x10' GVW low profile dump trailers w/ landscape gate
7,000# \$3,495
10,000# \$3,795

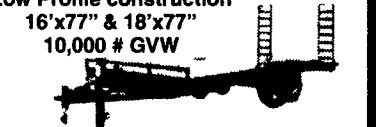
FREE BATTERY

GOOSENECK SIZES: w/4' Adj. Tail



20'x8' 12,000# GVW
24'x8' 14,000# GVW

Low Profile construction
16'x77" & 18'x77"
10,000 # GVW



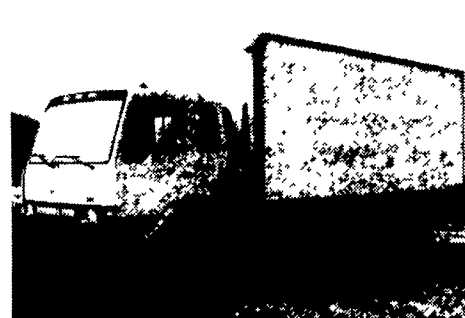
DECK-OVER CONSTRUCTION
20'x8' w/Tail 10,000# GVW \$3,995
20'x8' w/Tail 12,000# GVW \$3,795

KUTZ FARM EQUIPMENT, INC.
Pine Grove, PA 570-345-4882 FAX 570-345-2881
8 AM-5 PM Monday Thru Friday
8 AM-12 Saturday Or By Appointment

ANIMAL MEDIC[®] INC

ANIMAL MEDIC HAS GONE TO LARGER TRUCKS, THEREFORE WE HAVE THE FOLLOWING TRUCKS FOR SALE. CALL US FOR ALL YOUR ANIMAL HEALTH NEEDS.

TRUCK 1



1995 Mitsubishi Model #FK-417 diesel

- 23,000 lb. GVW
- 18 ft. insulated box with roll-up door and ramp
- Standard transmission
- Mileage 78,400


Asking Price: \$12,900, Neg.

TRUCK 2

1994 GMC Topkick diesel

- 25,950 lb. GVW
- A/C in cab
- A/C and heater in 18' insulated box with aluminum framed wooden racks
- 5 Speed transmission
- Mileage 179,186

Asking Price: \$13,900, Neg.

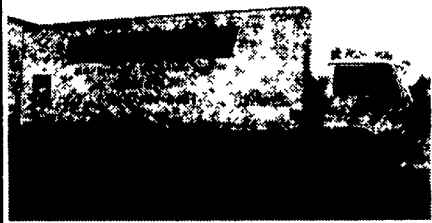


TRUCK 3

1995 Nissan UD Model 2600 diesel

- 25,995 lb. GVW
- A/C in cab
- A/C and heater in 18' insulated box
- Standard five speed transmission
- Mileage 132,690

Asking Price: \$23,900, Neg.

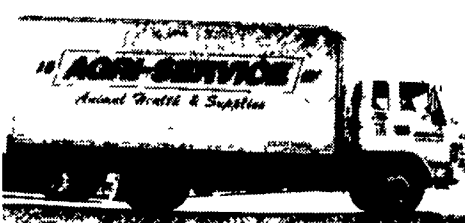


TRUCK 4

1992 Isuzu model FSR diesel

- 22,000 lb. GVW
- 18' insulated box with roll-up door
- Standard transmission
- Mileage 177,000

Asking Price: \$11,900, Neg.



ANIMAL MEDIC, INC.
PO BOX 575
MANCHESTER, PA 17345
PHONE: 717-266-5611
TOLL FREE: 800-767-5611
FAX: 717-266-2594

For God so loved the world, that he gave his only begotten Son, that whosoever believeth in him should not perish but have everlasting life
John 3-16

THE TRUCKS LISTED ARE FOR SALE. IF YOU HAVE AN INTEREST IN PURCHASING ONE OF THESE VEHICLES, NEED ADDITIONAL INFORMATION OR WANT TO MAKE AN OFFER, PLEASE CALL TOLL FREE 1-800-767-5611 ext 124