

❖ **PRODUCE MARKETS** ❖

Phila. Vegetable

PHILADELPHIA Terminal
May 2, 2001

Report Supplied By USDA

VEGETABLES -ARTICHOKES: ctns CA Globe Thorned 36s 13.00 -
ASPARAGUS: MARKET LOWER pyr
ctns/crts lse NJ Green fldrun 18.00 pyr
ctns/crts bchd NJ Green 12s 18.00-20.00
(field run) WA WAEXFey Green lge
25.00-26.00 one label 30.00-32.00 std one
label 34.00 pyr ctns/crts 28 lb bchd CA
Green exlge 20.00-22.00 lge 22.00-24.00
some 20.00 few 25.00-28.00 std 24.00-
26.00 few 30.00-34.00 NJ Green lge
20.00-26.00 std 26.00-28.00 fldrun 18.00-
22.00 11 lb ctns bchd CA Green jbo
10.00-11.00 exlge 10.00-11.00 lge 10.00-
11.00 -**BEANS:** MARKET SLIGHTLY
LOWER buctns/crts FL Round Green
Type Handpicked 23.00-25.00 mostly
24.00 Machine Picked 22.00-23.00
mostly 22.00 Wax Type few 35.00 -
BEETS: MARKET ABOUT STEADY
ctns bchd TX 12s 10.00 25 lb filmbags lse
TX med 9.00 50 lb sks lse TX med 12.00-
13.00 few 16.00 -**BROCCOLI**
MARKET SLIGHTLY LOWER ctns
CA bchd 14s 8.00-9.50 mostly 8.00-9.00
few low as 7.00 occasional 10.00 bchd
18s 8.00-8.50 20 lb ctns lse CA Crown
Cut 9.00-11.00 mostly 10.00 few high as
13.00 -**BRUSSELS SPROUTS:** TOO
FEW SALES TO QUOTE -**CABBAGE:**
MARKET SLIGHTLY LOWER 1 3/4
bucrts & 50 lb ctns CD Red Type sml
7.00-8.00 FL Round Green Type med
8.00-9.00 Red Type med 14.00 GA
Round Green Type med 8.00-9.00 med-
lge 8.50-9.00 mostly 8.50 TX Round
Green Type med 8.00-9.00 50 lb sks CD

Round Green Type lge 8.50-9.00 NY
Round Green Type lge few 10.00 -
CARROTS: MARKET ABOUT
STEADY sks 48 1-lb filmbags CA
Topped med-lge 13.00-15.00 GA Topped
med-lge 9.00 50 lb sks lse CA Topped jbo
15.00-16.00 MX Topped jbo 10.50-11.00
mostly 11.00 ctns bchd CA Bunched 24s
12.00 ctns 24 1-lb filmbags CA Baby
Peeled 17.00 ctns 20 1-lb filmbags CA
Baby Peeled 13.00-14.00 ctns 12 2-lb
filmbags CA Baby Peeled 17.00 ctns 4 5-
lb filmbags CA Baby Peeled few 16.00 -
CAULIFLOWER: MARKET ABOUT
STEADY ctns flmwrpd CA 12s 12.00-
14.00 mostly 12.00-13.00 9s 13.00 fair
cond 6.00-7.00 -**CELERY:** MARKET
SLIGHTLY LOWER ctns CA 2 dz
21.00-22.00 2 1/2 dz 20.00-24.00 mostly
20.00-22.00 MX 2 dz 19.00-20.00 some
18.00 2 1/2 dz 19.00-20.00 -**CHINESE**
CABBAGE: celcrts FL 14.00 few 15.00
30 lb ctns CA Nappa one label 17.00 -
CORN-SWEET MARKET HIGHFR
wbcrts FL Yellow 4-4 1/2 dz 9.00-10.00
White 4-4 1/2 dz 12.00-14.00 few 11.50 Bi-
Color 4-4 1/2 dz 12.00 -**CUCUMBERS**
MARKET SLIGHTLY LOWER flts/
ctns flmwrpd CD CDOne Long Seedless
sml 12s 6.00 WAXED 1 1/9 buctns/crts
FL med 12.00-14.00 mostly 14.00 fr qual
8.00-10.00 mostly 8.00-9.00 sml few
12.00-13.00 MX med 13.00-14.00 fr qual
8.00 ord qual 6.00 -**EGGPLANT:**
OFFERINGS LIGHT 1 1/9 buctns/crts
FL med 18.00 fair qual 13.00 ctns/crts
MX 18s 14.00-16.00 few 18.00 24s 13.00-
16.00 -**ENDIVE:** MARKET ABOUT
STEADY 1 1/9 buctns/crts FL 9.00 -
ESCAROLE: MARKET ABOUT
STEADY 1 1/9 buctns/crts FL 9.50-10.00
mostly 10.00 -**GARLIC:** MARKET

STEADY 30 lb ctns MX Purple super col
28.00 col 26.00 super jbo 24.00 exjbo
21.00 jbo 19.50 22 lb ctns/crts AG White
5 14.00-15.00 6 16.00-17.00 7 21.00-22.00
-**GREENS:** MARKET ABOUT
STEADY ctns bchd CA Kale 24s 11.00
Swiss Chard Red 12s 14.00 MX Swiss
Chard 12s 14.00 ctns/crts bchd GA Col-
lard 24s 9.00 Kale 24s 9.00 NC Collard
8.00-10.00 mostly 8.00-9.00 few 7.00
Kale 7.00-8.00 mostly 8.00 Mustard 8.00
Turnip Tops 8.00 Rape 8.00 ctns lse CA
Kale Flowering 24s 20.00 -**LETTUCE-**
ICEBERG: MARKET HIGHER ctns
CA 24s 21.00-24.00 mostly 21.00-22.00
Wrapped 24s 22.00-25.00 fair cond
12.00-15.00 -**LETTUCE-OTHER:**
MARKET LEAF SLIGHTLY LOWER,
OTHERS ABOUT STEADY ctns CA
Boston 24s 10.00-11.00 Green Leaf 24s
11.00-12.00 mostly 11.00 few 10.00 occa-
sional 13.00 Red Leaf 24s 11.00-13.00
mostly 11.00-12.00 few 10.00 FL Boston
24s 10.00 Bibb 25s 10.00 GA Green Leaf
24s 8.00 Red Leaf 24s 8.00 3 lb ctns CA
Mesculin Mix 7.00-7.50 -**LETTUCE-**
ROMAINE: MARKET ABOUT
STEADY ctns CA 24s 12.00-14.00
mostly 12.00-13.00 GA 24s 7.00-8.00
mostly 7.50-8.00 -**MUSHROOMS:**
MARKET STEADY 10 lb ctns PA lge
15.00 few 14.50 med 11.75 few 11.50 4 qt
bkts PA med-lge 6.50 sml-med 6.00 5 lb
ctns PA Oyster 18.00-20.00 Portobellas
9.00 sml 8.00 3 lb ctns PA Shitake 14.00
fair qual 11.00 Oyster few 12.00 ctns 12
8-oz trays flmwrpd PA 10.25 ctns 10 10-
oz trays flmwrpd PA 10.25 few 10.50 -
OKRA: 1/2 bucrts FL sml-med 10.00-
12.00 -**ONIONS GREEN:** MARKET
GREEN ONIONS LOWER, LEEKS
ABOUT STEADY ctns bchd GU 48s

11.00-12.00 MX 48s 8.00-11.00 mostly
8.00-9.00 crts bchd NJ Leeks 12s 12.00-
14.00 mostly 12.00 few 15.00 sml 10.00
ctns bchd GU Leeks 12s 14.00-15.00 MX
Leeks 12s 17.00 -**PARSLEY:** MARKET
ABOUT STEADY ctns bchd CA Curly
60s 11.00 MX Plain 60s 9.00-10.00 TX
Curly 60s 14.00-15.00 Plain 60s 14.00-
15.00 Root 12s 14.00 1 1/9 buctns/crts
bchd FL Curly 60s 14.00 Plain 60s 14.00
-**PARSNIPS:** 20 lb filmbags lse NJ 10.00
-**PEAS GREEN:** MARKET SLIGHTLY
LOWER including decalaxed 10 lb ctns
GU Snow Peas 16.00-18.00 mostly 16.00-
17.00 fair qual 15.00 Sugar Snap Peas
19.00-20.00 -**PEAS OTHER:** TOO FEW
SALES TO QUOTE -**PEPPERS:**
MARKET HIGHER 1 1/9 buctns MX
Bell Type Red lge fair qual 13.00-14.00
few 16.00 fair appear 10.00 Yellow exlge
fair qual 14.00-16.00 1 1/9 buctns/crts FL
Bell Type Green exlge 16.00-18.00 few
20.00 lge 14.00 Mxd Red And Green
exlge few 14.00 lge 9.00-10.00 15 lb ctns
MX Bell Type Red lge 14.00-15.00
Yellow exlge 14.00 5 kg ctns CD CdOne
Bell Type Red 80-100mm 17.00-18.00
Yellow 80-100mm 17.00-18.00 NL Bell
Type Orange 80-100mm 23.00-24.00 occa-
sional high as 26.00 Red 80-100mm
23.00-24.00 occasional high as 26.00
Yellow 80-100mm 23.00-24.00 occa-
sional high as 26.00 -**PEPPERS**
OTHER: 1/2 buctns/crts FL Jalapeno
13.00-16.00 Poblano 18.00 1 1/9 buctns/
crts FL Long Hot 10.00-12.00 mxd red
and green 10.00-12.00 -**RADISHES:**
MARKET ABOUT STEADY ctns tpd
30 6-oz filmbags FL Red 5.00-6.00
mostly 5.50 ctns tpd 14 1-lb filmbags FL
Red 6.00 40 lb filmbags tpd FL Red
15.00 ctns bchd MX Red 24s 8.00-9.00 -

RHUBARB: 20 lb ctns OR 16.00 -
RUTABAGAS: OFFERINGS
INSUFFICIENT TO QUOTE -
SPINACH: MARKET ABOUT
STEADY ctns bchd NJ Savoy 9.00-10.00
1 2/5 bucrts bchd CA Flat 24s 16.00 ctns
4 2-1/2-lb filmbags CA Flat 13.50-15.00
cel crt NJ Savoy 10.00-11.00 (bunched)
lse 6.00-7.00 few higher 4 lb ctns CA Flat
Baby Type 11.00 -**SQUASH:** MARKET
ZUCCHINI LOWER, YELLOW
STRAIGHTNECK OFFERINGS
LIGHT 1/2 buctns FL Zucchini sml-med
7.00-8.00 med 6.00 Yellow Straightneck
sml-med 14.00-16.00 GA Zucchini sml-
med 7.00-10.00 mostly 8.00 med 5.00-
8.00 mostly 6.00 Yellow Straightneck
sml-med 14.00-16.00 med 12.00-14.00 5/
9 bucrts FL Zucchini sml-med 14.00
ctns/lugs MX Zucchini sml-med few 8.00
-**SWEET POTATOES:** MARKET
ABOUT STEADY CURED 40 lb ctns
LA U.S. One Beauregard med 15.00 fair
qual 10.50 NC U.S. One Beauregard
med 12.00-13.00 fair appear 11.00 fair
qual 8.00 jbo 8.50 -**TOMATOES:**
MARKET HIGHER 25 lb ctns FL Vine
Ripes light red-red 5x6s 9.00-10.00 85%
U.S. One or Better Mature Greens light
red 5x6s 8.00-9.00 mostly 8.00 few 10.00
6x6s 7.00-8.00 Local Repack 85% U.S.
One or Better Mature Greens light red
5x6s 11.75 6x6s 11.75 6x7s 11.75 5 kg
ctns on the vine NL Vine Ripes Green-
house light red-red med 13.00 -
TOMATOES, CHERRY: MARKET
CHERRY TYPE HIGHER, GRAPE
TYPE ABOUT STEADY flts 12 1-pt
bkts FL pink-light red 10.00-11.00
mostly 10.00 flts 12 1-pt cntrs with lids
FL Grape Type light red-red 9.00-10.00
flts 12 1-pt bkts MX red 9.00-10.00 fair
cond 6.00-7.00

**Lancaster
Poured
Walls**

- Agriculture
- Commercial • Residential

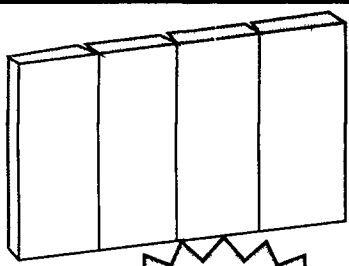
Call for Prices On:

- NRCS approved Manure Storage Pits
- Basements
- Footers
- Retaining Walls
- Foundation Walls

Customer Satisfaction Is Our Goal

Lancaster Poured Walls, Inc.

2001 Jarvis Rd. • Lancaster, PA 17601 • (717) 299-3974



**THIS LITTLE DRIP
WILL MAKE A
BIG
SPLASH
ON YOUR BOTTOM LINE.**

Whether you currently use hard hose or some imitation tape, we have information that will reduce your overhead. Information that shows exactly how T-Tape, the most durable drip tape can increase yields, reduce costs and deliver solutions in the most uniform wetting pattern possible. Call

your T-Tape dealer today to learn more and to receive our Drip Irrigation Facts & Figures Booklet. Then ask our competitors for their data because it's time for proof!

Rain-Flo Irrigation
(717) 445-6976



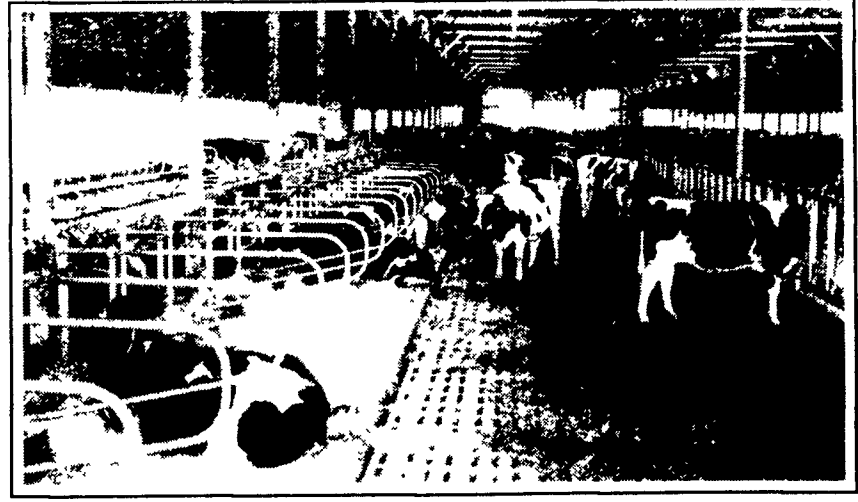
©1997 T-TAPE and TSN, Inc. USA. Trademark of T Systems International, Inc. in the United States and other countries. U.S. Patent Nos. 4,410,881; 4,380,776; 5,352,838; 5,340,527; 5,315,455 and other U.S. and foreign patents issued and pending. T-SYSTEMS International, Inc.



477 East Farmersville Rd.
New Holland, PA 17557
(717) 355-2361



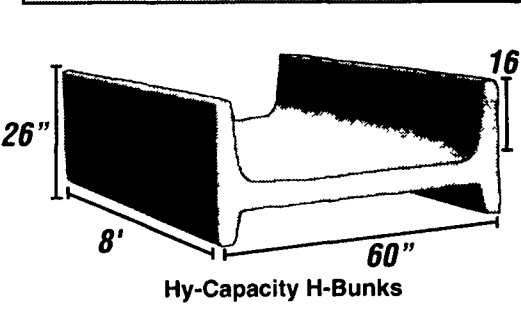
Concrete Slatted Free Stall Barn



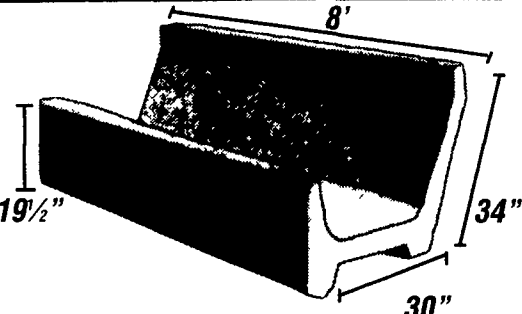
Long Core Cattle Waffle Slats



**Precast Concrete T-Wall
Bunker Silos or commodity
buildings built to suit your
needs. Bunkers available
in 8 Ft. or 12 Ft. High**



Hy-Capacity H-Bunks



Slant Back J-Bunks

End Sections Available For Feed Bunks

Give us a call for more information on hog, beef, dairy and heifer barns.