

Applications Available For Environmental Excellence Award

PITTSBURGH (Allegheny Co.) — Pennsylvania Department of Environmental Protection (DEP) Regional Director Charles Duritsa recently encouraged environmental leaders, including employers, local governments and individuals, to apply for the 2001 Governor's Award for Environmental Excellence by the May 4 deadline.

"Gov. Tom Ridge created these awards to recognize Pennsylvania's environmental leaders for their efforts in preserving and enhancing our environment," Duritsa said. "Each year, the winners of the award demonstrate the positive relationship between protecting our natural resources and strengthening our economy."

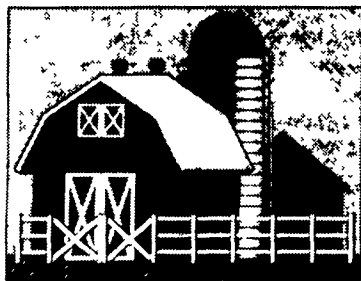
Since January 1997, the 132 award winners have realized \$460 million in cost savings. And they have reduced wastewater by 3.3 billion gallons, solid waste by 93 million tons, air emissions by 88 million tons and saved more than 40 million kilowatt hours of electricity. The numbers continue to grow because they are annual savings.

Since 1996, Gov. Ridge has presented the Governor's Award for Environmental Excellence to Pennsylvania's leaders in innovative green technologies and environmental management. The awards honor individuals, businesses, municipalities and institutions working to benefit Pennsylvania's environment and economy.

Any Pennsylvania business, government agency, municipality, organization, individual, farm or agribusiness engaged in pollution prevention, recycling or energy efficiency efforts in the Commonwealth is eligible to participate in the Governor's Award for Environmental Excellence.

A portion of the project must have been implemented during 2001 to be eligible. Awards will be issued for projects in four categories: Resource Protection; Land Use; Energy Efficiency; and Education and Outreach.

To submit or download a 2001 Governor's Award application electronically or to find out more information on the awards program including descriptions and video clips of previous winners, visit DEP through the PA PowerPort at www.state.pa.us or directly at www.dep.state.pa.us (directLINK "2001 Application").



Animal Sciences Students Earn National Awards

UNIVERSITY PARK (Centre Co.) — Eight undergraduates from Penn State's animal sciences program recently earned national awards.

Poultry

Heather Lehman, senior in animal sciences, was named "U.S. Poultry Science Club 2001 Student of the Year" at the National Poultry Science Club's annual meeting.

Lehman will graduate in May 2001. Penn State's Poultry Club also won the 2001 National Best Scrapbook Award. The scrapbooks, put together by clubs all over the country, highlight their local clubs' activities during each academic year.

Livestock

Jameson Walker and Kevin Harvatine were recently named National Block and Bridle Outstanding senior and junior, respectively, at the club's annual convention.

Walker, who graduated in dairy and animal science with the highest GPA among the college's seniors, served as college marshal at the May 2000

graduation. Harvatine will earn his bachelor's degree in animal sciences in May 2001.

Dairy

Heather (Oberholtzer) Hostetter, who works for Monsanto Dairy Business in Minnesota, was the winner of the Dairy Shrine Student Recognition Award given during the 2000 World Dairy Exposition in Madison, Wis. This award is given to the top dairy science undergraduate in the country. Hostetter earned her bachelor's degree in dairy and animal science in May 2000.

National Beef Quiz Bowl Team

The College's 2001 Beef Quiz Bowl Team — with members Curtis Beidel, Tia Crider, Mark Hazelton, and Doug Koontz — competed and won first place at the National Collegiate Beef Quiz Bowl at the National Cattlemen's Beef Association's annual convention. Crider received her degree in dairy and animal science in December 2000. The other members will graduate in animal sciences in May 2001.

According to coach Jana Peters, who accompanied the

team, the college has represented the northeast region at the competition for eight of the past nine years and has won first place five times.

"The fact that Penn State has dominated this contest speaks to the quality of our students, as well as to the quality and rigor of instruction that they receive," she said. "Our students excel academically. They also are prepared in the practical aspects of production agriculture, which is apparent during the contests as question topics range from applied beef management to reproductive physiology."

In 1999, the college combined the majors in dairy and animal science and poultry management and technology into an interdepartmental animal sciences program. This new major — which covers beef and dairy cattle, companion animals, horses, poultry, sheep, and swine — equips students with the latest, most relevant skills for the changing animal industry.

For more information on the major, contact Jana Peters by phone at (814) 863-4198 or by e-mail at jp9@psu.edu.

ATTENTION: ALL LAND OWNERS

If you want to dramatically increase your net worth, you should subdivide your land. We are the only contract land developer. We develop the land for you. You sell as much or as little, if and when you choose.

Call Lynn
610/488-6835 w/inquiries

HAY, STRAW,
PEANUT HULLS
At farm or delivered in any
quantity as you require.

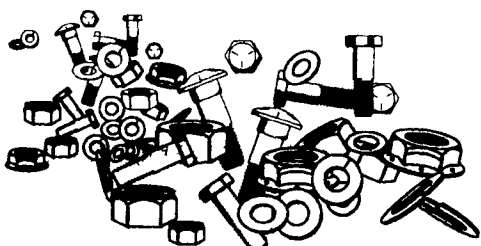
**Ebenshade
Turkey Farm**

(America's oldest Since 1858)

Paradise, Pa.
(717) 687-7631

GR-5 Bolts .99#!

On Sale Through March 31



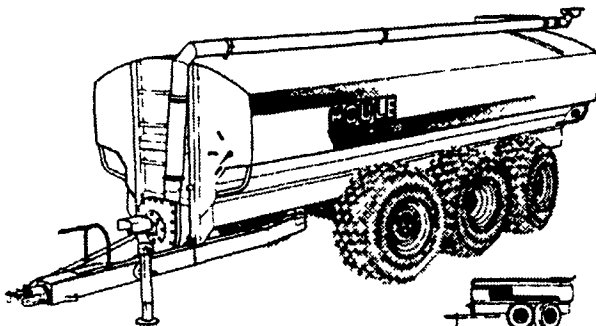
Holtwood Supply
1010 Susquehannock Drive
Holtwood, PA 17532
(717) 284-0883

HOULE

LIQUID MANURE SPREADER

WITH FLOTATION TIRES TO MINIMIZE SOIL COMPACTION

Available with complete line of spreading tool bars and precise flow control to spread manure the ecological way eliminating spray drift and reducing odors. Our tool bars are designed to apply hog or dairy manure on growing fields, between rows of corn or on harvested fields.



4-6 OR 8 WHEEL SPREADERS WITH POWER STEERING 3850 TO 9500 US GAL.

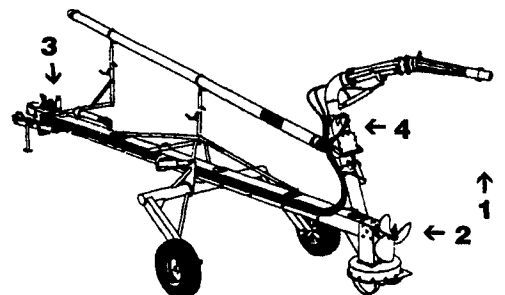
SPREADERS WITH SINGLE AXLE OR TANDEM 2350 TO 6000 US GAL.

- "V" shape bottom for more complete clean out.
- Standard exterior finish: epoxy primer and urethane paint.
- Low profile tank for maximum visibility and stability.

TRAIL AGI-POMPE

32' and 42' for Lagoons

GREAT PERFORMANCE
IN HOG OR DAIRY MANURE



- 1-Highly articulated nozzle designed to slice and break the top crust from above the manure level as the propeller homogenises the liquid with the remaining floating chunks.
- 3-Hydraulic controls can be operated from tractor seat.

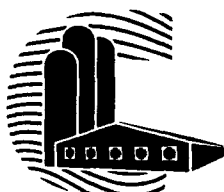
- 2-24" dia. mixing propeller providing full time agitation up to 21,500 US G.P.M. even when loading a spreader.
- 4-Rotative directional valve designed to be operated at low R.P.M. without stopping the P.T.O.

Gear box oil bath protected by a greasable 3 seals mechanism on each shaft.

AVAILABLE WITH MULTIPURPOSE OPTION TO ALSO CLIMB INTO CONCRETE PITS UP TO 14' DEEP.

UNITS IN STOCK FOR SALE OR RENT

- 2001 Houle 5250 Gal. Tank Spreader, Steering, Brakes, 28Lx26 Tires (New)
- 1998 Houle 5250 Gal. Tank Spreader, Steering, Brakes, 28Lx26 Tires (Trade-in)
- 2000 Houle 32 ft. Lagoon Pump (New)
- Houle 7 ft. Stationary Pump (new)
- Houle 3" Liquid Transfer Pump (New)
- Calumet 12 ft. Trailer Pump - \$2,500



**CEDAR CREST
EQUIPMENT**

800-646-6601
717-866-1888

339 King Street, Myerstown PA 17067

Parts Stores: East Earl—717-354-0584 • Quarryville—717-786-1587