

## Hay Auction Opens At 4-H Center March 31

CENTREVILLE, Md. — Buyers and sellers are needed for the start of a hay and straw auction Saturday, March 31, at the Queen Anne's County 4-H Center.

The sale, which begins at 11 a.m., needs consignments at 8 a.m. Loads can be sold by the

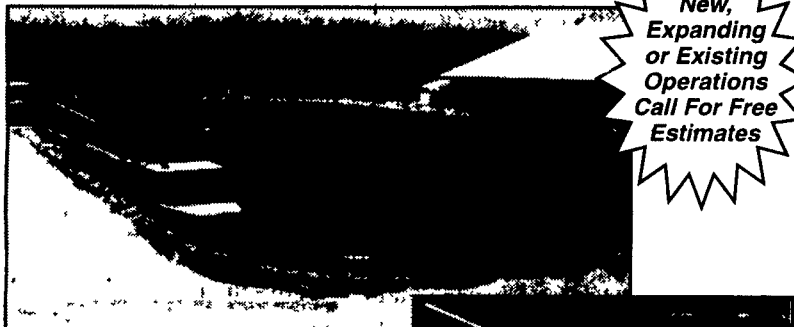
bale or ton (seller's choice). Free delivery is available in a 15-mile radius, and is \$1 per mile over 15 miles.

For more information, contact Stan Schmidt, Crumpton, Md., (410) 928-5606 or Walter Schmidt, Sudlersville, Md., (410) 438-3261.

# Give 'em what they want: BEEF!

## SITE EXCAVATION

Installation of H.D.P.E. Liner Systems for: Dairy, Hog, and Veal Manure Storage Facilities Golf Course and Recreational Ponds



**New, Expanding or Existing Operations Call For Free Estimates**

### FEATURES:

- 60 mil thick H.D.P.E. Liner
- Geotextile underlayment
- Leak detection system
- Economical Manure Storage
- Seals manure in, subsurface water out
- Concrete ramp for manure agitation and pumping

## MANADA CONSTRUCTION CO.

1942 Camp Swatara Road • Myerstown, PA 17067  
Ph: (717) 933-8853 • Fax: (717) 933-8078

## MILLER DIESEL, INC.

FUEL INJECTION & TURBO SPECIALIST

6030 JONESTOWN ROAD, HARRISBURG, PA 17112  
(717) 545-5931 • 1 (800) 296-5931

Since 1957



Specializing in:

**FARMING & AGRICULTURAL**  
Factory Authorized Diesel Fuel Injection  
Sales, Service & Parts

### Miller Diesel, Inc. offers:

- Diesel Fuel Injection Pumps, Injectors, Turbochargers
- Factory Trained & Authorized for complete services on: Stanadyne (Roosa Master), Lucas CAV, Simms, Robert Bosch, Ambac (American Bosch), etc
- Instant Exchange or Rebuild (Fast Turn Around Time)
- Feed Pumps (John Deere & Most All Applications)
- Quality Workmanship, Experience, Troubleshooting.
- Free Pick Up & Delivery (100 mile radius of Hbg) Daily UPS Shipping

Clip & Save  
**NEW CUSTOMER 10% DISCOUNT**

On Rebuilt Or Exchange Injection Pumps  
With This Coupon - Maximum Value \$50<sup>00</sup>  
Offer Expires Dec. 31, 2001

## MILLER DIESEL, INC.

WE WANT TO BE YOUR FUEL INJECTION SPECIALIST

## Gary Truckenmiller To Receive Award At NCCD Spring Banquet

SUNBURY (Northumberland Co.) — The Northumberland County Conservation District's annual awards banquet is scheduled for Thurs., March 8 at the Otterbein United Methodist Church in Sunbury, starting at 6:30 p.m.

Gary Truckenmiller, Warrior Run, will be honored as the 2001

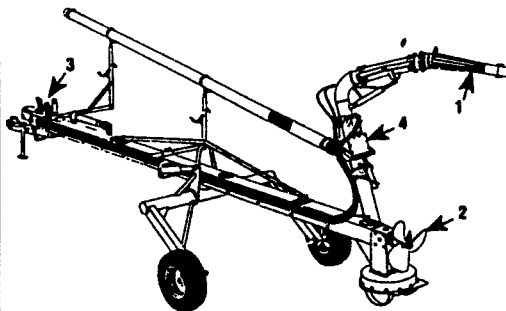
Conservation Farmer of the Year. Awards will be presented to other groups and individuals as well. The winner of the Zimmerman Dodge/Conservation District speech contest will give her speech and winning entries of the poster contest sponsored by Furman Foods, Northumberland, will also be on

display. Posters were submitted by students in all age categories from county schools.

The guest speaker, Dr. Robert Hansen, the Penn State Cooperative Extension Forester in Bradford County. Dr. Hansen will be presenting a slide program on the forests of Pennsylvania and Denmark.

## TRAIL AGI-POMPE® 32' AND 42' FOR LAGOONS

GREAT PERFORMANCE  
IN HOG OR DAIRY MANURE



### In Stock For Immediate Delivery

- 1- Highly articulated nozzle designed to slice and break the top crust from above the manure level as the propeller homogenises the liquid with the remaining floating chunks
- 2- 24 dia mixing propeller providing full time agitation up to 21 500 US GPM even when loading a spreader
- 3 Hydraulic controls can be operated from tractor seat
- 4 Rotative directional valve designed to be operated at low RPM without stopping the PTO

**Gear box oil bath protected by a greaseable 3 seals mechanism on each shaft.**

AVAILABLE WITH MULTIPURPOSE  
OPTION TO ALSO CLIMB INTO  
CONCRETE PITS UP TO 14' DEEP

**HOLLE** FARM EQUIPMENT  
MANUFACTURER

**SPREADER & PUMP  
RENTALS AVAILABLE**

## NEW/USED/RENTAL LIQUID MANURE EQUIPMENT

### THIS WEEK'S SPECIAL

Houle 6300 Gal. Spreader, 28Lx26 Tires, Steering, Brakes, Lights, 2000 Rental - \$25,000

### Spreaders

- Houle 5250 Gal. Spreader, 28Lx26 Tires, Steering, Brakes - NEW.....CALL
- Houle 4300 Gal. Spreader, 28Lx26 Tires, Brakes, Lights, 2000 RENTAL.....\$13,900
- Houle 4300 Gal. Spreader, 28Lx26 Tires, Steering, Brakes - NEW.....CALL
- Houle 3600 Gal. Spreader, 23.1x26 Tires, Excellent Condition, 1994 - USED.....\$7,800
- Houle 3600 Gal. Spreader, 23.1x26 Tires, Brakes - NEW.....CALL
- Calumet 1500 Gal. Vacuum Tank, 14.L x 16 1 Tires - NEW ..... \$9,050

**CALL US ABOUT SPREADER  
TANK & PUMP RENTALS**

### Pumps

- Houle 32 ft. Lagoon Pump, HD Drive Line, 8" Fill - 2000 Rental.....\$8,400
- Houle 10 ft. Vertical Trailer Agi-Pump, 2000 Rental .....\$6,900
- Neseth 25 ft Lagoon Pump, Good Condition...\$1,800

**HOLLE**

**Calumet**

"We're Here To Serve You"

## SNOOK'S EQUIPMENT

RD 3, Box 130, Mifflinburg, PA 17844  
570-956-2736

Ask For Best or Dean

# PRECISE CONCRETE WALLS, INC.

**For All  
Your Concrete  
Walls And  
Construction Needs**

Agriculture - Residential - Commercial

- Buildings • Basement • Floors
- Retaining Walls • Footer
- NRCS Approved Tank Designs
- All Types Of Flat Work

Specializing In  
**Manure Storage**  
Round or Rectangular.  
In-Ground or  
Above-Ground



10' Deep Circular Manure Storage

**Invest in Concrete, Quality Work That Will Last A Lifetime**

CALL FOR **FREE** ESTIMATES  
AND SEE HOW AFFORDABLE  
CONCRETE WALLS CAN BE

**CONTACT  
ROY SENSENIG  
717-355-0726**

**Authorized Dealer For Keystone Concrete Products**

# PRECISE CONCRETE WALLS, INC.

601 Overly Grove Rd., New Holland, PA 17557