



**Phila. Fruit**

PHILADELPHIA Terminal  
February 28, 2001

Report Supplied By USDA

CITRUS FRUITS -CLEMENTINES: OFFERINGS LIGHT 2.3 kg crts SP 24s 5.50 32s 5.50 -GRAPEFRUIT: MARKET STEADY 4/5 buctns FL U.S. One Indian River Red 23s 12.50-13.00 27s 12.50-13.00 32s 10.00 36s 9.00 40s 8.50-9.00 -LEMONS: MARKET STEADY ctns AZ Shprs 1st Grade 95s 16.00 115s 16.00-17.00 140s 15.50-16.00 165s 15.50-16.00 Shprs Choice 95s 10.00-12.50 mostly 12.00 115s 12.00-12.50 mostly 12.00 140s 12.50-13.50 mostly 13.00 165s 13.50 200s 13.50 CA Shprs Choice 95s 13.00 115s 13.00 140s 13.00 165s 14.00 200s 14.00 -LIMES: MARKET LOWER 10 lb ctns MX 42s 8.25-8.50 48s 8.00-8.50 54s 8.00-8.50 mostly 8.50 63s 8.00-9.00 mostly 8.50 40 lb ctns MX 110s 14.00-16.00 150s 20.00-26.00 some 18.00 175s 22.00-26.00 mostly 22.00-24.00 -MISC CITRUS. NO SALES REPORTED -ORANGES MARKET STEADY ctns CA Shprs 1st Grade Navel 48s 14.00 one label 16.00 56s 14.00-14.50 mostly 14.00 72s 13.00-14.00 mostly 14.00 88s 13.50-14.00 mostly 13.50 113s 13.00 Shprs Choice Navel 48s 10.00 56s 11.00 72s 10.00 4/5 buctns FL Valencia 100s 9.50 125s 9.50 Pineapple 80s 9.50 100s 9.50 -TANGELOS: NO SALES REPORTED -TANGERINES: MARKET STEADY 4/5 buctns FL Honey 80s 23.00 100s 17.00-20.00 120s 14.00-17.00 150s 14.00 180s 12.00 -TEMPLES: MARKET STEADY 4/5 buctns FL 64s 11.00 80s 11.00 100s 10.00

BERRIES -BLUEBERRIES: MARKET HIGHER flts 12 6-oz cups

with lids CL med 27.00-30.00 fr cond 24.00 -CRANBERRIES: OFFERINGS NONE -MISC BERRIES: MARKET GU LOWER, MX STEADY. flts 12 1/2-pt bkts with lids GU Blackberries 12.00 MX Blackberries 15.00 -RASPBERRIES: MARKET LOWER flts 12 6-oz cups with lids CL Red 12.00-16.00 mostly 15.00-16.00 -STRAWBERRIES: MARKET ABOUT STEADY flts 12 1-pt bkts CA med-lge 22.00-24.00 AIR med-lge 23.00 FL med-lge 12.00 fr cond 8.00-9.00 med 10.00-11.00 fr cond 6.00-7.00 flts 8 1-lb cntrs with lids CA med-lge 12.00

MELONS -CANTALOUPS. MARKET ABOUT STEADY 1/2 ctns CR 12s 13.00-14.00 fr cond 10.00 15s 13.00-14.00 fr cond 10.00 HD 12s fr cond 10.00-12.00 ord cond 2.00-3.00 -HONEYDEWS: MARKET ABOUT STEADY 3/4 ctns CR 6s fr cond 12.00-13.00 GU 5s 18.00 6s 18.00 8s 18.00 HD 6s 16.00-17.00 3/4 jbo ctns HD 5s 16.00 -MISC MELONS. OFFERINGS INSUFFICIENT TO QUOTE -WATERMELONS MARKET LOWER ctns per ctn CR Red Flesh Seedless Type 4s 24.00-27.00 5s 20.00-23.00 6s 15.00-16.00 MX Sangria 3s 25.00 4s 24.00

NON-CITRUS FRUITS -APPLES. MARKET STEADY ctns trypk WA U S ExFcy Golden Delicious 56s 11.00 88s 12.00 Gala 100s 13.00 ctns 12 3-lb filmbags NY U.S. Fey Red Delicious 2 1/4" min 7.00 McIntosh 2 1/4" min 7.00 Empire 2 1/4" min 7.00 Jonagold 2 1/4" min 7.00 CONTROLLED ATMOSPHERE STORAGE ctns trypk WA WAExFcy Red Delicious 80s 13.00-15.00 88s 13.00-15.50 mostly 14.50 one label 16.50 100s 13.00-15.00 some 15.50 113s 13.00-15.50 some 16.00 125s 15.00 138s 15.00-15.50 Fuji 72s 20.00 100s

17.00 Gala 100s 17.00 -APRICOTS: OFFERINGS NONE -AVOCADOS MARKET ABOUT STEADY ctns 2 lyr MX Hass 48s 28.00-32.00 mostly 32.00 -BANANAS: MARKET STEADY 40 lb ctns IMPORT 17.00 fr qual 13.00-14.50 mos 14.00 sml 11.50-12.00 mos 12.00 petite 13.00 40 lb ctns bagged IMPORT 16.00 -CHERRIES: OFFERINGS INSUFFICIENT TO QUOTE -FRUITS OTHER: NO SALES REPORTED -GRAPES: MARKET ABOUT STEADY 18 lb lugs bgd CL BOAT Thompson Seedless exlge 20.00-21.00 lge 13.00-16.00 Flame Seedless exlge 20.00 lge 13.00-16.00 mostly 14.00-16.00 med 11.00-12.00 fr cond 6.00-8.00 18 lb lugs wrpd CL BOAT Black Seedless med-lge 14.00-15.00 mostly 14.00 PE BOAT Red Globe exlge poor cond 2.00 -KIWIFRUIT: flts 1 lyr CL Hayward 39s 6.00-6.50 ctns 22 lb lse IT Hayward 30 sz 11.00 36 sz 10.00 39 sz 9.00 42 sz 8.00 -MANGOES: MARKET ABOUT STEADY ctns 1 lyr HT Francis 12s 10.00 NI Tommy Atkins 8s 7.00 PE Kent 8s 6.50-7.00 mostly 7.00 9s 6.50-7.00 10s 6.50-7.00 -NECTARINES: OFFERINGS INSUFFICIENT TO QUOTE -PAPAYA. MARKET STEADY 10 lb ctns BR Red Flesh 12s 11.00 BZ Red Flesh 7s 11.00 9s 11.00 40 lb ctns MX Maradol fr cond 16.00 30-35 lb ctns BZ Maradol 9s 20.00-21.00 10s 20.00-21.00 12s 20.00-21.00 -PEACHES: OFFERINGS INSUFFICIENT TO QUOTE -PEARS. MARKET STEADY 18 kg cntrs wrpd AG BOAT Bartlett 90s 20.00-22.00 mostly 20.00 100s 18.00-20.00 mostly 18.00 110s 18.00 120s 16.00

CONTROLLED ATMOSPHERE STORAGE 4/5 buctns wrpd OR U.S. One Bosc 80s one label 28.00 90s one label 27.00 100s 22.00 one label 25.00 110s 20.00 WA U.S. One D'Anjou 70s 17.50 80s 17.50-20.00 90s 16.00-20.00 100s 16.00-17.50 110s 17.50 120s 17.50 Bosc 70s 22.50 80s 22.50 90s 22.50 100s 22.50 110s 20.50 120s 18.50 -PERSIMMONS: ctns 1 lyr IS Sharon 12s 6.00 -PINEAPPLES: MARKET ABOUT STEADY ctns 1 lyr HI AIR 6s 12.50 MX golden ripe 6s fr cond 8.00 ctns 2 lyr CR 10s 12.00-13.00 mostly 12.00 12s 12.00 14s 12.00-13.00 mostly 12.00 HD 10s 10.00 12s 12.00-13.00 -PLANTAINS: MARKET STEADY 50 lb ctns CR Yellow 14.50 EC Green 14.00 -PLUMS: ctns 2-lyr CL BOAT Larry Anne 44s 10.00-12.00 52s 8.00-10.00 -POMEGRANATES: OFFERINGS NONE -PRUNES: OFFERINGS NONE

Red Globe Type NY 25 lb sks jbo 11.00-13.00 mostly 11.00-12.00 med 6.00-9.00 few 10.00 NEW CROP White MX 50 lb sks jbo 30.00-33.00 few 35.00 Boilers MX 25 lb sks 18.00 -POTATOES: MARKET STEADY US1 SZ A WASHED OR BRUSHED UNLESS OTHERWISE STATED Russet Burbank ID bld 10 5-lb mshsks non sz A 8.25-9.00 50 lb ctns 40s 7.50-8.00 50s 7.50-8.50 mostly 7.50-8.00 60s 7.50-8.50 mostly 7.50-8.00 70s 7.50-8.50 mostly 8.00-8.50 80s 8.00-8.50 mostly 8.00 90s 8.00-8.50 100s 8.00-8.50 120s 8.00-8.50 mostly 8.00 Round Red MN/ND 50 lb sks 8.50-9.50 mostly 8.50 sz B 11.00-12.00 mostly 12.00 NY 50 lb sks 10.00 WA 50 lb ctns 15.00 sz B 18.00 Round White ME 50 lb sks 5.00-5.25 PA 50 lb sks 5.00-5.50 lge 6.00-6.50 NEW CROP Round Red FL 50 lb sks 13.00-14.00 mostly 14.00 fr qual 9.50-10.00 sz B 16.00-18.00 Round White FL 50 lb sks 19.00

**Phila. Onion, Potato**

PHILADELPHIA Terminal  
February 28, 2001

Report Supplied By USDA

ONIONS AND POTATOES - ONIONS DRY: MARKET ABOUT STEADY US1 OR GENERALLY GOOD QUAL AND COND UNLESS OTHERWISE STATED. Yellow Globe Type NY 50 lb sks med 6.00-8.00 mostly 7.50-8.00 mstr cntr 20 2-lb mshsks med 6.50-7.00 Spanish Hybrid ID/OR 50 lb sks Super Col 15.00 col 12.00 jbo 10.00-11.00 mostly 11.00 WA 50 lb sks jbo 10.00-11.00 mostly 10.00-10.50 Sweets PE 40 lb ctns jbo 25.00-30.00 few 32.00

**Dewart Livestock**

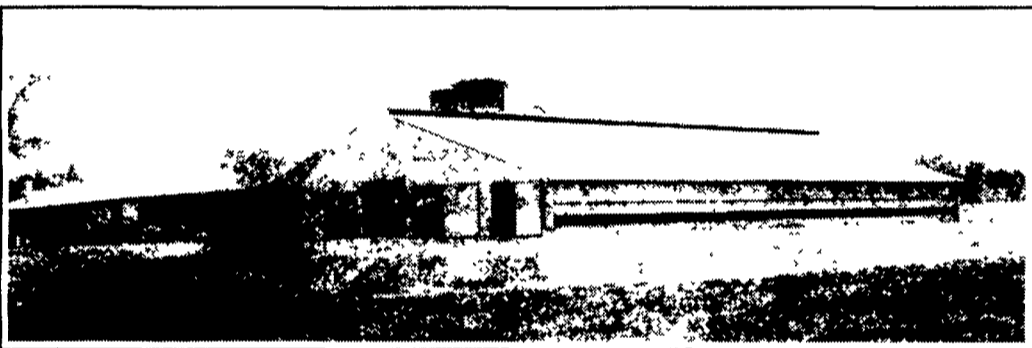
Dewart, Pa.  
Report Supplied By Auction

Monday, Feb. 26, 2001

STEERS: 60.00-76.00.  
HEIFERS: 50.00-65.00.  
GOOD COWS: 40.00-50.00.  
CANNERS AND CUTTERS 30.00-40.00.  
BULLS: 54.00-59.25.  
VEAL: 90-190 LBS. 100 00-352.50, 70-90 LBS. 40.00-100.00.  
HOGS: 2 AT 41.50.  
SOWS NONE.  
FEEDER PIGS: 20.00-31.50 PER HEAD.



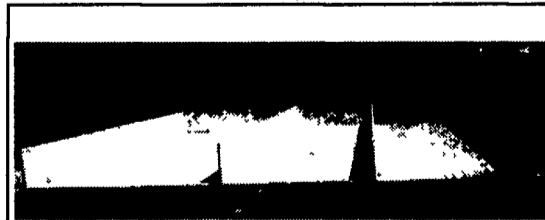
477 East Farmersville Rd.  
New Holland, PA 17557  
**(717) 355-2361**



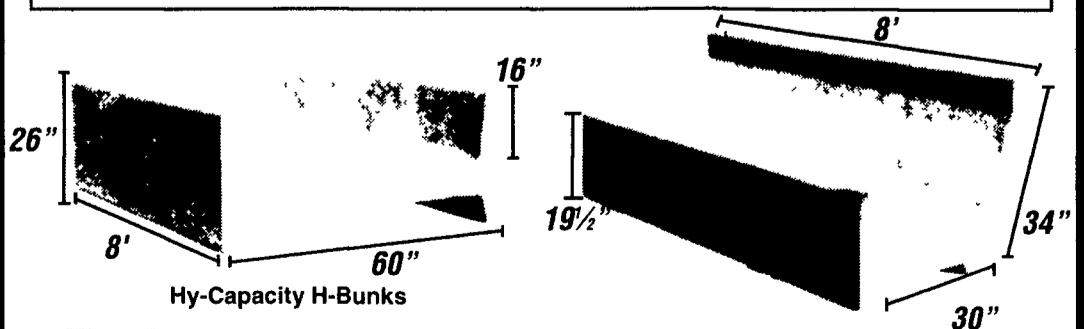
**Concrete Slatted Free Stall Barn**



**Long Core Cattle Waffle Slats**



Precast Concrete T-Wall Bunker Silos or commodity buildings built to suit your needs. Bunkers available in 8 Ft. or 12 Ft. High



End Sections Available For Feed Bunks

Slant Back J-Bunks

Give us a call for more information on hog, beef, dairy and heifer barns.

**ATTENTION DAIRY FARMERS**

LANCO Dairy Farmers Co-Op Inc.

1373 Beaver Dam Road, Honey Brook, PA 19344

Mr. Farmer, we have several processors who would like to market more milk. Please call us to check out our programs and prices. We have an excellent quality control program as well as prompt local milk haulers. **LANCO** is one of the few farmer run and controlled grass roots co-ops on the east coast. Our farmers are real people to us, and are not just a number. We do not discriminate because of your size, all farms receive the same base price and hauling charge. **LANCO** is an honorable co-op with your farm in mind. We take no equity out and have the lowest deductions in the industry. We are a milk marketing division of Allied Federated Co-Op, Inc. of Canton, New York. Call us today!

**We are truly farmers coming and working together!**

**For More Information Call**

**410-658-7532 - 717-789-9685 - 717-993-6808**

**HDPE PLASTIC FABRICATORS for LEAK PROOF SYSTEMS**

Cross gutter systems  
Push-offs for free stall barns  
Lining of cisterns  
Various size boxes & liners

Gravity Flow gutter systems with 5/8" bottoms and 1/4" sides customized to fit your barn all seams welded low maintenance



Fly-Thru Barn Clean-Up

Call for free estimates - we would be glad to show you operating facilities

**HOMESTEAD EXCAVATING CO.**

151 Meckville Rd., Myerstown, PA 17067

**717-933-4366**