

100% Financing w/Good Credit at 9% Int.



Cat E120 Hydraulic Ex. 1989 New Paint, Nice.....\$26,500

(2) 312 Hydraulic Excavators
Your Choice
\$36,000



Gehl 6635 Skid Loader w/1100 Hrs., New 14" Rubber, Cab Encl. w/Heater.....\$16,000
Not Original Photo

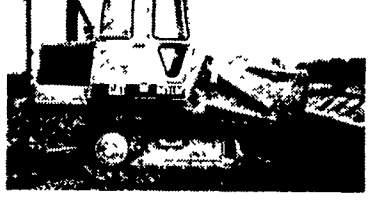


96 Cat D4C w/Ripper, 2300 Hrs.....\$48,000 \$46,000

95 JD 310D, Tractor Loader Backhoe, Cab, 4x4.....\$28,500

CRAWLER LOADER

Cat 955, New Paint, Pins Turned, New Sprockets, New Pads\$19,500
95 JD 455G Crawler Loader, 2200 Hrs., New Paint.....\$32,500



Cat 953 Crawler Loader 1988, w/Cab, 80% UC.....\$37,000

WHEEL LOADERS

Cat 920 Wheel Loader, New Rubber & Paint, 3rd Valve, New Hewitt Quick Couple & Bucket.....\$17,500
Pallet Fork Avail.....\$1,000
Volvo Michigan L190, 6 yd Bucket.....\$37,000

ROLLERS

Dynapack Double Drum 66" Roller with Vibrator w/Cat Diesel, New Paint.....\$12,500

LIFT EQUIPMENT

Lull 644 Forklift w/37' Reach.....\$23,000
1996 Snorkel Scissor Lift, 4x4, 1300 Hrs., 4' Platform Ext.....\$8,500
JLG 40' Scissor Lift, 4 Cylinder Ford.....\$7,500
Grove 66 Ft 4x4 Manlift.....\$18,900 \$15,000
Grove 45 Ft 2x4 with 1700 Hrs.....\$15,500 \$14,500
Simon 66 4x4 Manlift.....\$17,000 \$15,000

AA Equipment

717/529-2512
No Sunday Calls

1797 Robert Fulton Hwy., Quarryville, PA 17566
• We Buy & Sell • Financing Available

FORKLIFTS

2,000 TO 15,000 LB.
\$2,000 & upwards
GAS/LP-DIESEL-ELECTRIC
Cushion-Pneumatic-Rough Terrain
New Komatsu Forklifts Available
PA INDUSTRIAL EQUIPMENT
(610) 369-9778



Toyota 6000 Lb. Forklift
See Thru Triple Mast, Propane, 52 Hr. On Rebuilt Motor, New Paint, Very Good Cond.
\$5,800 717-687-9567

BUYING & SELLING USED CONSTRUCTION EQUIPMENT,

NEW & USED PARTS & ATTACHMENTS

CALL
H.E.L.P., INC.
(717) 469-0039
(717) 469-7679 FAX

Specializing In Caterpillar Parts also available for Case, Fiat, IHC, Komatsu, Deere, Etc.

ALL PARTS AT DISCOUNT PRICES!

****PARTS LOCATING SERVICES****
Call Us For Your Parts & Service Manual Needs

HEAVY EQUIPMENT LOADER PARTS, INC.

10070 Allentown Blvd. Grantville, PA 17028

J D EQUIPMENT

Pennsburg, PA 18073 • 215-679-5958

New Thomas Skid Steer Loaders

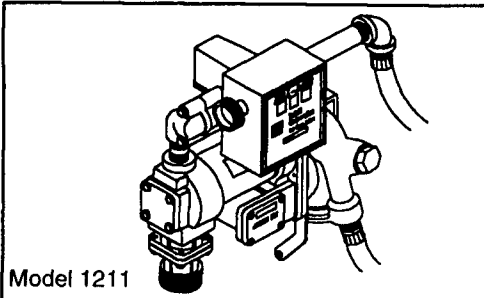
Special Sale Prices on New Thomas Excavators thru February 23rd
Thomas 233HD Skid Loader.....CALL
(2) JD 401C Wheel Loaders.....CALL
JD 490D Excavator.....CALL
www.jdequip.com



FORKLIFTS FOR SALE

All Makes and Models Bought & Sold
215/773-9660

FILL-RITE PUMP SPECIAL Model 1211 w/meter



Model 1211

\$ 355.00 plus tax
1/4 hp / 12 volt / 13 gpm

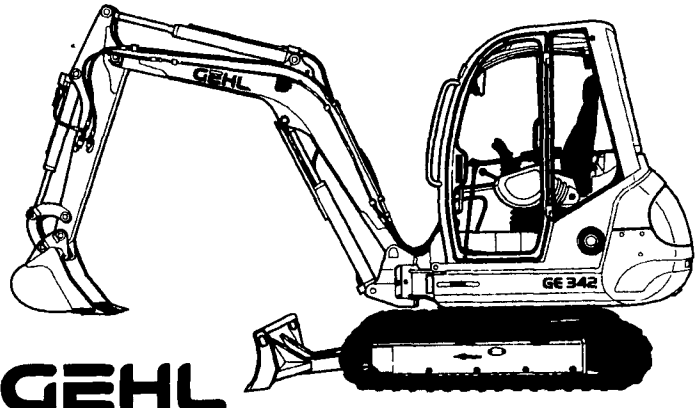
Certified Petroleum Technologies, Inc.
75 South 13th Avenue
Lebanon, PA 17042
www.cpt-online.com
717-270-8910
Master Card / Visa

BINKLEY & HURST BROS. INC. IS YOUR GEHL DEALER FOR QUALITY NEW GEHL EXCAVATORS

The Total Package

NEW GEHL EXCAVATORS

- Twelve models from 1.4 - 8 tons
- HP ranging from 14 to 62
- Digging depths from 6'10" to 14'5"
- Dozer blade, two-speed drive system and rubber tracks std.
- Advanced high-output hydraulic system allows simultaneous functions without loss of power or speed



With features that can outperform other brands - we have forward tilt operator platform for easy access to internal components and aux. hyd. with most everything you would expect in a state-of-the-art excavator.

Smaller models available with hyd. tilt platforms for hillside digging.
Smaller models available with hyd. expandable tracks.

Several in stock at your Gehl dealer with service to back every sale.

Get a Gehl from Binkley & Hurst Bros. Today!
Ask about early winter discount programs

BINKLEY & HURST BROS. INC.

133 Rothsville Station Rd.
P.O. Box 0395
Lititz, PA 17543-0395
(717) 626-4705 1-800-414-4705
Fax 717-626-0996



JERRE MARTIN REPAIR

391 N. Farmersville Rd., Ephrata, PA 17522
(Just minutes off RT 222)
(717) 859-3283

Sales Service

Rentals Repairs



'83 JD 655 Rebuilt Hydros **\$22,000**



'94 Daewoo Mega 200, 1900 Hrs. **\$30,000**



'86 Cat 953 60% UC **\$37,000**



'98 JD 544H 1610 Hrs. J.R.B Coupler **\$80,000**

All Machines Listed For Sale Are Also For Rent

Financing Available

Road Service Available Now
Custom Repairs On All Makes Construction Equipment

WE ARE BUYERS FOR LATE MODEL CONSTRUCTION EQUIPMENT NEEDING REPAIRS

Case 455C crawler loader w/ripper.....\$16,000	JD 450C with 6-way blade.....\$13,500
'89 Case 580K cab, E-Hoe, 4x4.....\$18,000	'95 JD 450G w/6-way blade.....\$33,500
Case 1840, foot controls.....\$8,000	'89 JD 455G crawler loader, cleaned & painted.....\$24,000
Case 1845C.....\$9,500	'84 JD 510B, backhoe standard hoe.....\$12,000
'93 Case 9020 excavator.....\$35,000	JD 544B loader.....\$19,000
'95 Cat IT28F w/bucket & forks.....\$58,000	'98 JD 544H wheel loader w/JRB coupler.....\$80,000
'87 Cat D4H 6-way, choice of 3.....\$30,000	'89 JD 555G, excellent.....Choice of (2) \$28,000
'93 Cat 312 excavator.....\$32,000	JD 644B wheel loader.....Choice of (2) \$20,000
'86 Cat 953 crawler loader, cleaned & painted.....\$37,000	'94 JD 644G.....\$55,000
Cat 955L crawler loader, new U/C.....\$24,000	NH 785 skid loader, rebuilt motor, new paint.....\$10,500
Cat 955H crawler loader, Pedal Steer.....\$9,500	'89 Dreser 250E, Crawler Loader, 4N1 Bkt.....\$16,000
'90 Cat 963 crawler loader, OROPS, good cond.....\$48,000	Dresser 175C crawler loader.....\$11,500
'95 Cat 939, good cond.....\$38,000	Assortment of thumbs for excavators, starting at.....\$1,000
'94 Cat 963.....\$65,000	Available: Rebuilt exchange motor for Cat 953.....\$5,000/Exchange