



Phila. Fruit

PHILADELPHIA Terminal
February 7, 2001
Report Supplied By USDA
CITRUS FRUITS - CLEMENTINES:
MARKET STEADY 2.3 kg crts SP 24s
5.00-5.50 fr cond 3.50 poor cond .50-1.00
28s fr cond 3.50 poor cond .50-1.00 32s
5.00-5.50 36s fr cond 3.50 poor cond .50-
1.00 -GRAPEFRUIT: MARKET
STEADY 4/5 buctns FL U.S. One Indian
River Red 23s 12.00 27s 11.50-12.00 32s
10.00 36s 9.00 40s 8.50 48s 8.00 -
LEMONS: MARKET STEADY ctns AZ
Shprs 1st Grade 115s 18.50 140s 15.50
165s 16.00 Shprs Choice 95s 12.50-13.00
115s 12.50-13.00 140s 13.00 165s 12.00-
13.50 -LIMES: MARKET SLIGHTLY
HIGHER 10 lb ctns FL 48s 6.00 MX 42s
7.50 48s 7.00-7.50 some 5.00 54s 7.00-
7.50 63s 7.50 40 lb ctns MX 150s 20.00 -
MISC CITRUS: NO SALES
REPORTED -ORANGES: MARKET
STEADY ctns CA Shprs 1st Grade
Navel 56s 14.00 72s 13.00 88s 13.00
Shprs Choice Navel 56s 12.00 72s 12.00
88s 12.00 113s 12.00 4/5 buctns FL Navel
48s 9.00 56s 9.00 64s 8.00 80s 9.00 Pine-
apple 100s 8.50 -TANGELOS: NO
SALES REPORTED -TANGERINES:
MARKET STEADY 4/5 buctns FL
Honey 100s 18.00 Sunburst 120s 13.00 -
TEMPLES: NO SALES REPORTED

BERRIES -BLUEBERRIES:
MARKET ABOUT STEADY flts 12 6-
oz cups with lids CL med 15.00-16.00
mostly 16.00 -CRANBERRIES:
OFFERINGS INSUFFICIENT TO
QUOTE -MISC BERRIES: MARKET
ABOUT STEADY flts 12 1/2-pt bkts with
lids CL Blackberries 16.00-18.00 GU
Blackberries 16.00 -RASPBERRIES:
MARKET LOWER flts 12 6-oz cups
with lids CL Red 15.00-18.00 mostly
15.00-16.00 -STRAWBERRIES:
MARKET ABOUT STEADY flts 12 1-
pt bkts CA med-lge 17.00-18.00 mostly
18.00 FL med-lge 11.00-13.00 mostly
11.00-12.00

MELONS -CANTALOUPS:
MARKET SLIGHTLY HIGHER 1/2 ctns
CR 12s 8.00-9.00 mostly 8.00 15s 8.00-
9.00 mostly 8.00 GU 12s 10.00-12.00
mostly 10.00 fr cond 7.00 15s 9.00-12.00
HD 12s 10.00 fr cond 7.00 15s 9.00 -
HONEYDEWS: MARKET HIGHER 3/4
ctns GU 5s 10.00 6s 10.00-12.00 8s 11.00-
12.00 -MISC MELONS: OFFERINGS
INSUFFICIENT TO QUOTE -
WATERMELONS: OFFERINGS
LIGHT ctns per ctn CR Red Flesh Seed-
less Type 6s 15.00-18.00

NON-CITRUS FRUITS -APPLES:
MARKET STEADY ctns trypk WA
W AExFcy Fuji 48s 14.00 Gala 88s 17.00
ctns 12 3-lb filmbags PA U.S. ExFcy Red
Delicious 2 1/2" min 8.50-9.00 U.S. Fcy

Red Delicious 2 1/2" min 8.00-8.50 ctns
try/celpk NY U.S. One Red Delicious
125s 9.00 CONTROLLED ATMOS-
PHERE STORAGE ctns trypk WA
W AExFcy Red Delicious 64s one label
18.00 80s 15.00 one label 18.00 88s 15.00
one label 18.00 100s 15.00 113s 15.00
125s 15.00 -APRICOTS: OFFERINGS
NONE -AVOCADOS: ctns 2 lyr MX
Hass 48s few 32.00 -BANANAS:
MARKET STEADY 40 lb ctns IMPORT
12.00 fair qual 10.00-11.00 mos 11.00
sml 8.00-9.00 petite 13.00 40 lb ctns
bagged IMPORT 12.00 -CHERRIES:
OFFERINGS INSUFFICIENT TO
QUOTE -FRUITS OTHER: NO SALES
REPORTED -GRAPES: MARKET
STEADY 18 lb lugs bgd AG BOAT
Flame Seedless med 10.00-12.00 White
Seedless Type med ord cond 7.00 CL
BOAT Thompson Seedless edlge 14.00
lge 11.00-12.00 fr cond 8.00-10.00 med
9.00-10.00 fr cond 6.00-8.00 ord cond
2.00-3.00 sml fr cond 5.00-6.00 Flame
Seedless lge 14.00 med-lge 11.00-12.00
mostly 12.00 some 10.00 med 9.00-10.00
sml 8.00-10.00 White Seedless Type
med-lge ord cond 2.00-3.00 Black Seed-
less med-lge 12.00-14.00 mostly 14.00
med 8.00-10.00 Red Globe lge 15.00-
16.00 16 lb ctns wrpd CL BOAT Black
Seedless lge 15.00-16.00 -KIWIFRUIT:
flts 1 lyr GR Hayward 25s fr cond 4.00
39s 6.00 ctns lse GR Hayward 27 sz
10.00 36 sz 10.00 -MANGOES:
MARKET LOWER ctns 1 lyr PE Haden
8s 6.00-7.00 9s 6.00-7.00 10s 6.00 Kent 8s
6.00 9s 6.00 10s 6.00 -NECTARINES:
ctns 2 lyr trypk CL BOAT Ruby Dia-
mond 52s fr cond 6.00-8.00 -PAPAYA:
10 lb ctns HI Red Flesh 9s few 13.00-

14.00 10s few 13.00-14.00 -PEACHES:
OFFERINGS INSUFFICIENT TO
QUOTE -PEARS: MARKET STEADY
CONTROLLED ATMOSPHERE
STORAGE 4/5 buctns wrpd OR U.S.
One D'Anjou 70s 17.00 80s 17.00 90s
17.00 100s 16.00 Bosc 80s 28.00 90s 27.00
100s 25.00 WA U.S. One D'Anjou 80s
20.00 90s 20.00 -PERSIMMONS: ctns 1
lyr IS Sharon 18s 5.00-5.50 mostly 5.25-
5.50 -PINEAPPLES: MARKET
STEADY ctns 1 lyr HI AIR 6s 12.50 ctns
2 lyr CR 10s 13.00 12s 12.00-13.00
mostly 13.00 14s 12.00-13.00 mostly
13.00 HD 10s 13.00 12s 13.00 -
PLANTAINS: MARKET STEADY 50
lb ctns CB Green 15.00-15.50 Yellow
15.00-15.50 -PLUMS: ctns 2-lyr CL
BOAT Black Amber 78s fr cond 6.00
Showtime 70s poor cond 1.00 -
POMEGRANATES: OFFERINGS
NONE -PRUNES: OFFERINGS NONE

jbo 33.00 Red WA 25 lb sks jbo 11.00
Globe Type NY 25 lb sks jbo 12.00 med
7.00-10.00 some 6.00 NEW CROP White
MX 50 lb sks jbo 38.00 -POTATOES:
MARKET STADY US1 SZ A
WASHED OR BRUSHED UNLESS
OTHERWISE STATED Russet Bur-
bank ID bld 10 5-lb mshsks non sz A
8.25-8.50 50 lb ctns 40s 7.50 50s 8.00 60s
8.00 70s 8.00-9.00 mostly 8.00 80s 8.00-
9.00 mostly 8.00 90s 8.00-9.00 mostly
8.00-8.50 100s 8.00-8.50 mostly 8.00
Round Red MN/ND 50 lb sks 8.00-8.50
few 9.00 sz B 13.00 Round White ME 10
lb sks lse 1.05 PA 50 lb sks 5.00-5.50
mostly 5.00 lge 6.00

**Livestock Cooperative
Auction Market Of
North Jersey**

Hackettstown, N.J.
Report Supplied by Auction
Tuesday, Feb. 6, 2001
CALVES .20-2.40.
COWS .22 1/2-.50.
EASY COWS 20-35.
FEEDERS 300-600 LBS. .43-.89.
HEIFERS 48-.66 1/2.
BULLS .52 1/2-.66.
STEERS .55-.70 1/2.
HOGS, NONE.
ROASTING PIGS EA., NONE.
SOWS, NONE.
SHEEP .15-.79.
LAMBS EA. 45.00.
LAMBS PER LB. .72 1/2-1.39.
GOATS EA. 23.00-155.00.
KIDS EA. 15.00-87.50.
HIDES EACH 21.00-39.00 EA.
EMUS 5.00.
TOTAL: 398 HEAD.

**Phila. Onion,
Potato**

PHILADELPHIA Terminal
February 7, 2001
Report Supplied By USDA
ONIONS AND POTATOES -
ONIONS DRY: MARKET MX
LOWER, OTHERS ABOUT STEADY.
US1 OR GENERALLY GOOD QUAL
AND COND UNLESS OTHERWISE
STATED. Yellow Globe Type MI 50 lb
sks sml-med 5.50-6.00 NY 50 lb sks med
7.00-8.00 Spanish Hybrid CO 50 lb sks
jbo 10.50-11.50 mostly 11.00 ID/OR 50 lb
sks col 12.00 jbo 10.00-12.00 mostly
10.00-11.50 UT 50 lb sks jbo 10.50-12.00
mostly 11.00 WA 50 lb sks jbo 10.00-
11.50 mostly 11.00 Sweets PE 40 lb ctns

McElwee's Livestock

Home of Shippensburg Cownet
3 Locations To Serve You

Newburg

Mon. 9-4, Thurs. 9-2
(717) 423-6869

Woodsboro, MD

Tues. 10-2
(301) 845-6232

Chambersburg

Wed. 9-3
(717) 267-3321



Receiving All Cows, Bulls, Steers, Calves
Call For Daily Price Quotes

**ROASTED CORN
IS PROFITABLE**



- ~ Earlier Harvest - Roasting and drying are done simultaneously.
- ~ Higher Digestibility - 10% more available energy.
- ~ Purer Feed - Removes molds and reduces toxins.
- ~ Drier Total Ration - Better Rumen Health.
- ~ Greater Profits - Advance two to eight lb. per cow in milk with improved fat and protein.

SCHNUPP'S GRAIN ROASTING, INC.

416 Union Rd., Lebanon, PA 17046
(717) 865-6611 800-452-4004

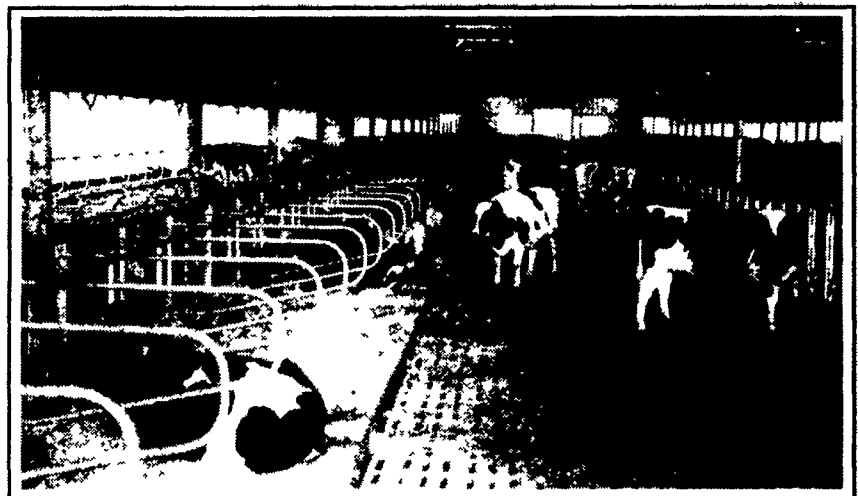
David N. Groff
RD 3, Lewisburg, PA(570) 568-1420



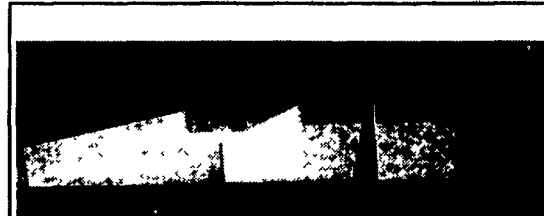
477 East Pennsylvania Rd
Lewisburg, PA 17033



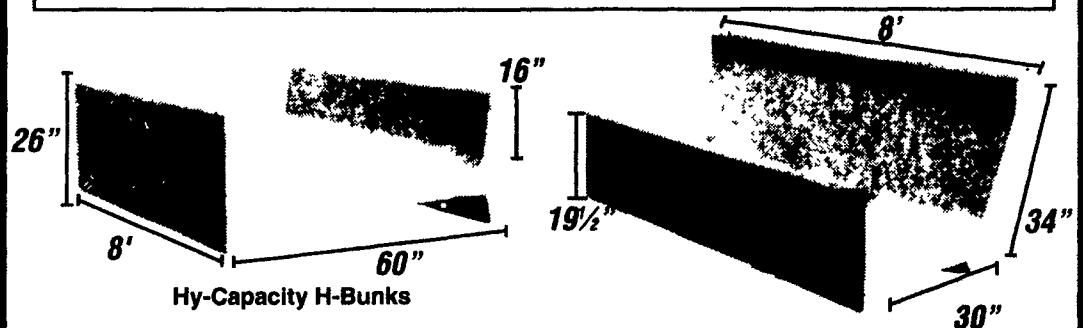
Concrete Slatted Free Stall Barn



Long Core Cattle Waffle Slats



Precast Concrete T-Wall
Bunker Silos or commodity
buildings built to suit your
needs. Bunkers available
in 8 Ft. or 12 Ft. High



End Sections Available For Feed Bunks

Slant Back J-Bunks

Give us a call for more information on hog, beef, dairy and heifer barns.