

1 FARM EQUIPMENT

Farmall MD, \$1800; Dunham Lehr 10' cuffmulcher, \$1475; NH 258 hay rake, \$1650. 610-562-4464.

JD 4450 MFWD, 42" rubber w/duals, used on our farms, runs & looks exc. Was \$34,500, now \$32,800. Super Value. Zeisloff Eq. 800-919-3322.

(2) 14.9x28 ag tires, 16.9x24 backhoe tire, 21x16.1 spreader tire, (2) 15 x 24 wheels. 717-733-4516.

1840 case skid loader Cummins diesel 4150 hrs., good cond. \$7,900. JD 9705 backhoe atch. for crawler \$1,800. 717-859-3456.

FORKS: 50 pairs of forks, all sizes. \$200/UP per pair. 410-574-4700

Kubota B21 w/735 hrs, Danuser auger attach. w/3 bits. Asking \$16,500. 215-295-8748, 215-794-9650.

JD 7200 tractor, power quad, open station, rice, \$25,500. 301-733-2195.

NH bale wagons, all models, delivery available. 1-877-735-2108 406-883-2118 for FREE brochure. Farm Equipment Finding Service, Poisson, MT 59860

NH 1411 discbine, 3 1/2 yrs old, very nice, \$9800. 717/949-3661.

MF 3525, new rear tires, ex cond, \$15,000. 717-776-4737

Low boy Cub w/fast hitch, front blade, 1B plow & 6' pull type finish mower w/engine, \$2700. 20.8-38 T-rail 8 ply duals, \$485. 717-534-1253

Case IH 900 Cyclo 6RN Planter, Lq Fert, New No-Till Coulters, Top & Pump. 410-479-0331

FARM MACHINERY -- DISPERSAL -- Oliver 18' Hyd Wing Disc; Oliver 12' Hyd Cuffpacker; Int 6 Bot. Plow Hyd; Int Harvester 37 Baler Best offer or trade for Hay. PH 215-598-3951 Lv Msg FAX 215-598-3746 BEEPER 215-577-0893

JD 7410 tractor, cab, 4x4, power quad, sharp, \$44,500. 301-733-2195.

4840 JD tractor w/140 hrs since complete overhaul, new injector pump & turbo charger, \$20,000. 302-398-8754.

JD 343 3RN Corn Head \$2850 570-836-5853

JD 4020 w/loader, \$9500. 410-516-8766 days 410-346-6327 eves

FOR SALE: Small farm equipment, plows, packers, discs, harrows, mowers, crimpers, tedders, rakes, etc. Trade-ins welcomed. NH mowers, rebuilt and guaranteed, engines, hydraulics, crimper hookups available. KIRKWOOD REPAIR, 550 Coopers Dr., Kirkwood, PA 17536. 717-529-3299 8AM-8:30AM.

R62 Gleaner combine, Silver series, 4WD, 10 hrs. 724-254-4753.

Gehl 135 Grinder/Mixer w/Auger Ext. w/Model 210 J-Star Scales. V. G. Cond., Hammers on Last Side, Make Offer. (814)766-3591/766-2246

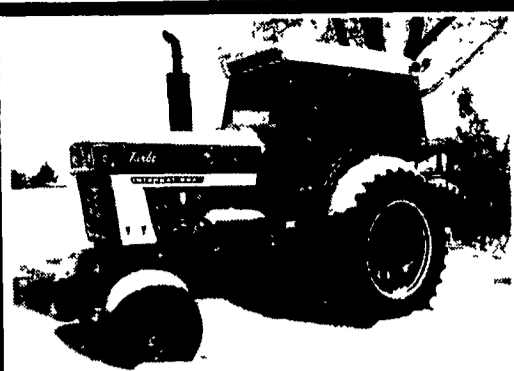
MF 1100, new paint, engine overhauled, multi power like new, 50 miles free hauling. \$9000 OBO. 610/682-2130.

1997 Bobcat 751 skid loader, aux. hyd., Kubota dsl, like new tires, 852 hrs, \$9700. 717-859-3501.

1974 Mack, engine recently rebuilt, with 1982, 3500 gallon Coleman vacuum tank and utility pump. Looks rough, runs great, (make a good liquid manure spreader). Asking \$8,000. 800-631-9366.

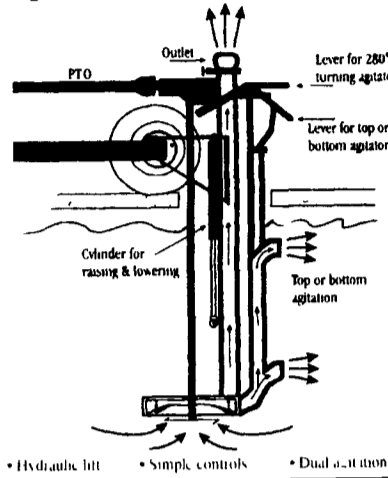
Ford 3000 tractor, \$2500 as is. 410-734-6925 Harford Co, MD.

Farmall Super C, good cond, VG tires, rebuilt motor, \$1,450. Call 301-371-9346.



IH 1066 Cab & Air, Sharp, Tires 70% \$10,900

Liquid Manure Pit Pumps



Hydraulic lift • Simple controls • Dual agitation

MILLER'S REPAIR
1 Mile North of Bird in Hand
8 Miles East of Lancaster
Ph. 717-656-6109

VALLEY AG & TURF
Halifax, PA 17032
Phone: 717-362-3132
1-800-362-3132

NEW EQUIPMENT IN STOCK

9650 STS Combine 1750 6R Corn Planters
1560 No-Till Drill 450 Drill

CLEARANCE SPECIALS

- IH 1466, 38" Duals, Clean.....\$10,500
- Bobcat 642 Skid Loader, Gas, 3100 Hrs.....\$5,700
- JD 4100 4WD, Hydro, Turf Tires, Mid PTO, 115 Hrs. 410 Loader, Factory Warranty.....\$12,500
- JD 4010, Year Round Cab.....\$6,250
- JD 2030 w/146 Loader.....\$13,000
- JD 4840, Cab, 42" Rubber, Very Clean.....\$26,000

USED GARDEN TRACTORS

- JD 445 w/54" Mower.....\$7,500
- Wheelhorse Mod. 269H.....\$1,975
- JD LX176 w/38" Mower.....\$2,700
- JD 170 w/38" Mower.....\$1,995
- Kwik Way Loader for JD 400 Series Garden Tractor, New Condition.....\$2,300

USED COMBINE HEADS

- JD 915 Flex Head.....\$4,000
- JD 444 Corn Head.....\$1,000
- JD 213 Flex Head.....\$1,000
- JD 213 Round Head.....\$2,800
- JD 444 Corn Head.....\$1,000

USED COMBINES

- JD 7220 Titan II Straw Chopper 4800 Hrs.....\$45,000
- JD 4425 Combine.....\$18,000
- JD 4400 Dsl Rotary Screen Header/Head 3400 Hrs.....\$5,500
- JD 9400 Combine w/Green Star Yield Monitor.....\$8,600

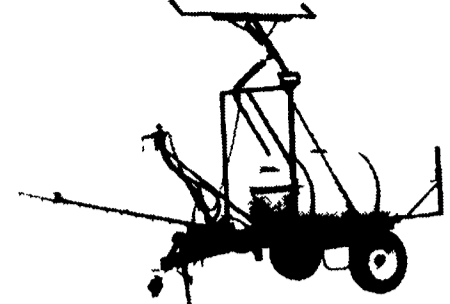
WINTER CLEARANCE SALE

- Westendorf Loader, fits JD 4020, Good Condition, QT Bucket.....\$3,900
- H&S Model 3302 600 Bu. Spreader w/Lid.....\$15,000
- JD 13' 315 Disc.....\$3,800
- JD 494 Corn Planter.....\$650
- Ford 7210 Loader, Joy Stick, 2 Buckets.....\$5,500
- JD 450 Spreader.....\$3,500
- JD 8300 21x7 Drill.....\$5,200
- JD 8250 10' Drill.....\$2,975
- (2) JD 653A Row Crop Heads.....\$2,000/pair

USED HAY EQUIPMENT

- JD 930 MoCo.....Coming In
- JD 1219 Mower Conditioner.....\$2,500
- NH 411 Discbine.....\$5,200
- JD 3970 w/Hay PU.....\$12,500
- NH 499 Hydra Swing.....\$5,800
- JD 1600 12' Hydra Swing Mower Conditioner w/New Roll.....Reduced \$7,200

At Last...



...a Boom Sprayer

for multi-crop produce farmer that is affordable and will do the job from sweet corn to melon crops.

With features like...

- 24 ft one-side boom that allows for 50 ft. coverage between drive rows.
- Easy boom height adjustment from 2 ft. to 7 1/2 ft. for sweet corn.
- Hydraulic leveling on the go allows uniform boom height from the crop.
- 280 PSI, 28 GPM 3 diaphragm pump with power shaft for quick hookup.
- Adjustable wheel spacing and tongue height.
- NEW A-spring loaded hydraulic shock to control boom bounce.

Available with 300 or 400 Gallon Tanks

With the high cost of chemicals, the right sprayer is needed
Order Early - Supply Limited

PENNS CREEK WELDING & MFG.

(570) 837-1197
(888) 837-1197

COVE TRACTOR INC.

Quality Pre-Owned Tractors and Equipment
5243 Churchview Rd., New Enterprise, PA 16664

Phone: (814) 766-2102
Fax: (814) 766-0149

TAX SAVING SPECIALS

- JD 4450 2WD Sound Guard Powershift, 3700 Orig. Hrs.
 - JD 2955, 2500 Orig. Hrs., 4 Post & Roof, 18.4-38
 - MF 298 12 Sp., 2000 Orig. Hrs.
 - IH 986, 3500 Hrs., New Clutch & TA
- All these tractors in excellent cond. Priced to sell

TRACTORS

- IH 986, 78 model, 3800 Hrs., Very Nice
- MF 175 Dsl. w/Allied Loader - Good Cond.
- Gehl 4625 Skid Ldr., 1100 Hrs., '96 Model
- MF 165 6 Spd. Dsl., Excellent
- MF 50 Dsl. w/MF Ind. Loader, Very Good
- FERGUSON 30, gas
- MF 135 4 cyl., gas w/Turf Tires
- MF 520 12' Disc
- JD 4450 Cab & Air, Powershift, Low Hrs.
- JD 2955, 4 Post, Hi-Lo, Low Hrs.
- MF 1085 Late MDL Cab
- MF 135 Dsl.

ROUND BALERS

- NH 770 Forage Harvester, 2RN Corn Head & Pickup, Remote Controls, Nice Machine

COMING IN:

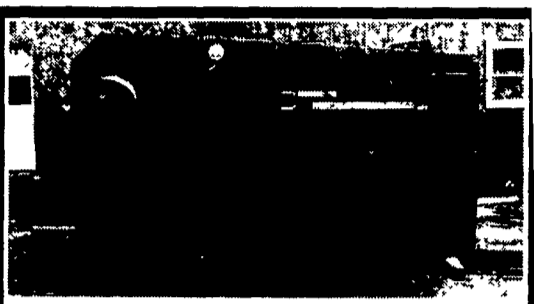
- MF 390 4x4 w/MF 836 Ldr., Excellent Cond.
- MF 294 MF 236 Ldr., 4x4, Very Nice
- MF 175 Dsl. 8 Sp., Late Model
- MF 274 4x4 w/SOLD Ldr, Excellent
- White 2-85 3100 Hrs., Cab, Ex. Cond.
- Long 900 Tractor, Good Cond., Local Trade
- Used Gravity Bed Wagons (3)
- Ford 4610 4x4 86 Model w/Loader 2400 Hrs Excellent - In Stock
- Gehl 3410 Skid Ldr 1000 Hrs DSL 3 Buckets, Very Nice - In Stock
- Ford 3000 DSL w/Ford Loader, Late Model, Excellent - In Stock
- Oliver 1265 4x4 w/Loader, Very Nice

Winter Special



KVERNELAND WRAPPER
List \$12,000 Demo Units \$8,700

McConnellsburg Motors
875 Lincoln Hwy. East, Box 677
McConnellsburg PA 17233
(717) 485-3181



USED 190 RISSLER MIXER

Rebuilt 3 Years Ago: Front Panel, Augers, Stainless Steel Chain. With Beam Scales. Real Good Condition. One Owner

LAPP'S BARN EQUIPMENT

5935 OLD PHILADELPHIA PIKE, GAP, PA 17527
PHONE: 717-442-8134
WE SERVICE WHAT WE SELL
Radio Dispatched Trucks
Call or Write For FREE Catalog

JOHN DEERE

TRACTORS

- JD 7810, MFWD, power shift, 2100 hrs... \$67,000
- JD 7810 MFWD, power shift, 3048 hrs... \$63,020
- JD 7410 MFWD, power w/quad, 606 hrs... \$57,000
- JD 4240 cab, power shift... \$16,500
- JD 2955 4-post roll guard... \$18,000
- JD 770 4 WD 60" Mid-Mount Mower, 70 Ldr... \$13,900

TILLAGE EQUIPMENT

- Brillion 24' X-fold roller... \$6,750
- Brillion 12' roller harrow... \$2,250
- JD 2b, 3 pth plow... \$750
- JD 2500 5b spring reset plow... \$3,000
- JD 1600 14' chisel plow, 3 pt. hitch... \$2,500

COMBINES

- JD 9600 2WD, 1997, Contour Master... CALL
- JD 9550 2WD, 2000, Contour Master, 500 hrs... CALL
- Case IH 2388, 4WD, Field Tracker, AFS, 8R corn head, 30' flex head... CALL
- JD 6620 2WD, 1980, Reconditioned... \$20,000
- JD 224 flex head... \$1,500
- JD 343 corn head w/adaptor plate... \$3,500
- JD 643 Lo-Tin, Oil Bath, Corn Head... \$10,000

FORAGE EQUIPMENT

- JD 35 chopper w/1R head... \$500
- NH 790 chopper w/5' grass head & 2R corn head... \$8,500
- JD 3970 chopper... \$12,500
- JD 3940 forage chopper... \$2,250
- JD 2RW row crop head... \$1,650
- JD 3R row crop head, as is... \$3,500
- JD 3R row crop head for parts... \$1,000

CORN/SOYBEAN PLANTERS

- JD 7000 6RN planter, dry, fert., unit coulters, as is... \$3,750
- JD 7000 6RN planter, liquid fert., frame coulters, as is... \$4,500
- JD 7000 6RN planter, dry fert., frame coulters, as is... \$4,500
- JD 7000 6RN planter, frame coulters... \$4,500
- JD 7200 6RN dry fert., insecticide... \$8,500
- JD 7200 6R liq fert., vacuum insect, like new, planted only 400 acres... \$14,500
- JD 7240 11 Row Planter, Liquid Fert... \$19,000
- JD 7240 11R corn & soybean planter, dry fert... \$23,500
- JD 7240 11R, dry fert... \$15,000

GRAIN DRILLS

- JD 8200 11' DD grain drill w/grass... \$2,250
- JD 8300 11' DD, grain drill w/grass... \$1,750
- JD 1560 10' no-till drill w/grass... \$14,000
- JD 750 10' no-till drill w/grass... \$15,000
- JD 750, 15' no-till grain drill... \$15,000
- Lilliston no-till grain drill... \$5,750
- Brillion 5' 3pth seeder... \$1,900

HAY EQUIPMENT

- JD 336 square baler w/30 ejector... \$3,750
- JD 535 round baler w/net wrap... \$15,000
- JD #50 sickle bar mower... \$800

SKID STEER LOADERS

- JD 575 w/2 bkts... \$5,500
- NH L555... \$8,000

MISCELLANEOUS

- NI 48' 3 elevator... \$1,250
- JD 709 rotary cutter... \$2,500
- Woods 208 8' rotary cutter... \$1,980
- JD 1518 15' Batwing rotary cutter... \$7,500

GLADHILL TRACTOR MART, INC.
900 East Patrick St.
P. O. Box 777
Frederick, Maryland 21701
(301) 663-6060 1-800-245-0691
Clark Bryan