

(Continued from Page A36)

DENNIS L MARTIN	STEVENS	68	23372	793	697
THOMAS C LAPP	GAP	58	22860	862	697
JEFFREY L AUNGST	ELIZABETHTOWN	43	22504	865	696
GLEN N HURSH	EPHRATA	68	22686	847	696
EZRA Z HORST	QUARRYVILLE	113	22862	822	696
STEVIE G KING	LANCASTER	41	23256	850	696
SHELMAR ACRES	MOUNT JOY	105	22356	864	695
HERSHEY BROTHERS DAIRY	MANHEIM	205	23412	881	694
VERNON W HEISEY	MANHEIM	29	22289	803	694
DAVID IRA STOLTZFUS	GAP	42	22092	795	693
PHILIP HORST	EPHRATA	42	21994	800	693
JOHN & VELMA WENGER	LEOLA	39	21538	803	691
NORMAN S WENGER JR	NEW HOLLAND	45	21879	743	691
STEPHEN S KING	LANCASTER	52	22243	881	691
PAUL S SAUDER	LANCASTER	95	21778	800	690
FAHNESTOCK FARMS	MANHEIM	131	22489	853	690
DAVID & DARYL MARTIN	EPHRATA	95	22152	834	690
SUNNY ACRES L	EPHRATA	52	23121	850	688
NICE VIEW FARM	EPHRATA	52	21738	817	687
JOHN K. BEILER	HOLTWOOD	44	22566	778	686
EMANUEL S ESH	PARADISE	46	22632	816	685
PAUL B ZIMMERMAN JR.	EPHRATA	54	21303	863	684
DANIEL R LANTZ	PARADISE	35	22773	829	684
WASIDE FARM	LANCASTER	74	22485	818	683
JERE L RUTT	ELIZABETHTOWN	130	22002	834	682
BRIAN & HEIDI WALKER	LANCASTER	97	22706	826	682
RODNEY DENLINGER	GORDONVILLE	61	22331	852	681
WEAVER HOMSTEAD FARM	NEW HOLLAND	131	21987	817	681
DAVID M. FOX	EPHRATA	37	22768	751	679
ANDREW G MILLER	MANHEIM	79	22085	864	678
DEAN L GROFF	KINZERS	122	21917	793	678
RICHARD N SAUDER	REINHOLDS	40	21749	826	678
AMOS S. LAPP	LEOLA	37	22429	820	678
MAPLEHOFE FARMS INC	QUARRYVILLE	93	21322	751	677
FLOWING SPRING FARM	DRUMORE	53	22555	774	677
BREEZY VIEW JERSEYS	LANCASTER	48	18895	863	677
MAPLEBRINK FARM	MANHEIM	84	22530	829	675
TIMOTHY KURTZ	ELVERSON	114	22008	813	675
MARLIN R BEILER	PARADISE	24	22222	795	675

LEBANON COUNTY					
HAMMERCREEK HOLSTEINS	NEWMANSTOWN	87	28873	1041	801
CURVE ACRES FARM	NEWMANSTOWN	112	27423	967	808
MEADOW WOOD FARM	LEBANON	414	23394	874	740
LOUIS E MARTIN	MYERSTOWN	75	24261	883	728
FERNDALE FARMS	LEBANON	75	22835	754	713
R BRYAN BALMER	LEBANON	81	23778	889	713
WHITE BIRCH FARM	MYERSTOWN	81	23588	818	707
THOMAS+SHIRLEY KRALL	LEBANON	98	22420	872	706
ARLIN W HIGH	LEBANON	64	22893	806	702
WILMER H LEHMAN	LEBANON	55	22307	829	688
ADAM & LISA SONNEN	RICHLAND	68	21476	816	679
MIFFLIN COUNTY					
ERVIN T HOSTETLER	BELLEVILLE	85	26660	883	834
JOHN K KAUFFMAN	REEDSVILLE	122	25530	918	798
LA FAY FARM	LEWISTOWN	46	24998	880	774
SAMUEL R BYLER JR	REEDSVILLE	47	24163	933	771
IVAN T. PEACHEY	BELLEVILLE	58	24936	817	754
RODERICK KAUFFMAN	REEDSVILLE	66	23503	841	737
NORTHUMBERLAND					
CLAYTON H SWARTZ	MILTON	27	21773	787	684
SNYDER COUNTY					
TIM-LAURIEHACKENBERG	MIDDLEBURG	52	21677	860	705
SOMERSET COUNTY					
RICO SIDONE	BOSWELL	24	28428	1083	891
NORTH VIEW FARM	BERLIN	148	26178	933	838
GARY LYNCH	FRIEDENS	216	27112	905	824
CARRDALE HOLSTEINS	SOMERSET	95	24415	986	755
DAVID C STAHL	SOMERSET	74	24167	964	748
GRANDVIEW FARM	HYNDMAN	100	23134	871	740

(Turn to Page A39)

HEAVY DUTY FIBERGLASS GATES

Gate Prices

8' - \$63
10' - \$70
12' - \$78
14' - \$97

Contact Your Nearest Dealer:


Paul B. Zimmerman, Inc - 50 Woodcorner Rd Ephrata, PA 717-738-7350
 John A. Zook - Rt 30, Gap, PA
 Zook's Farm Store - Honey Brook, PA
 Gideon K. King - Elam Road Kinzer PA
 D.J Farm Store - Hess Road Quarryville PA
 Zimmerman Farm Service - Bathel, PA 717-933-4114
 Huber's Animal Health - Myerstown, PA 717-866-2246
 Umbergers of Fontana - Rt 322, Annville PA 717-867-5161
 Pleasant Valley Store, Sprout Rd, Kirkwood, PA
 David S. King - Railroad St., Myerstown, PA 717-866-6556
 Rovendale Ag - Watsontown, PA 570-538-9564

TimberLeads

"Money DOES Grow on Trees"

Not sure who to call first about your standing timber? One FREE call to TimberLeads connects you to timber buyers in Central PA. Our service can help you receive a competitive price for the standing timber on your land. Landowners, call TimberLeads today!

1-877-386-7595
 www.timberleads.com
 McAlisterville, PA



Let Your Crops Dine On Alpine

The Company That Offers You High Quality Plant Food At Competitive Prices Dealer Inquiries Welcome

Talk To Us About Seed Banded Plant Food And Foliar Feeding Place Phosphorus Where It Does Most Good (Seed Banded)

6-24-6 9-18-9 3-18-18 5-15-15
 Check Early Order & Quantity Price

Zimmerman Lime & Fertilizer, Inc.
 (717) 733-7674
 235 W Burkholder Dr Lititz, PA 17543

Dealer of Raven Liquid Storage Tanks

Out standing in your field.



The Agri-specialists from Farmers First aren't a bunch of deskbound bankers waiting around for the phone to ring. We get involved with you. Right where you live and work. We lend the money farmers need to keep growing. And, we can help your business in a lot of other ways, too. We talk the talk. And we walk the walk (wherever that might lead us).


 ANDY TERRELL
 (717) 626-4735
 EXT 6264


 RON ERB
 (717) 786-7337


 JAY HERSHEY
 (717) 768-8256

The Agri-specialists

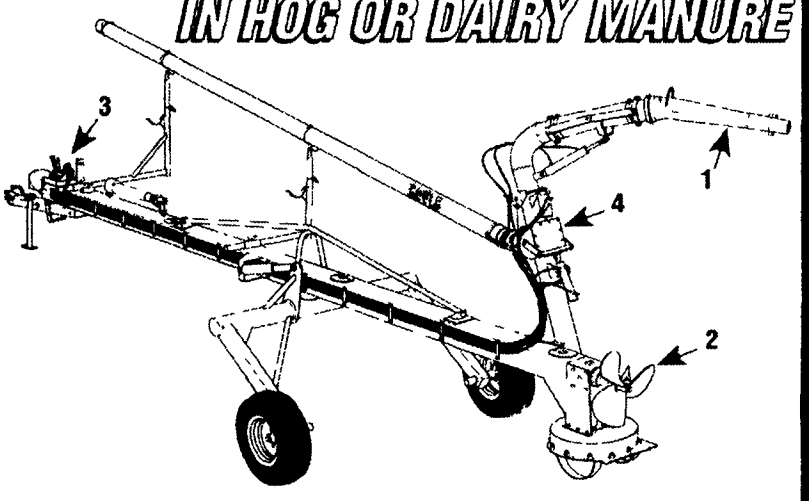
FARMERS FIRST BANK

A SUSQUEHANNA BANC Member FDIC

TRAIL AGI-POMPE®

32' AND 42' FOR LAGOONS


GREAT PERFORMANCE IN HOG OR DAIRY MANURE



- 1- Highly articulated nozzle designed to slice and break the top crust from above the manure level as the propeller homogenises the liquid with the remaining floating chunks
- 2- 24" dia. mixing propeller providing full time agitation up to 21,500 US G.P.M. even when loading a spreader.
- 3- Hydraulic controls can be operated from tractor seat.
- 4- Rotative directional valve designed to be operated at low R.P.M. without stopping the P.T.O.

Gear box oil bath protected by a greaseable 3 seals mechanism on each shaft.

AVAILABLE WITH MULTIPURPOSE OPTION TO ALSO CLIMB INTO CONCRETE PITS UP TO 14' DEEP.


 Quarryville, PA
 717-529-2782
 800-222-2948

MID-ATLANTIC
agrisystems