

Phila. Onion, Potato

PHILADELPHIA Terminal
November 7, 2000

Report Supplied By USDA

ONIONS AND POTATOES - ONIONS DRY: MARKET ABOUT STEADY US1 OR GENERALLY GOOD QUAL AND COND UNLESS OTHERWISE STATED. Yellow Globe Type CD 50 lb sks med-lge 7.00-7.50 NY 50 lb sks med 6.00-8.00 mostly 7.00 some 5.50 Spanish Hybrid IDR 50 lb sks jbo 8.50-9.00 mostly 9.00 some 9.50 UT 50 lb sks jbo 8.50-9.00 mostly 9.00 Red Globe Type NY 25 lb sks jbo 6.50-8.00 med 5.50-6.00 -POTATOES: MARKET STEADY US1 SZ A WASHED OR BRUSHED UNLESS OTHERWISE STATED Russet Burbank ID bld 10 5-lb mshsks non sz A 8.25-8.50 mostly 8.50 few 8.75 50 lb ctns 50s 7.50 60s 7.50 70s 7.50-9.00 mostly 8.00-8.50 80s 8.00-9.00 mostly 8.50-9.00 90s 8.00-9.00 mostly 8.50 100s 8.00-9.00 mostly 8.50-9.00 120s 8.50 Round Red CD CDOne 50 lb sks 6.50-7.00 mostly 7.00 sz B 9.50-10.00 mostly 10.00 MN D 50 lb sks 8.00-8.50 NY 50 lb sks 7.00-8.00 WI 50 lb ctns 10.00 Round White CD Prince Edward Island CDOne 50 lb sks lge 7.00 DE 50 lb sks 4.00-5.50 lge 6.00 LI 50 lb sks 5.00 lge 5.50-6.00 NJ 50 lb sks 4.50 lge 5.50.

Leola Produce

Leola, Pa

Report Supplied by Auction
Tuesday, Nov. 7, 2000

APPLES 3.00-5.00 BOX
BROCCOLI: .50-.75 HEAD, 4.00-6.00 12 CT. BOX.
CABBAGE: RED .40-.50, GREEN .20-.50 HEAD.
CAULIFLOWER: 1.00-1.80 HEAD.
EGGPLANT: 3.00-4.00 1/2 BU.
KOHLRABI: 6.00-8.00 16 CT. BOX.
LEEKs: 6.00-8.00 BOX.
PEARS: 6.00-7.00 1/2 BU.
PEAS: HULL 20.00 1/2 BU.
PEPPERS: GREEN SM. TO LRGE 8.00-11.00, RED 6.00-14.00, BOTH BU., HOT 4.00-5.00 1/2 BU.
POTATOES: WHITE 4.00-8.00 50 LBS., SWEET 4.00-6.00 1/2 BU.
PUMPKINS. NECK .40-1.00 EACH.
RADISHES: 6.00-7.00 18 CT. BOX,

WINTER 4.50-5.25.
RED BEETS: 3.00-4.00 BOX.
SPINACH: 6.00-8.00 BOX.
SQUASH: ACORN 4.00-5.00 BOX, BUTTERNUT 4.00-5.00 BOX.
TOMATOES: RED SM. TO LRGE. 7.00-20.00; PLUM 4.00-16.00 BOX; YELLOW SM TO LRGE. 10.00-17.00 25 LBS.
TURNIPS: 4.00-6.00 BAG.
ZUCCHINI: GREEN AND YELLOW 10.00-12.00 1/2 BU.
SALE DAYS TUES. AND THURS., 9 A.M.

Kutztown Produce Auction

Kutztown, Pa.

Report Supplied by Auction
Oct. 31, Nov. 2 and 4, 2000

APPLES: 2.00-7.00 1/2 BU., 7.00-11.00 BU.
BROCCOLI: .15-.50 EACH, 1.00-3.00 1/2 BU., 3.50-5.00 BU.
BRUSSEL SPROUTS: .50-1.00 STALK.
CABBAGE: .25-.75 EACH.
CAULIFLOWER: .15-1.50.
CHESTNUTS: 80-1.10 LB.
EGGS: .40-1.00 DOZ.
ONIONS: YELLOW 1.00 10 LBS., SPANISH 1.35 10 LBS.
PEARS: 3.50-6.50 1/2 BU.
POTATOES: 2.00-4.50 50 LBS.; .50-1.50 10 LBS.; SWEET 2.00-5.50 1/2 BU.
RED BEETS: 5.50 1/2 BU.
SQUASH: .75-1.50 1/2 BU., 1.00-4.50 BU.
TOMATOES: GREENHOUSE 2.00-15.00 25 LBS.
TURNIPS: .50-5.00 1/2 BU.
FLOWERS: DRIED 1.40-1.70.
SALE EVERY TUES., THURS., SAT. AT 9 A.M. HAY AND STRAW SAT. 9 A.M. SAT. CHRISTMAS TREE SALES START NOV. 14, 10 A.M.

Phila. Herb

PHILADELPHIA Terminal
Prices as of November 7, 2000

Report Supplied By USDA

MISC HERBS -ANISE: 1/2 ctns CA 18s 12.00 24s 12.00 ctns NJ 24s one label 12.00 -ARRUGULA: 4/5 bucrts bchd FL 24s 8.00-10.00 NJ 24s 7.00-8.00 -BASIL: 1 kg ctns IS 12s 13.00 crts bchd FL 15s

12.00 -CELERIC (CELERY ROOT): OFFERINGS INSUFFICIENT TO QUOTE -CHERVIL: 1 kg ctns bchd IS 12s 17.00 -CHIVES: 1 kg ctns bchd IS 12s 18.00 -CILANTRO: 4/5 bucrts bchd FL 24s 9.00 NJ 30s 9.00 few 10.00 ctns bchd OH 30s 9.00 -DILL: crts bchd NJ 24s 15.00 -DRY ESCHALLOT: NO SALES REPORTED -HORSERADISH: OFFERINGS INSUFFICIENT TO QUOTE -MARJORAM: 1 kg ctns bchd IS 12s 13.00 -MINT: ctns bchd NJ 12s 7.50-9.00 1 kg ctns bchd IS 12s 10.00 -OREGANO: 1 kg ctns bchd IS 12s 13.00 -ROSEMARY: 1 kg ctns bchd IS 12s 13.00 -SAGE: 1 kg ctns bchd IS 12s 13.00 -TARRAGON: 1 kg ctns bchd IS 12s 17.00 -THYME: 1 kg ctns bchd IS 12s 13.00 -WATERCRESS: ctns bchd FL 12s 7.00 24s 12.00.

Morrison's Cove Livestock

Martinsburg, Pa.

Report Supplied by Auction
Monday, Nov. 6, 2000

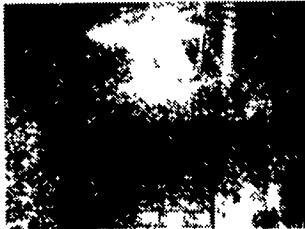
CATTLE: 126 HEAD.
STEERS: CHOICE 67.75-72.00, GOOD 64.00-66.00.
HEIFERS: CHOICE 66.75-70.25, GOOD 61.50-65.50.
COWS: UTILITY AND COMMERCIAL 36.00-42.50, CANNER AND LOW CUTTER 22.00-36.00.
BULLOCKS: GOOD & CHOICE 47.50-55.00.
BULLS: YG#1 41.50-49.00.
FEEDER CATTLE: STEERS 65.50-

80.50, BULLS 63.00-78.00, HEIFERS 58.00-74.00.

CALVES: 85. PRIME, NO MKT. TEST, CHOICE 76.00-87.00, GOOD 66.00-76.00, STANDARD 22.00-52.00; HOLSTEIN BULLS 90-130 LBS. 70.00-125.00, HOLSTEIN HEIFERS 90-130 LBS. 130.00-205.00.
HOGS: 174....US#1-2 33.00-34.50, US#1-3 30.50-32.50.
SOWS: US#1-3 22.50-36.00.
BOARS: 7.50-21.00.
FEEDER PIGS: 59. US#1-3 20-50 LBS. 9.00-16.00.
SHEEP: 22 HEAD, CHOICE LAMBS 90.00-95.00, GOOD LAMBS 85.00-90.00, SL. EWES 24.00-40.00.
GOATS: 29.00-81.00.

INSULATION

Featuring
TRI-PLY CEILINGS



Great for Shops & Ag Buildings

- Low Cost
- Sound Reduction
- Durable

Also -

Blown Ceiling Insulating Wall Insulation

Cellulose Wall Spray or Fiberglass Batts

Call for **FREE** Estimates

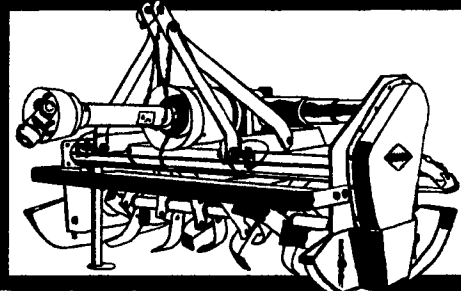
WEAVER INSULATORS

Myerstown, PA

717-866-8942 800-887-8818

Martinsburg, PA 814-793-3936

Want more than a garden variety tiller?



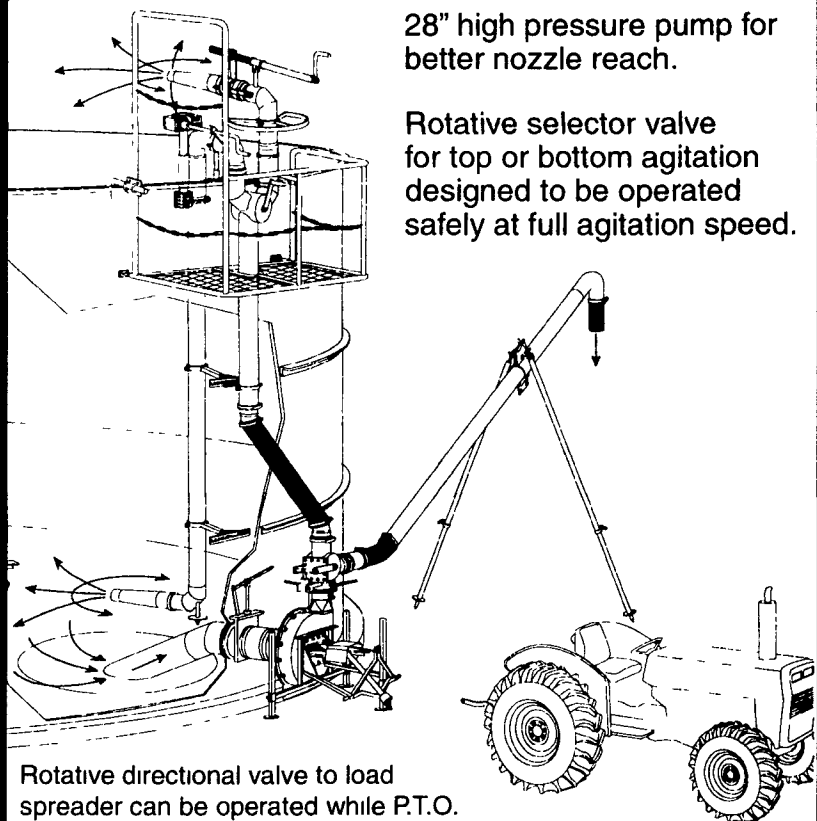
Try the Kuhn Economically-Priced EL 32 Power-Tiller.

- ◆ Three sizes to choose from. 42", 50", & 58"
- ◆ 30 HP rating (continuous)
- ◆ Easily offset up to 17'
- ◆ Kuhn offers 39 models of tillers from 30 to 200 HP.

ABC GROFF
717-838-4191
800-546-8319
110 South Railroad Ave
New Holland, PA 17557
Monday Thru Friday 7:30-6:00; Saturday 7-Noon
e-mail abcgroff@abcgroff.com

MAXI-PUMP SIDE-MOUNT

WITH TOP AND BOTTOM AGITATION NOZZLES FOR MAXIMUM EFFICIENCY



28" high pressure pump for better nozzle reach.

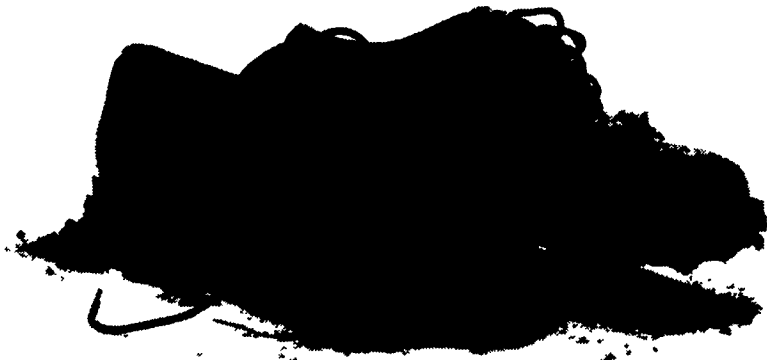
Rotative selector valve for top or bottom agitation designed to be operated safely at full agitation speed.

Rotative directional valve to load spreader can be operated while P.T.O. is at low R.P.M.: No need to shut off the P.T.O.

HOULE
Quarryville, PA
717-529-2782
800-222-2948

MID-ATLANTIC
agrisystems

Out standing in your field.



The Agri-specialists from Farmers First aren't a bunch of deskbound bankers waiting around for the phone to ring. We get involved with you. Right where you live and work. We lend the money farmers need to keep growing. And, we can help your business in a lot of other ways, too. We talk the talk. And we walk the walk (wherever that might lead us).



ANDY TERRELL
(717) 626-4735
EXT 6264



RON ERB
(717) 786-7337



JAY HERSHEY
(717) 768-8256

The Agri-specialists

FARMERS FIRST BANK

A SUSQUEHANNA BANC

Member FDIC