

World Dairy Expo Names Holstein Supreme Champion

(Continued from Page A1)

lected supreme champion of the Junior Show during World Dairy Expo. Ted and Diane Smart and Family and Amanda Curtis of Anna, Ohio exhibited her. Hollylane Renaissance sired the champion.

Reserve supreme champion of the Junior Show was Rrk Red Marker Rizz-Red, exhibited by Kevin Ryan of Fond du Lac, Wis. The animal was representing the Red and White Show.

More than 2,000 animals were on grounds for the seven dairy cattle breed shows and five breed sales during World Dairy Expo, Oct. 4-8 at the Alliant Energy Center in Madison, Wis.

Following are other stories from the World Dairy Expo.

World Dairy Expo Hosts Five Breed Sales

The 2000 World Dairy Expo hosted sales of five major international breeds, including Ayrshire, Brown Swiss, Guernsey, Jersey, and Holstein at the Alliant Energy Center.

Following is a short summary of each sale.

• **International Blue Ribbon Ayrshire Sale:** Des Chamois Frimousse was the top seller at the International Blue Ribbon Ayrshire Sale on Oct. 4. Randy Riechers of Lamont, Iowa paid \$3,100 for Frimousse. She was sired by Lagace Sony-ET and her dam is Granbyenne Ovi Frimousse. The consignor was Ferme Des Chamois, Farnham, Quebec, Canada. There were 19 lots sold, with an average sale

price of \$1,955. Buyers came from eight states. Jim McConnell and the Ayrshire Breeders Association managed the show.

• **Guernsey Classic International: Select Sires and Neon Syndicate** from Plain City, Ohio paid \$14,000 for Lang Haven Luxury Neon at the Guernsey Classic International Sale at World Dairy Expo. Neon was sired by Trotacre Jay MR Luxury-ET and consigned by Don and Kathy Langrehr. There were 26 lots sold, with an average price of \$2,576. Buyers came from 12 states and one country. The Guernsey Marketing Service managed the sale.

• **Top of the World Jersey Sale:** Avon Road Berretta Marvelle was the high seller at the Top of the World Jersey Sale Oct. 5. Spring Creek Farm of Hixton, Wis. paid \$6,500 for the

Jersey. Mason Boomer Sooner Berretta sired Marvelle. The consignor was D. L. and Hoyt Strandberg of Alma Center, Wis. The sale, managed by Jersey Marketing Service, featured 35 lots totaling \$91,250 with an average sale price at \$2,607.

• **Brown Swiss Premier Sale:** Carissa Partners of Chestertown, Md. paid \$8,500 for R Hart CB Carissa-ET at the Brown Swiss Premier Showcase Sale Oct. 6. R-Hart Farm of Wapakoneta, Ohio was the consignor. The average price was \$3,925 in the sale, which was managed by Brown Swiss Enterprises, the marketing arm of the Brown Swiss Association.

• **World Classic 2000 Sale:** Landox Syndicate from Minneapolis, Minn. paid \$82,000 for the clone of C Lauduc Broker

Mandy at the World Classic 2000 Sale Oct. 6. The Holstein was sired by Conant Acres-JY Broker-ET and consigned by Carrousel Farms of Orangeville, Ill. The sale included 45 lots, with an average sale price of \$8,724. Buyers at the sale represented 13 states and five countries. Tom Morris, Ltd. of Amery, Wis. managed the show.

Pa. Cow Tops Junior, Open Central National Guernsey Show

A 4-year-old cow exhibited by Aaron Gable of New Enterprise, Pa. was selected grand champion female of the 2000 Central National Guernsey Show at World Dairy Expo in Madison, Wis. Sherma Farms Enhancer sired the animal, Cedar Fringed Altann. Her dam is Cedar Fringed Aggie. The champion produced a 305-day record of 19,298 pounds of milk, 829 pounds of fat, and 613 pounds of protein. Altann was also named the grand champion female of the Junior Show.

A cow named Four Winds Enhancer Diamond-ET won reserve grand champion female honors and was exhibited by Clark and Joy Vilter of Hartland, Wis.

In the junior show, Sniders Darnell Hilite, exhibited by Erin Yost of Ferndale, Calif., was named the reserve grand champion junior.

Clark and Joy Vilter of Four Winds Farm in Hartland, Wis. were named premier breeder and premier exhibitor of the Central National Guernsey Show.

A total of 91 exhibitors competed in the Central National Guernsey Show.

Brabant Farms Wins 2000 National Dairy Quality Awards
Brabant Farms, Verona, N.Y.,

(Turn to Page A41)

J-STAR

YOUR ALL-IN-ONE FARMSTEAD EQUIPMENT SOURCE

Silo Unloader Technology Takes a Giant Leap Forward

BIG JIM. Quantum SYSTEM

SIMPLY THE BEST!

You know tower silos are the best way to store feed. Now Jamesway® gives you the best way to fill and feed fast, with great reliability. Plus, you get.

- Better Feed Quality
- More Feed Storage
- A Clean Chute

The all-new industrial-design Big Jim QUANTUM System can be installed in any type of 20' to 30' forage silo. . . conventional or oxygen limited. And since it requires little maintenance and has no door to change, you eliminate trips up and down the silo.

CALL US TODAY FOR A VIDEO AND BROCHURE.

The Silo Unloader Experts

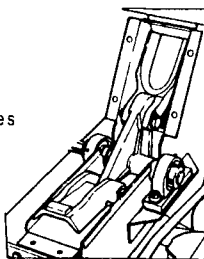


America's Best!

MAGNUM II™ SURFACE DRIVE SILO UNLOADER

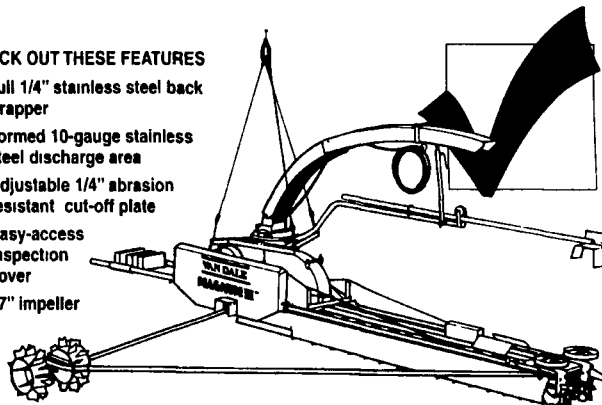
America's best selling silo unloader just got better! Van Dale's been writing the book on silo unloading technology for more than 45 years. And Van Dale invented and perfected the surface drive unloader. Now it's time to introduce the next generation. The MAGNUM II!

The new MAGNUM II features a brand new Hi-Perform™ Impeller which adds more "throw-power" than ever before. Check it out and then check in with your Van Dale Dealer



CHECK OUT THESE FEATURES

- ✓ Full 1/4" stainless steel back wrapper
- ✓ Formed 10-gauge stainless steel discharge area
- ✓ Adjustable 1/4" abrasion resistant cut-off plate
- ✓ Easy-access inspection cover
- ✓ 27" Impeller



THE VAN DALE ADVANTAGE

Contact your local dealer for details!

VAN DALE Dependability through Quality

- **CABLE ALLEY SCRAPER**
- **WASTE HANDLING EQUIPMENT** DUMPS - TANKS - TILLAGE APPLICATOR
- **FEED HANDLES** BELTS - FEEDERS - CONVEYORS

See These Dealers For Details Now...

FRANKLIN'S FARM SERVICE
Laceyville, PA 717-869-2407

HOOVER EQUIPMENT
Tyrone, PA 16686
814-684-1777

McMILLEN BROTHERS
Loysville, PA
717-789-3961
(VanDale Dealer)

ROVENDALE AG & BARN EQUIPMENT
Watsontown, PA 17777
570-538-9564
OR 570-742-4226

STAR SILOS
Myerstown, PA 17067
717-866-5708

HARRY TROOP
Cochranville, PA 19335
215-593-6731

LAPP'S BARN EQUIPMENT SALES & SERVICE
Gap, PA 17527 717-442-8134

WIGGERS FARM EQUIPMENT
Cory, PA
814-664-2661

SOLLENBERGER SILOS CORP.
Chambersburg, PA 17201
717-264-9588

MARYLAND
GLADHILL TRACTOR MART
Frederick, MD 21701
301-663-6060

HISTAND'S FARM & HOME SERVICE
Rome, PA 717-744-2371

JAMES L. HOSTETTER
McVeytown, PA 17051
717-899-6386

PRINGLES SUPPLY & EQUIPMENT INC.
Greenville, PA 16125
412-588-7950

SOMERSET BARN EQUIPMENT
Somerset, PA 15501
814-445-5555

IT'S TIME TO SOIL SAMPLE

Soil testing is essential for developing a sound fertility management program

Signup with a local Crop Management Association (CMA) and arrange to have your soils sampled this fall

CMA	Contact and Counties
Bedford/Blair	Jim Bence (814) 839-4082 Bedford, Blair, Huntingdon
Centre/Clinton	Ed Hippely (814) 422-0386 Centre, Clinton, Huntingdon, Mifflin
Clear/Jeff	Kevin Mitchell (814) 277-6508 Cambria, Clarion, Clearfield, Elk, Indiana, Jefferson
Columbia	Tracy Lewis (570) 742-1734 Columbia, Luzern, Montour, Northumberland
Delaware Valley	Greg Solt (610) 746-1970 Bucks, Lehigh, Monroe, Northampton, Pike
Mercer County	Geoff McGuire (440) 548-5392 Mercer
SulBra	Shuly Gross (570) 265-5539 ext 114 Bradford, Sullivan, Susquehanna, Wyoming
West Branch	John Flanders (866) 864-0657 Doug Messersmith (570) 753-5729 Clinton, Juniata, Lycoming, McKean, Mifflin, Northumberland, Perry, Potter, Snyder, Tioga, Union

DON'T DELAY! CALL TODAY!
Be smart. Know the soil pH and nutrient levels on your farm.