



1968 JD 4020 New Rubber, Sharp! Good Runner **\$9,250**

Collector Tractors

- AC WF (Scarce).....\$2,250
- IH 450 WF, PS, FH, New TA \$3,250
- IH W6, As Is.....\$995
- Cat D4, Runs, Good U/C.....\$1,500
- IH W9, Straight Tin.....\$1,800
- Case 300 Triple Range, New Paint.....\$3,250

MD TRACTOR

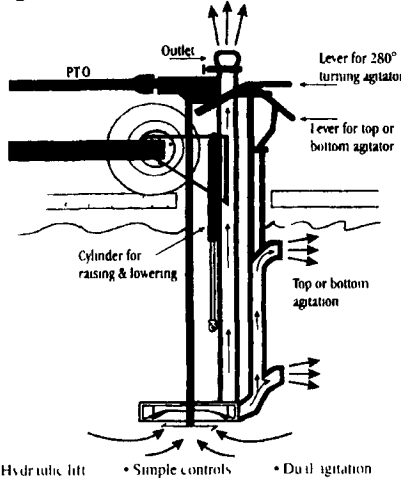
(410) 299-3326

(410) 239-9399, (717) 359-0076

USED TRACTORS

- IH 856\$6,800
- IH 806.....\$6,600
- IH 1466. \$8,800
- JD 3960 Ready For Corn Table . . \$4,700

Liquid Manure Pit Pumps



MILLER'S REPAIR
1 Mile North of Bird in Hand
8 Miles East of Lancaster
Ph. 717-656-6109

NEW JOHN DEERE EQUIPMENT IN STOCK

TRACTORS

- JD 6410 MFWD, Open Station
- JD 7810 MFWD
- JD 5210 MFWD
- JD 7510 MFWD

HAY & FORAGE

- JD 466 Round Baler
- Wide Selection of Rotary Cutters In Stock
- JD 348 Baler

MISCELLANEOUS

- (2) JD 6-Row Planters
- JD 450 Drill
- JD 714 Mulch Tiller, 9 Shank
- JD 980 Field Cultivator 18'6"
- JD 913 V-Ripper
- JD 637 Rock Disc 20' 9"

USED EQUIPMENT

Used Tractors Waiver Of Finance Until June 1, 2001
Program Valid Until Oct. 27, 2000

USED TRACTORS

- JD 4450 MFWD, Good Clean Local Tractor ~~\$38,500~~ ~~\$37,900~~ **\$36,500**
- JD 7700, PS, Cab, 2WD ~~\$44,000~~ **\$42,000**
- JD 8100 MFWD, 1800 Hrs **\$65,000**
- Oliver 1800 **SOLD** ~~\$2,500~~

- JD 215 Flex Head Side Hill **\$6,000**
- JD 215 Flex Head (Rebuilt) **\$6,400**
- JD 643 Corn Head, Low Tin **\$11,000**
- JD 4R Row Crop Head Completely Rebuilt (Like New) **\$14,500**

HAY EQUIPMENT

- JD 1219 MoCo **\$3,500**
- JD 1460 MoCo **\$7,200**
- JD 1460 MoCo **\$7,500**
- JD 920 MoCo **\$12,000**
- JD 820 MoCo (Sharp) ~~\$8,900~~ **\$8,400**
- JD 327 Baler w/Ejector **\$3,500**
- NH 499 **\$6,000**

- JD 3970 Forage Harvester **\$9,000**
- JD 3970 Forage Harvester (Sharp), Field Ready **\$10,500**
- JD 3960 Forage Harvester **\$5,500**

SEEDING

- JD 8250 w/Grass Seeder **\$2,800**
- JD 7200 4 Row Finger P.U. Liq. Fert., Single Disc Opener, 3 Yrs. Old, Frame Mount Coulters. **\$13,000**
- JD 750 No-Till Drill w/Grass Seeder, Thru Shop **\$19,900**

COMBINES

- JD 6620 Level Land **As Is \$8,500 \$7,500 \$7,200**
- JD 7700 Combine.....**As Is \$6,000 \$5,500**
- JD 6600 Side Hill **As Is \$7,000 \$6,000 \$4,500 \$3,500**
- MF 8460 Sidehill Combine w/Claas 6-Row Corn Head, 15 Ft. Grain Head ~~\$68,000~~ ~~\$67,000~~ ~~\$62,000~~ **\$58,000**

MISCELLANEOUS

- Loftness 7 ft. Orchard Shredder, w/New Knives..... **\$3,500**
- JD635 12 ft. Rock Disc..... **\$6,000**

Used Combines Waiver Of Finance Until Sept. 1, 2001
Program Valid Until Oct. 27, 2000

AE ADAMSTOWN EQUIPMENT AE

JOHN DEERE OIL AND FILTERS

Your engine's best friends...

When you use John Deere oil and filters, you're not just using any oil and filters. John Deere oil and filters are designed and formulated specifically for your engine, enhancing performance and increasing your engine's life.

And now, for a limited time, you can take advantage of our annual truckload sale on John Deere lubricants, along with special savings on selected John Deere filters.

Get these deals now, they won't last long.

SAVE 12% on 77 Popular Filters

TRUCKLOAD OIL SALE

		Sale Price
TY6390	5 Gal. 15W40.....	\$28.50
TY6391	55 Gal. 15W40.....	\$270.00
AR69444	5 Gal. Hydraulic Oil.....	\$26.50
AR69445	55 Gal. Hydraulic Oil.....	\$247.00

Ask for SALE PRICE on 30 wt. Low Vis. Hyd. Oil in 5 Gal. & 55 Gal. All Oil Sale Prices are CASH Price Sale Prices Good thru October, 2000.

ADAMSTOWN EQUIPMENT, INC.



Box 456, Bowmansville Road
Adamstown, PA 19501 717-484-4391

We Have Used Parts To Fit JD 2-Cyl. and 10 & 20 Series Tractors!



★ ★ ★ ★ ★
12' Brillion flail shredder, ready to go, excellent condition **\$4,300**
610/775-2568
★ ★ ★ ★ ★

ADAMSTOWN EQUIPMENT, INC.



Box 456, Bowmansville Road

Adamstown, PA 19501 717-484-4391

We Have Used Parts To Fit JD 2-Cyl. and 10 & 20 Series Tractors!



OLIVER TRACTOR PARTS
NEW or USED

We Are Your Better Source For Oliver Tractor Parts
NOW IN STOCK - 300 OLIVER TRACTORS DISMANTLED
with The Parts, Cleaned, Inspected, And Ready To Ship The Same Day You Order

Try Us- We Can Get You Going
We Will Ship You The Correct Part
The First Time



OCTOBER SPECIAL
FAST ORANGE #25218 - Pumice Hand Cleaner

- Contains no petroleum solvents.
- Fresh citrus scent.
- Aloe, lanolin, and jojoba oil keep skin conditioned.

1 - Gallon Bottle with Pump

Our Regular Price \$9.89

SPECIAL \$8.49

Offer Expires 10/31/00

STORE HOURS: Mon. Thru Fri. 8 AM - 5 PM; Sat. 8 AM - 12 Noon

*717-354-2150 *Fax 717-355-9909

FARMERSVILLE EQUIPMENT
- INC. -



142 East Farmersville Road
PO Box 638, Ephrata, PA 17522-0638

Located In Village of Farmersville, Lancaster County

