

QUALITY USED EQUIPMENT

Ford 3000 Gas, PS, 3pt, Live PTO, w/Ford Loader \$7,900
 Deutz Allis 5215 Dsl, 18hp, FWD, 3pt, PTO, PS, Ag Tires, w/Loader .. \$7,900
 IH 4130 Skid Loader, Hydro Drive, 20hp Gas Engine, Bucket & Pallet Forks \$4,900
 JD 1520, Gas, HiLo, Ind PTO, w/JD 48 Loader..... \$8,900
 FNH 3930 4WD, Shuttle, 800 hrs. w/Woods Dual Loader, Excellent Cond. \$19,900
 Oliver 1250, Gas w/Schwartz Loader \$4,900
 AC D15 Gas, PS w/Industrial Loader & Backhoe..... \$5,900
 74 Ford 3000, gas, PS, 8x2 trans, 3 pt., live Good Cond..... \$5,900
 73 Ford 4000, gas, PS, 8x2 Trans., 3pt., Ind PTO, 14.9x28..... \$6,900
 Ford 1720 27hp Diesel, FWD, Shuttle, PS, 3 pt., Live PTO, Ag Tires, w/Ford QT Loader, 420 Hrs \$12,500
215/536-3321 888/393-3208
"Cash buyer - good used equipment"



WAY BRITE FARMS have taken over Danco's Wagon and Farm Equipment lines.

Call us for your **GROVE-JERR DAN-DANCO PARTS**

.....FALL 2000 FORAGE BOX PARTS.....

- Clutches - Sprockets - Shafts
- Cross Conveyor Belts & Chains
- Apron Chains - Worm Gears
- Forage Box Roofs - Spindles & Hubs
- 6 Lug Chevy Wheels

WAY-BRITE FARMS
 David P. Waybright
 837 Mason Dixon Road, Gettysburg, PA 17325
 Phone 717/334-5492 Fax 717/334-6147
 Dealer Inquiries Invited

" Martin's Tractor Parts "

866 Greenspring Rd
 Newville, PA 17241

Used Tractors: Ford TW15 4WD, \$12,500, JD 1520 w/Ldr, \$6,800, JD 730 Gas, \$6,200, JD 2510 Power Shift, Exc., \$7,000, JW 4320, \$9,500, JD 3020 PS, **SOLD**

Used Tractor Parts

Most Makes and Models Have Large Selection
 Recent Arrivals IH 544, JD 4030, AC WD, AC D17, CIH 7120, Case 1070, IH 1066, IH 856, AC 170, Case 500, JD 4020, IH M, Farmall M, JD 3010, Case 1490, AC 200, JD 4430, AC 6080, Oliver 770, IH 986, JD 1020, JD 4000, IH 856, Oliver 1800, Oliver 1855, JD 2510, JD 4020, IH 250, JD 2510, IH 250, Oliver 1800, Oliver 1855, JD 4230

Call (717) 776-7542 or 6057
 (717) 776-7327 Fax
 for detailed information

MON-FRI 8-5 SAT 8-12
No Sunday Calls Will Ship UPS
Positively No Out-Of-State Checks

Easy 500 BU Grain Cart

w/4240 JD Tractor
 or 6030 JD w/Duals
610-469-9633



NEW HOLLAND
NEW HOLLAND
 New TN65S 52hp Tractor w/Super Steer
 New 1465 Haybine
 New 163 Tedder
 Used 272 Baler
 Used 315 Baler w/Thrower
 Used 326 Baler w/Thrower

OTHER EQUIPMENT

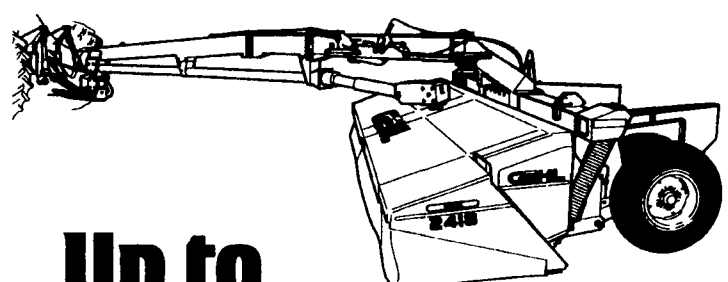
Used Ford 914 60"
 Mid Mower
 Used Ford CM224 4WD w/60" Front Mower
 Used Ford 1210 4WD Tractor

Sweigard Bros. Inc.

3882 Peters Mtn. Rd.
 Halifax, PA 17032
717-896-3414
 Since 1937



GEHL DISC MOWER CONDITIONERS



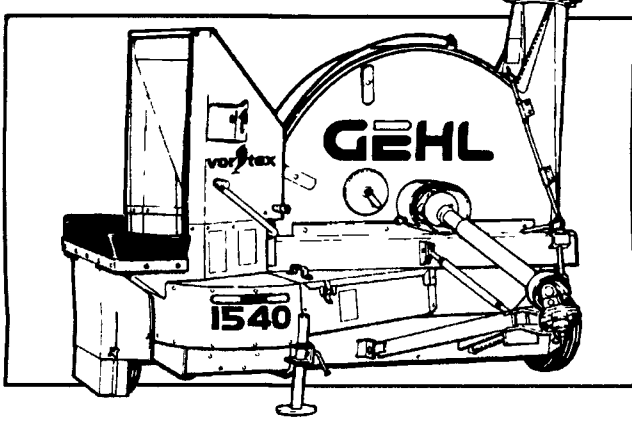
Up to 18' of Quick, Clean Cutting

Gehl's family of five disc mower conditioners will give you the cutting edge when it comes to simplicity and performance. All deliver fast, smooth cutting, while thoroughly conditioning hay for fast drying

- Two conventional or three big swing frame models
- Choice of cutting widths from just over 9 feet to the 18-foot giant
- Wide, machined conditioning rolls for fast drying
- Simple drive system for great reliability

Visit your Gehl dealer soon for details on how to make your best hay the Gehl way.

"Vortex™" Blowers



If you need a high-capacity forage blower to fill your tallest silos, Gehl Vortex blowers will help get your silo-filling done in short order

- **Three models** - Your choice of 540 or 1,000 rpm operation
- **Twin spinners** - Rifle material into the blower fan at nearly 35 mph
- **Twin-sided fan disc** - Paddles on both sides shoot the crop up the pipe in nearly continuous flow
- **Split rim sheets** - Feature a replaceable inner liner for longer life and lower maintenance costs
- **Many convenience features** - Swing-away blower outlet, air vents, adjustable left tire, right tire guard, wide hopper, removable tunnel - covers and duals water inlets

FREEDOM FINANCING
10.9% for 48 months With Full Cash Rebates

FINANCING FOR GEHL HARVESTING EQUIPMENT
 Waiver of Finance on new Gehl Equipment until **July 1, 2001** - OR - **\$1,000 CASH REBATES ON DISC CONDITIONERS** - OR -

0.9% for 12 months - OR - **3.9%** for 24 months - OR - **4.9%** for 36 months - OR - **5.9%** for 48 months

Available From Your Local Participating GEHL Dealer

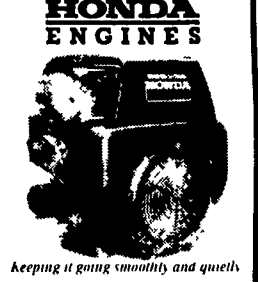
FIELDS IMPLEMENT STORE Valley Road, Eighty Four, PA	HULL'S FARM & LAWN EQUIPMENT 4299 Airport Rd. Indiana, PA 15701	MILLER-LAKE RR 02, Box 273A Belleville, PA	UMBERGER'S OF FONTANA 1067 Horseshoe Pike (Rt. 322) (Fontana), Lebanon, PA	COLUMBIA CROSS ROADS EQUIPMENT R.R.2, Box 62 Columbia Crossroads, PA
HINES EQUIPMENT PO Box 5, Rt. 22 Cresson, PA RR 03, Box 550, Altoona (Bellwood)	LEBANON VALLEY IMPLEMENT CO., INC. 700 E. Linden St. Richland, PA	PEOPLE'S SALES & SERVICE, INC. Route 35 Oakland Mills, PA	WERTZ FARM & POWER EQUIP. PA Route 516, Glen Rock, PA	D.W. OGG EQUIPMENT CO. 5149 Cap Stine Rd. Frederick, MD 961 Leisters Church Rd. Westminster, MD
HOUGHTALING'S GARAGE website: houghtaling.tripod.com Middlebury Ct., PA	LINCOLN SUPPLY & EQUIPMENT Intersections of Rts. 601 & 219 Somerset, PA	SNYDER EQUIPMENT, INC. RR 1, Route 405 Watsonstown, Pa	A.L. HERR & BRO. 312 Park Ave., Quarryville, PA	ECKROTH BROS. FARM EQUIPMENT RR 02, Box 24A New Ringgold, PA
ICKES FARM SUPPLY Rt. 1 Hwy. 869 West Osterburg, PA	MILLER EQUIPMENT CO. RR 01 Stauffer Rd. Bechtelsville, PA	STOUFFER BROS. INC. 1066 Lincoln Way West Chambersburg, PA	BINKLEY & HURST BROS. 133 Rothsville Station Rd. Lititz, PA	



USED EQUIPMENT

Deutz DX120 Tractor 4WD
 White 155 Tractor
 Case 2390 Tractor
 White 288 Tractor
 White 435 Disc Chisel
 White 281 10' Offset Disc
 White 5100 6R Liquid
 White 5100 4R Planter
 Kinze 6R Planter
 Gleaner 6R 30 Hugger Head
 NI 5112 Mower Conditioner
 Hesston 1160 14 Windrower
 Fox 2200 Forage Harvester
 Miller Pro Forage Boxes in Stock
 NI 3632 Spreader
 NI 3622 Spreader
 IH 6200 Drill
 Woods 5' Rotary Cutter
 Massey 1080

STANLEY'S FARM SERVICE
 RD Box 46
 Klingerstown, PA
 570-648-2088
 WE ALSO STOCK NEW VICON



SEPTEMBER SPECIALS

5 HP GC160 Light Duty Recoil \$210
 2.5 HP G100 Recoil \$239
 4 HP GX120 Recoil \$285
 5.5 HP GX160 Recoil \$299
 6.5 HP GX200 Recoil \$345
 9 HP GX270 Recoil \$490
 11 HP GX340 Recoil \$560
 13 HP GX390 Recoil \$580
 18 HP GX610 Recoil Tank Muffler \$1135
 20 HP GX620 Elec. Start Tank or Fuel Pump \$1295
 24 HP GX600 Complete \$1195
 5.5 HP GX160 Elec. Start \$435
 9 HP GX270 Elec. Start \$615
 11 HP GX340 Elec. Start \$675
 13 HP GX390 Elec. Start \$695
 Add For Shipping on Motors
 2.5 hp to 9 hp - \$10.00
 11 hp to 13 hp - \$25.00
 18 hp to 20 hp - \$45.00
 Send Check With Order
6 To 1 Clutch Reduction 540 RPM \$695
 All Units Have Oil Alerts Except 2.5 & 5.0 HP
Blue Mt. Small Engine Service
 1490 Three Sq Hollow Rd Newburg, PA 17240
717-423-5358