



1984 GMC 350 13 sp.
Good Blower & Dump \$12,000
717/768-3459



1995 IHC 4900
24' Box Van w/Lift Gate; DT466 210HP;
6 Spd. Trans; P.S.; A/C; 33,000 GVW;
Very Clean **\$19,500**
Curry Supply Co., Curryville, PA
1-800-345-2829

1990 Ford European style truck, blown diesel motor, good 16' flatbed dump, \$2,500 as is. 717-792-2751.

1990 Int 4900 dsl, 18' flatbed scissor dump, air brakes, good cond, \$14,500. 717-792-2751.

'74 GMC dump truck, 23,000 GVW, new inspection, steel body, tailgate hinge top & bottom, good rubber, \$3200. 610-913-8016

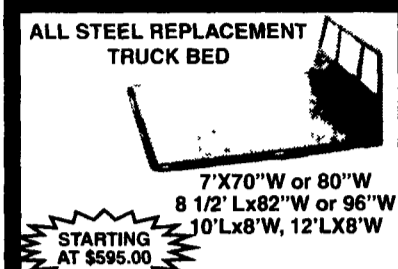
Mercedes 116 16' Omaha body dump. 7' Woods 3pt mower. 610-469-9633

KEYSTONE TARPS SERVICE & SALES
Is A Manufacturer Of Custom Tarps

- Systems
- Tarp Straps
- Storage Covers
- Load Straps
- Gloves
- Used Railroad Ties

1-800-798-TARP (8277)
FAX 570-435-0036 570-435-0752

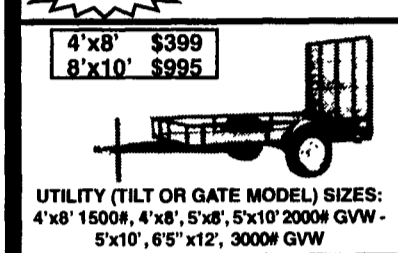
ALL STEEL REPLACEMENT TRUCK BED



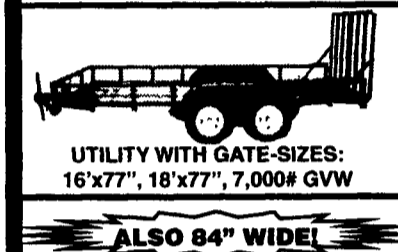
7'X70"W or 80"W
8 1/2' Lx82"W or 96"W
10'Lx8"W, 12'Lx8"W

STARTING AT \$595.00

4'x8' \$399
8'x10' \$995

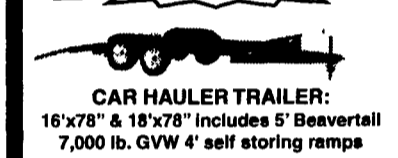


UTILITY (TILT OR GATE MODEL) SIZES:
4'x8' 1500#, 4'x8', 5'x8', 5'x10' 2000# GVW -
5'x10', 6'5"x12', 3000# GVW



UTILITY WITH GATE-SIZES:
16'x77", 18'x77", 7,000# GVW

ALSO 84" WIDE!



CAR HAULER TRAILER:
16'x78" & 18'x78" includes 5' Beavertail
7,000 lb. GVW 4' self storing ramps

Quality Trailers Built Locally By "PA International"

Car Dollie




Sale \$795

19 Ft. Hydraulic Tilt Trailer, 10,000 lb. GVW \$3,395

3 Pt. Finish Mowers
5' - \$950 \$899
6' - \$1650 \$999
91" - \$1395 \$1,299

Over 200 Trailers IN STOCK
Starting At \$475.00
T-Plates
DEALERS WANTED


Highway Hydraulic Dump BRI-MAR



5'x8', 3000# \$2,195
5'x8', 5000# \$2,495
6'x10', 7,000# \$3,195
6'x10', 10,000# \$3,495
7'x12', 10,000# \$3,995

FREE BATTERY

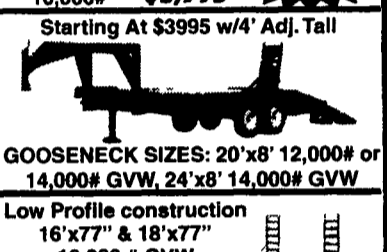
LOW PROFILE DUMP TRAILERS BRI-MAR



6 x 12 10,000# low profile \$4,095
6'x10' GVW low profile dump trailers w/ landscape gate
7,000# \$3,495
10,000# \$3,795


FREE BATTERY

Starting At \$3995 w/4' Adj. Tall



GOOSENECK SIZES: 20'x8' 12,000# or 14,000# GVW, 24'x8' 14,000# GVW

Low Profile construction
16'x77" & 18'x77"
10,000 # GVW



DECK-OVER CONSTRUCTION
20'x8' w/Tall 10,000# GVW \$3,295
20'x8' w/Tall 12,000# GVW \$3,695

FARM DUMP TRAILERS
(Direct from the Manufacturer)



6-Ton Dump Trailer

- 10 ft. x 7 ft
- Floating Tandem Axle
- 3 ft Front, 3 ft. Tailgate & Grain Chute
- 16 in. Extendable Sides
- 10 ga. Floor & Sides
- 11Lx15 Flotation Tires
- 2-Way 4 in. x 24 in Hydraulic Cylinder includes hoses




7-Ton Road Dump Trailer

- Fifth wheel or bumper type
- 16 ft. x 8 ft. deck 3 ft. front rack and pockets side & back
- D.C. hydraulic pump & battery mounted in locking tool box
- 12 ton drop leg jack
- 10 ga. floor
- 6x3x3/16 tube main frame
- Sealed beam lighting
- 7000 lbs. per axle rating
- Electric brakes on both axle
- 16" tires on white spoked rims
- \$6400 U.S. delivered in Northeast U.S.A.

BERKELMAN'S WELDING
RR 7, AYLMEER, ONTARIO, CANADA N5H 2R6
(519) 765-4230

KUTZ FARM EQUIPMENT, INC.
Pine Grove, PA 570-345-4882 FAX 570-345-2881
8 AM-5 PM Monday Thru Friday
8 AM-12 Saturday Or By Appointment




'96 CHEVY KODIAK
C&C, 3116 Cat, 250 HP,
6 Spd. Trans, A/C, Air Brakes,
184 W.B., 108 C.A., 33,000 GVW,
Pintle Hook w/Air Hook-Up,
52,000 Actual Miles \$26,500

AL HAMILTON USED TRUCK SALES
P.O. Box 157 • 55 Doe Run Road • Manheim, PA 17545
Phone: 717-665-7145 • Fax 717-665-2137


★★ **"CLEANEST TRUCKS AROUND"** ★★
SUMMER SALE
All Prices Reduced!



'89 MACK
New 10' Dump, E-6 Mack,
275 HP, 9 Spd. Trans.,
Fuller 3,000 GVW
\$29,500



'92 FORD LN8000
C&C, 7 8 Ford Diesel, 210 HP,
6 Spd. Trans., Custom Cab, Air
Brakes, 234 W.B., 168 C.A.,
33,000 GVW \$18,500




'94 FORD F700
C&C, 429 Gas, 5 Spd. Trans.,
14,000 Actual Miles, 207 W.B.,
140 C.A., Like New
\$19,500




'86 FORD LN8000
C&C, 3208T, 250 HP, 5 Spd.
Trans., 2 Spd. Rear, Custom Int.,
33,000 GVW, 222 W.B.,
156 C.A., Air Brakes \$15,500




'86 FORD LN8000 16'
Flat Dump, 3208 Cat, 210 HP,
5 Spd Trans, 2 Spd. Rear,
33,000 GVW, Air Brakes
\$19,500



'95 FORD LN8000
C&C, 8.3 Cummins, 210 HP,
6 Sp. Trans., Custom Int.,
Air Brakes, A/C, 260 W.B.,
192 C.A., 35,000 GVW \$23,500



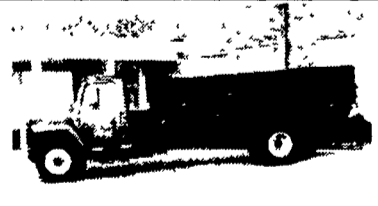
'93.INT. 4900
w/18' Morgan Box & Lift Gate, 8'
High, 102" Wide, DT-466, 5-Spd
Trans., 35,000 GVW, A/C, Air
Brakes \$19,500




'93 INT 4900
C&C, DT 466, 6 Spd. Trans.,
Custom Int., A/C, 32,000 GVW,
254 W.B., 186 C.A
\$19,500



'78 FORD LTS 9000
15' Dump, 6-71 Detroit, 4x4
Trans, 60,000 GVW,
Nice Older Truck
\$12,500




'85 INT. 1700 16' FLAT DUMP
9L Engine, 5 Spd Trans, Hyd
Brakes, 25,000 GVW
\$14,500



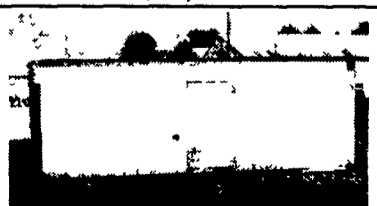
'94 INT. 4700 C & C
DT408, 5 Spd. Trans,
Hyd. Brakes, A/C, 254 W.B.,
186 C.A., 25,500 GVW
\$21,500



'89 FORD LN8000
New 10' Dump, 7.8L Engine,
240HP, 6-Spd. Trans.,
33,000 GVW
\$21,500



'98 EAGER BEAVER
10 HA-PT, 22' Deck, 6' Ramps,
102 Wide, Air Brakes,
25,000 GVW, Brand New
\$9,500



(3) 24' VAN BODIES
\$2,500 Each



22' FLAT BED
w/Racks & Lift Gate
\$2,500