

Flinchbaugh Finishes First At York Lamb Roundup

JOYCE BUPP

York Co. Correspondent

BAIR (York Co.) — Veteran 4-H livestock exhibitor Jen Flinchbaugh wrapped up her last roundup with a flourish, claiming the champion honors to add to the array of awards she has earned in more than a decade of youth competition.

The 19-year-old York shepherdess topped the annual 4-H roundup over about three dozen entries, taking the champion

banner with her heavyweight class winner. Her 126-pound Suffolk crossbred wether opened the lamb portion of the roundup sale, bringing a final bid of \$2.30 per pound from Dean L. Keeny Builders, Red Lion. Flinchbaugh is a sophomore at Penn State, majoring in animal science.

Reserve champion lamb of the roundup judging was the mediumweight class champion, a crossbred wether bred and exhibited by Jacob Emenheiser,

Winterstown. The win was the first champion title the 13-year-old sheep breeder took with a homebred entry.

Winning bidder for the reserve champion was Peoples Bank, York, represented by ag lender John Eaton, Jr., who made the \$2.05-pound final offer on Emenheiser's 111-pound lamb.

Champion lightweight entry, at 94-pounds, was exhibited by Lindsay Jones, East Berlin, and sold for \$1.05 per pound to Dave Hudish, Ag Choice Farm Credit.

Megan Heath exhibited the 131-pound reserve champion heavyweight class winner, which sold for \$1.30 per pound. Buyer was Dr. Stanton Leboutz, York.

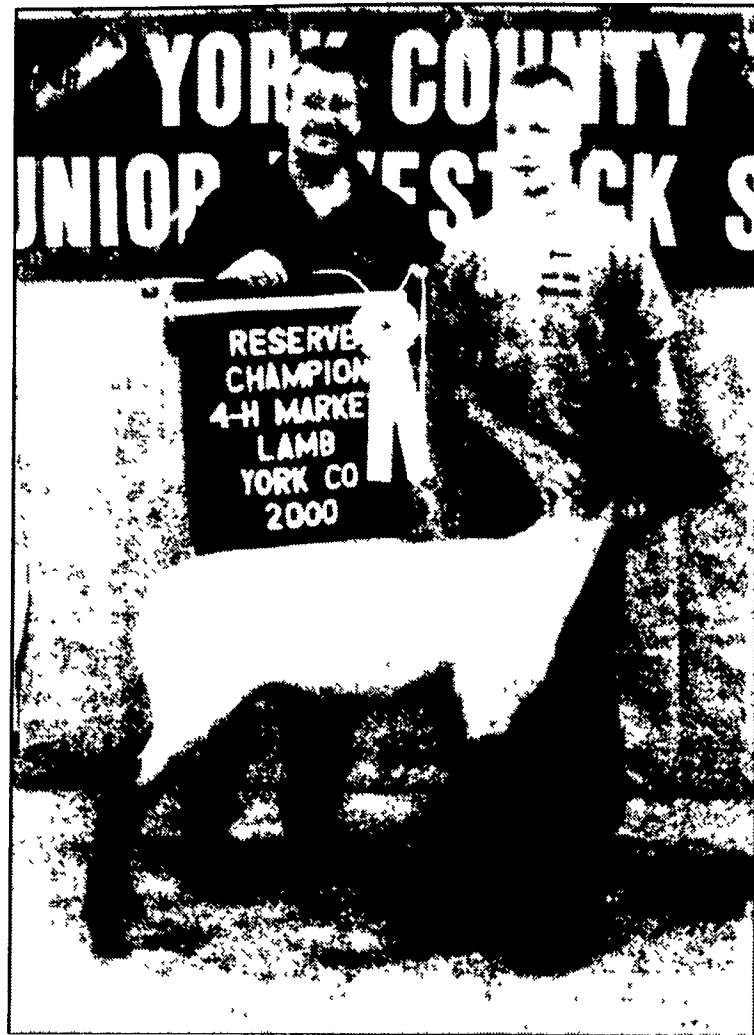
Travis Flory took the reserve champion mediumweight spot with a 106-pound lamb, selling for \$1.70 per pound to H.C. Davidson Plumbing, Hanover.

Reserve champion lightweight exhibitor was Nicole Gemmill, with her lamb weighing in at 98-pounds. Buyer was Ray Kopp, York with a \$1.25 bid.

The total 37 head marketed through the roundup sale generated a sale average, with the champions, of \$1.42 per pound, and generated more than \$5,700 in cumulative sale income to the 4-H shepherds. Minus the champion price, the sale average was \$1.37 per pound.

YORK 4-H MARKET LAMB ROUNDUP RESULTS

LIGHTWEIGHT
Class 1: 1. Russell Lawrence. 2. Rick



Jacob Emenheiser's homebred market lamb was named reserve champion at the York 4-H roundup. Peoples Bank, represented by ag lending specialist John Eaton, was the winning bidder.

Jones. 3. Tasha Flory.
Class 2: 1. Heather Bankert. 2. Kelly Jo Bankert. 3. Brandy Bankert.
Class 3: 1. Lindsay Jones. 2. Nicole Gemmill. 3. Dalton Flory.
Champion: Lindsay Jones.
Reserve champion: Nicole Gemmill.
MEDIUMWEIGHT
Class 4: 1. Kate Brown. 2. Dalton Flory. 3. Barbara Richardson.
Class 5: 1. Travis Flory. 2. Molly Ault. 3. Joshua Lawrence.
Class 6: 1. Jacob Emenheiser. 2. Joe Emenheiser. 3. Joe Emenheiser.

Champion: Jacob Emenheiser.
Reserve champion: Travis Flory.
HEAVYWEIGHT
Class 7: 1. Jacob Emenheiser. 2. Heather Heath. 3. Cody Ault.
Class 8: 1. Tiffany Flory. 2. Krissy Stern. 3. Tyler Flory.
Class 9: 1. Jennifer Flinchbaugh. 2. Megan Heath. 3. Jeffrey Emenheiser.
Champion: Jennifer Flinchbaugh.
Reserve champion: Megan Heath.
GRAND CHAMPION
Jennifer Flinchbaugh
RESERVE GRAND CHAMPION
Jacob Emenheiser

JUNIOR LIVESTOCK



York 4-H Market Lamb roundup champion went to veteran exhibitor Jennifer Flinchbaugh. Buyer of the Suffolk crossbred was Dean Keeny, for Dean L. Keeny Builders.

WATERLESS TOILETS

"SUN-MAR" Composting Toilets

Several models available including non-electric

- NO Septic System
- NO Chemicals

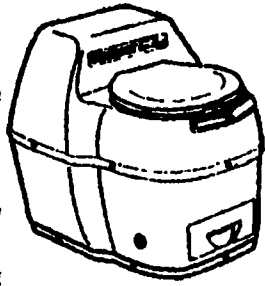
Save the Environment!
Recycle Back to Nature!

FREE:

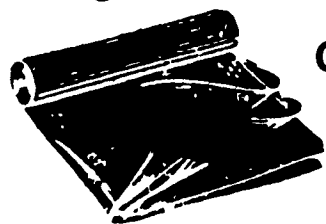
12 Page Color Catalog

We Perform Septic Inspections & Certifications

ECO-TECH Call Today 1-800-879-0973



TRUCKLOAD SALE



BLACK PLASTIC CROP COVERS

4 or 6
Mil

10'x100' Through 40'x100'

★ Reasonable Prices ★

Also Round Silo Caps In Stock

Black & White BUNKER COVERS

25x100, 32x100, 40x100, 40x150, 50x150

HUBER'S ANIMAL HEALTH SUPPLIES

810 Tulpehocken Rd., Myerstown, PA 17067

717-866-2246

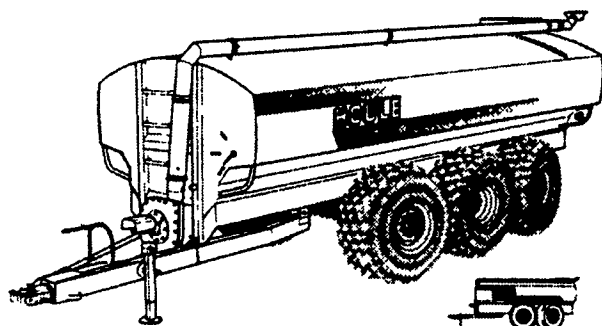
Mon 7:30 a.m. to 6 p.m., Thurs & Fri 7:30 a.m. to 8 p.m.
Tues & Wed 7:30 a.m. to 5 p.m., Sat 7:30 a.m. to Noon

HOULE

LIQUID MANURE SPREADER

WITH FLOTATION TIRES TO MINIMIZE SOIL COMPACTION

Available with complete line of spreading tool bars and precise flow control to spread manure the ecological way eliminating spray drift and reducing odors. Our tool bars are designed to apply hog or dairy manure on growing fields, between rows of corn or on harvested fields.



4-6 OR 8 WHEEL SPREADERS WITH POWER STEERING 3850 TO 9500 US GAL.

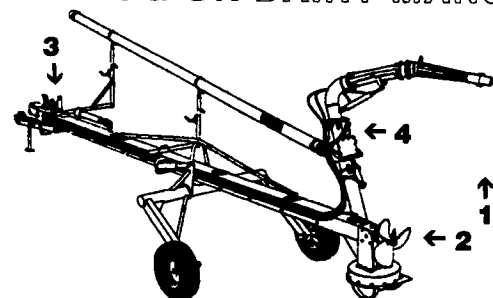
SPREADERS WITH SINGLE AXLE OR TANDEM-2350 TO 6000 US GAL.

- "V" shape bottom for more complete clean out.
- Standard exterior finish: epoxy primer and urethane paint.
- Low profile tank for maximum visibility and stability.

TRAIL AGI-POMPE

32' and 42' for Lagoons

GREAT PERFORMANCE
IN HOG OR DAIRY MANURE



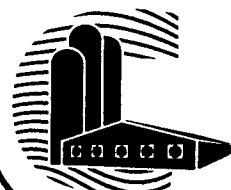
- 1-Highly articulated nozzle designed to slice and break the top crust from above the manure level as the propeller homogenizes the liquid with the remaining floating chunks.
- 3-Hydraulic controls can be operated from tractor seat.

- 2-24" dia. mixing propeller providing full time agitation up to 21,500 US G.P.M. even when loading a spreader.
- 4-Rotative directional valve designed to be operated at low R.P.M. without stopping the P.T.O.

Gear box oil bath protected by a greasable 3 seals mechanism on each shaft.

AVAILABLE WITH MULTIPURPOSE OPTION TO ALSO CLIMB INTO CONCRETE PITS UP TO 14' DEEP.

UNITS IN STOCK FOR SALE OR RENT



CEDAR CREST EQUIPMENT

800-646-6601

717-866-1888

339 King Street, Myerstown PA 17067

Parts Stores: East Earl—717-354-0584 • Quarryville—717-768-1587