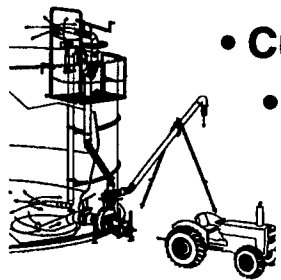
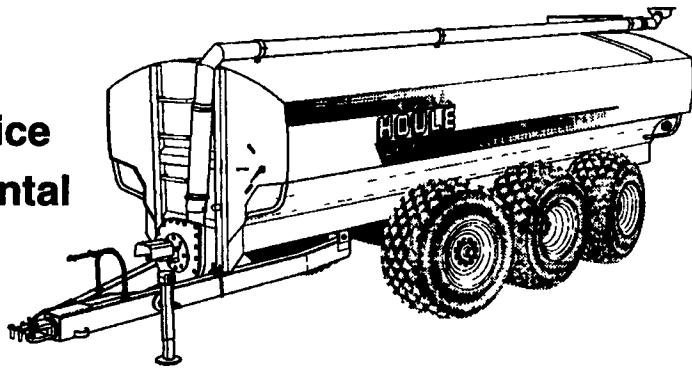
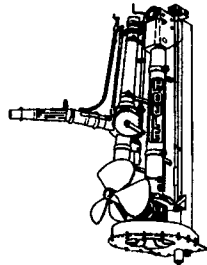


YOUR ONE STOP PLOP SHOP

- Sales
- Service
- Rental



- Custom Application
- Installation
- Custom Design



Liquid Manure is a valuable resource and a challenge to handle. You need an expert!

At Mid-Atlantic Agrisystems, liquid manure is our bread and butter not a sideline. To solve your problems we carry the most

complete line of equipment in the region, have years of practical hands-on experience, and offer valuable knowledge about products and the latest, most effective manure handling equipment.

Call the experts. Call Mid-Atlantic.

Stop by our display on East 5th St. at Ag Progress Days August 15, 16 & 17th and check out the latest in

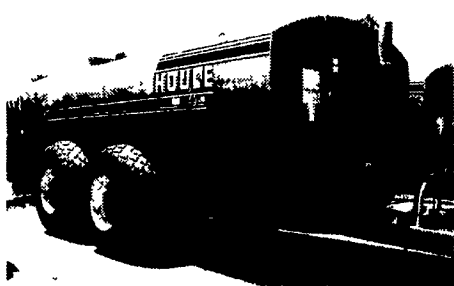


manure handling equipment

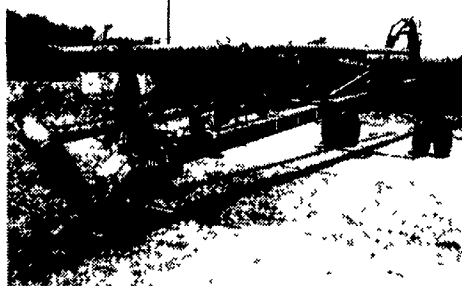
On Display Will Be:

- 6300 Gallon Tank w/Steering
- 5250 Gallon Tank w/Steering
- 3150 Gallon Tank w/Steering
- 42' Multi-Purpose Lagoon Pump
- 32' 8" Multi-Purpose Lagoon Pump
- 4" Electric Agi-Pump
- P.T.O. Irrigation Pump
- Maxi Pump
- 3" Transfer Pump
- Complete Line of Energy-Free Waterers

We have several good pieces of used liquid manure equipment including:



2000 Houle 5250 gal. w/brakes and steering, rental unit **CALL**



Houle 42' Lagoon Pump, Good Condition **\$6,250**



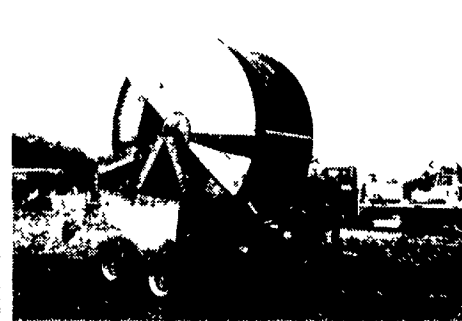
3000 Gal. Vacuum Tank, Concord Machinery, Too Many Options To List **\$5,500**



3,000 Gal. Tank on Badger Running Gear, 21.5x16.1 Tires, Rear Pump, Great Shape! **\$5,500**



Better Built 3350 gal. **\$4,000**



Ever Rain Irrigation Reel, 4"x1300' Engine Drive ... **\$10,750**



1997 JCB 185-65, Approx. 2,300 Hrs., Warranty Until 10/01/2000 or 3,000 Hrs., 200+ HP, Updated Draw Bar, New Tires, 540/1000 RPM PTO, Trailer Brake Kit **Will Deliver \$67,500**



JD 8640, w/5,800 Gal. Vacuum Tank, Floater Tires, 8,000+ Hrs. On Tractor, 1,000+ hrs. On Rebuilt Engine **Package Deal \$37,500**

Top Volume



Dealer
In North America

4019 Ashville Rd.
Quarryville, PA 17566
800-222-2948 • 717-529-2782

MID-ATLANTIC
agrisystems

