

# Coopers

John Deere Sales and Service EST. IN 1937

Chestertown, MD 410-778-3464 • Cecilton, MD 410-275-2195 • Glasgow, DE 302-834-0114

## Cecilton Location • 1-888-JD DEALS

### COMBINES & HEADS

Interest Free Waivers Available  
Till Sept 1, 2000

JD 9600, 4WD w/Duals, 1994  
JD 9500, 1990, Like New, 1,611 Hrs  
JD 7720, 1979, good cond  
JD 6620, 1979  
JD 444 4RW Corn Head

### DRILLS & PLANTERS

JD 1520 Drill, 1997 w/1570 Coulter Cart, Like New  
JD 7000 8RW Planter  
(2) JD 7000 6R Planter, Dry Fert

Call Us On Our Web Page [www.wnc-cooper.com](http://www.wnc-cooper.com)

Salesmen: Mike Kern, Bill Dilling

### LAWN & GARDEN

1989 JD 260 w/Power Flo Bagger  
JD LX188 w/48" Mower

### TRACTORS

JD 4010, Excellent Condition  
JD 5200, 2WD, 1997  
JD 7410, 4WD, Left Hand Reverse, 1,500 Hrs  
JD 8300, 1997, 850 Hrs, Like New  
Case IH MX170, 1998 w/Duals  
Mustang 552 Skid Loader, 1987, 900 Hrs.,  
Ex Cond **\$7,800**

### MISCELLANEOUS

JD 220 Disc Harrow  
JD 145 5 Btm Plow  
Tiger Right & Left Hand Flail Mower,  
Fits Case 5240 Tractor, Good Condition  
Tiger 74" Side Mower, Fits JD 6300

Commercial Sales: Gerry Godfrey

## Chestertown Location • 1-888-DEERE-4U

### COMBINE & HEADS

Interest Waiver Till Sept 1, 2000

JD 9600 1994 4WD, 1,220 Hrs **\$79,500**  
JD 9400 1994, 659 Sep Hours, **\$68,000**  
JD 7720, 1981, 2WD **\$10,000**  
JD 843 Corn Head JD 924 Cutter Bar  
(2) JD 643 Corn Head JD 922 Platform  
(3) JD 920 Platform (3) JD 220 Cutter Bar  
JD 224 Flex Cutter Bar

### TRACTORS

JD 4850 1987, MFWD 18 4x42, Rebuilt  
Engine **\$46,500**  
JD 4850 1985, MFWD, 20 8x38 Duals **\$41,500**  
JD 7400, 2WD, Duals, 2,405 Hrs **\$35,200**

### DRILLS & PLANTERS

JD 7000 6 Row w/Liquid Fertilizer  
JD 7000 12 Row Front Fold Planter  
JD 750 15' No-Till Drill w/SOLD Markers  
Great Plains 15' No Till Drill **Coming In**

### COMPACT TRACTORS

Kubota L2650, 4WD, 285 Hrs, Woods  
6' Mower w/New Woods Loader & Blade **\$14,000**  
Kubota L2250 2WD Tractor, 289 Hrs **SOLD \$5,500**

### MISCELLANEOUS

JD 215 Disc Harrow, 15'  
IH 496 22' Disc Harrow **\$8,500**  
Unverferth 18' Rolling Harrow **\$2,650**  
Unverferth 27' Rolling Harrow **\$5,500**  
Hanson Gram Cart, 450 Bushel **\$3,500**

Salesmen: Bill Cooper, Jack Wright, Lee Callaway

## FARM EQUIPMENT

### Leaman Tractor & Parts Inc.

329 Brenneman Rd.,  
Willow Street, PA 17584 (Lancaster Co.)  
717-464-2874 Fax 717-464-4130

Turn Left on Brenneman Rd.  
from 222 S at Refton

DEALER INQUIRIES WELCOMED

We Now Accept

### TORQUE AMPLIFIERS & CLUTCHES

- ★ 5 Year Warranty (Complete Unit)
- ★ Heavy Duty Sprag
- ★ Price \$695.00
- ★ 20 Years of Proven Results!
- ★ TA's Can Be Shipped UPS

The Strongest units available anywhere  
with a track record to prove it!

### ENGINE PARTS

- ★ Engine Overhaul Kits for most brands,  
in frame & complete out of frame kits  
Excellent prices from quality suppliers
- ★ Rebuilt fuel pumps - most brands  
comes with 2 year warranty
- ★ Turbo Chargers (new & rebuilt) 1 & 2  
year warranties
- ★ Next Day UPS Delivery On Most Of  
These Items

### USED TRACTORS - SOLD WITH WARRANTY

- Case IH 5240, 1995 cab air MFD power shift  
new tires, 3900 hrs very clean
- 1995 Magnum 7240, cab air MFD 18x46 rear  
tires & duals very clean 4450 1 owner hrs  
excel cond
- Cash IH 5140 MFD ROPS w/power shift fresh paint  
new 18x38 tires
- IH 5288 MFD, cab air late 1984 model 20x38  
tires new 5240 hrs **\$22,500**
- IH 5488 MFD, cab air 1983 model  
5900 hrs w/dual PTO & 20x38 tires & duals
- (2) IH 3488, cab air fresh paint hydro trans rebuilt  
18x38 tires like new Excellent Cond  
(1) @ \$21,500
- IH 86 hydro w/310 engine W/F/E like new 18x38 tires
- Case IH 5250 cab 2WD power shift w/fresh paint  
18x38 rear tires at 85%
- JD 730, diesel pony start factory tenders w/dual  
hydraulic both engines running great
- White 4-270 art tractor **SOLD** duals w/3pt
- JD 8640 articulating tractor w/3pt PTO 50 series  
engine
- Case IH 786 Fender Tractor, 3000 hrs very bright  
in appearance runs out excel
- Case IH 510 loader w/material bucket fits Maxum  
also have mounts to put this on MX series
- IH WFE fits Super M thru 450
- Case 2590, cab power shift 20x38 90% tread & duals  
good cond ~~\$12,900~~ **\$12,500**
- IH 2001 loader mounts for IH 656 **\$1,000**
- IH 1066, red cab 1975 model 3500 hrs 18x38  
dual PTO & hydraulics field ready
- IH 1066, fender tractor fresh T/A 18x38 tires excl  
dual PTO & dual hvd
- IH Super W66A diesel runs good good sheet metal  
rare model
- IH SW-6-D good sheet metal engine is running good
- Farmall 450 diesel W/PS factory W/F/E
- Farmall B-450 diesel (made in Britain) direct start  
diesel factory 3 pt diff lock factory W/F/E looks  
like a Super M
- Farmall MV (high crop) glider kits build your own  
high crop
- JD 4620, power shift w/cab rebuilt trans fresh  
paint 18x38 tires & cast dual wheels
- MF 280S cab, air 240hp w/PS trans 1900 hrs  
tractor good in every way cheap hp
- MM Model UTU factory propane currently running  
on gas
- AC D19 gas WFE 18x34 tires
- AC G w/cultivators & hydraulics
- Engines (used)
  - JD 76L same as 466 T complete fresh overhaul
- IH Pull Type Axial Flow Combine model 14-52 w/17  
header (same as 1480 combine except pull type)
- 1998 JD 9510 combine 800 hrs fully equipped  
including green star \$95,000 w/grain header
- Ford 8600, w/dual power excel cond good  
appearance
- WFE fits JD's (after market) 620 720 etc
- Gehl 125 grinder mixer w/**SOLD** s & molasses  
attachment

Call Us For Your Used Parts Needs

**SPECIALIZING IN IH BUT HAVE OTHERS**

## SUMMER SAVINGS

Jet Drill Press  
JDP-14MF

**\$389.00**

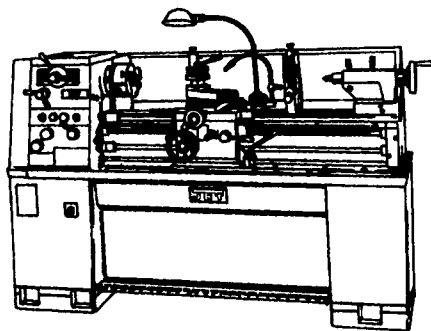
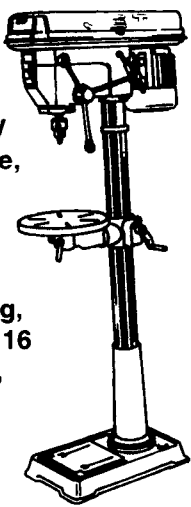
5/8" Cap, 14" Swing  
3/4 HP 1 Ph 115/230V  
16 Speed, Round Table,  
Morse Taper  
JDP-17MF

**\$409.00**

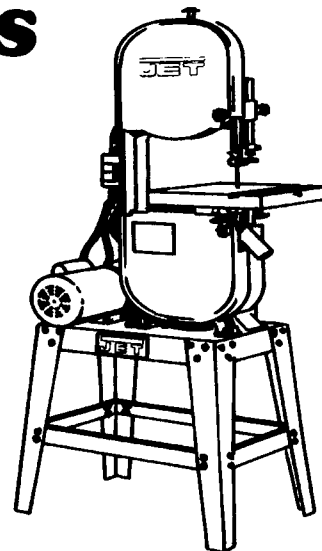
5/8" Cap, 16 1/2" Swing,  
3/4 HP, 1 PH, 115/230V 16  
Speed, Round Table,  
Morse Taper  
JDP-20MF

**\$799.00**

1" Cap, 20 1/2" Swing  
1 -1/2 H489H, 115/230 V,  
12 Speed, Sq. Table  
Morse Taper



1 Only Jet Gear Head  
Lathe  
**\$5,895.00**  
13" Swing, 40"  
Centers, 3 HP, 3 Ph,  
230V Only  
GH1340A



JET Bandsaws  
Vertical Floor  
Model JWBS-14CS

**\$579.00**

Closed Stand  
1 HP, 1 Ph  
115/230V  
JWBS-140S

**\$489.00**

Open Stand  
3/4 HP 1 Ph 115/230V

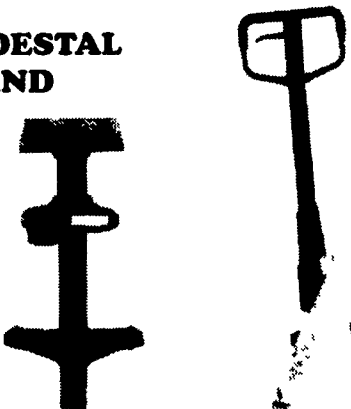
## JET EQUIPMENT & TOOLS

### JET PEDESTAL STAND

**\$57.00**

- Collant tank
- Tool tray

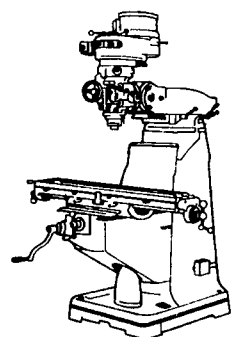
MODEL: JPS-2A  
Stock Number: 577172  
Mounting Surface (LxW/in): 11x10  
Overall Height (in): 31  
Net Weight (lbs.): 46



### Jet Milling Machine JTM-2

**\$5,349.00**

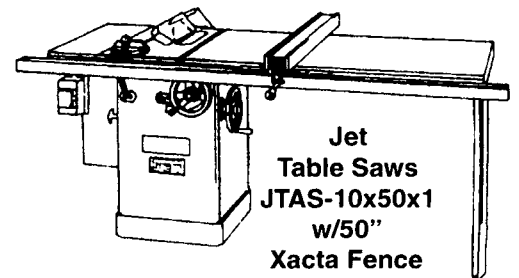
R-8 9"x42" Table,  
8 Spindle Speeds, 2 HP,  
1 Ph. 115/230V



### Jet Pallet Trucks PT2748W

6,000 Lb. Cap, 27"x48" Forks  
PT2048W, 6,000 lb. Cap.  
20"x48" Forks

**\$379.00**



**\$1,449.00**

3 Ph, 1 Ph, 230V

## Blue Ball Machine Co. Inc.

4225 Division Highway • Blue Ball, PA 17506 (717) 354-4478

**1-800-860-4470**

Store Hours:

Monday-Friday

7:30 AM to 5 PM