

St. Louis Feeder Cattle
Springfield, IL
Thu Jul 13, 2000

Report Supplied By USDA

Cattle and calves: 875 head. Compared to last week, slaughter steers and heifers were steady to 1.00 higher, advance on Choice and below grades. Supply mainly Choice and Select and Choice slaughter steers and heifers. Moderate supply of holstein steers.

Total Receipts this week: 875 Last week: 519 Last year: 800

SLAUGHTER STEERS: Choice 2-4 1000-1500 lbs 67.00-70.00, 1500-1600 lbs 65.00-68.00, 900-1000 lbs 62.00-65.00; Yield Grade 2-3 and Fancy 2-4 1200-1500 lbs 70.00-71.00; Select and Choice 2-3 1000-1350 lbs 65.00-68.00. Select 2-3 950-1350 lbs 61.00-65.00.

HOLSTEIN STEERS: Choice 2-4 1200-1700 lbs 62.00-65.00, mostly 62.00-64.00. Select and Choice 2-3 1175-1500 lbs 60.00-62.00; Select 2-3 1150-1400 lbs 55.00-60.00.

SLAUGHTER HEIFERS: Choice 2-4 975-1350 lbs 67.00-70.00, YG 2-3 and Fancy 2-4 1100-1350 lbs 70.00-71.00; Select and Choice 2-3 900-1225 lbs 65.00-68.00. Select 2-3 900-1200 lbs 61.00-65.00.

HEIFERETTES: Medium and Large Frame 1050-1425 lbs 45.00-55.00.

FEEDER CATTLE: Compared with last week, feeder steers and heifers under 400 lbs 5.00-10.00 higher, over 400 lbs 2.00-4.00 higher. Overall quality above last weeks level. Large buyer attendance.

FEEDER STEERS: Medium and Large Frame 1: Thin 200-300 lbs 110.00-126.00 300-400 lbs 100.00-115.00, fancy 115.00-118.00 400-500 lbs 95.00-102.00 500-600 lbs 91.00- 97.00 600-700 lbs 84.00- 92.00 700-800 lbs 80.00- 88.00 Moderately Fleishy: 400-600 lbs 87.00-95.00 Several 1000-1150 lbs 63.00- 69.00

Large Frame 2 Holsteins:200-300 lbs 94.00-100.00 300-400 lbs 85.00- 95.00 400-500 lbs 78.00- 85.00 **FEEDER HEIFERS:** Medium and Large Frame 1: Thin: 200-300 lbs 102.00-115.00 300-400 lbs 96.00-107.00, fancy 107.00-110.00 400-500 lbs 90.00- 98.00 500-600 lbs 88.00- 94.00, fancy 94.00-96.00 600-700 lbs 82.00- 90.00 Moderately Fleishy: 400-600 lbs 81.00- 90.00

Cow/Calf Pairs: Large Frame 7-9 yrs old with calf at side 660.00-740.00/pr. Medium to Large Frame 7-10 yrs old 525.00-675.00/pr.

Bred Cows: Medium to Large Frame 8-10 yrs old in 2nd and 3rd stage 390.00-500.00/hd.

Slaughter Cows and Bulls: 130 head. Compared to last week, cows weak to 2.00 lower. Bulls 1.00-2.00 lower.

SLAUGHTER COWS: % Lean Weight Price Breakers 75-80 % 850-1200 lbs 37.00-41.00 Boners 85-90 % 850-1200 lbs 39.00-43.00 High Yielding 85-90 % over 1100 lbs 41.00-44.00 Lean 85-90 % 850-1200 lbs 35.00-38.00 90-95 % 750-850 lbs 32.00-35.00 90-95 % under 750 lbs 28.00-32.00

BULLS: Yield Grade 1-2 1250-1600 lbs 46.00-51.00. Yield Gr 1 1300-1650 lbs 51.00-53.00, Individual at 53.50.

Pa. Weekly

13 Livestock Auctions

Friday, July 7

Report Supplied By PDA

CATTLE 2835...Compared with 4384 head last week and 4862 head a year ago.Slaughter steers mostly steady to 1.00 higher, sl. heifers 1.00 to 2.00 lower, sl. cows 1.00 lower, bulls mostly steady to 2.00 higher.

SLAUGHTER STEERS: High Choice and Prime 2-4 70.85-74.35, Choice 1-3 68.00-71.85, Select and Low Choice 2-3 65.50-70.00, Select 1-3 63.00-67.75, Standard 1-2 51.75-52.25.

HOLSTEINS: High Choice and Prime

2-3 63.00-64.50, Choice 2-3 60.00-63.25, Select 1-2 62.00-67.25, Standard 1-2 47.50-54.00.

HEIFERS: Choice few Prime 2-4 64.00-70.00, Select 1-3 62.00-67.25, Standard 1-2 47.50-54.00.

COWS: Breakers 75-80% lean 42.00-48.75, Boners 80-85% lean 38.00-45.50, Lean 85-90% lean 35.75-43.75. Shells down to 25.00.

BULLS: Yield Grade 1 1000-2500 lbs 52.00-59.50, Yield Grade 2 900-2400 lbs 49.00-56.00.

FEEDER CATTLE: STEERS: Medium and Large 1 300-500 lbs 84.50-109.00, 500-700 lbs 73.00-87.50, Medium and Large 2 300-500 lbs 60.00-68.00; **HEIFERS:** Medium and Large 1 300-500 lbs 85.50-93.00, Medium and Large 2 300-500 lbs 75.00-79.50, 500-700 lbs 59.00-75.50; **BULLS:** Medium and Large 1 300-500 lbs 90.00-101.00, 500-700 lbs 79.50-84.00, Medium and Large 2 300-500 lbs 64.00-74.00.

CALVES 3067...Compared with 3809 head last week and 3050 head a year ago. Vealers steady to 10.00 lower...**VEALERS:** Choice 135-300 lbs 90.00-115.00, Good 90-100 lbs 65.00-70.00, Standard and Good 75-110 lbs 36.00-65.00, Utility 50-100 lbs 15.00-35.00. **FARM CALVES:** Holstein bull calves 10.00 to 20.00 higher, Holstein heifers mostly steady to 15.00 higher...No 1 Holstein bulls 80-125 lbs 100.00-140.00, No 2 80-125 lbs 70.00-125.00; No 1 Holstein heifers 80-125 lbs 300.00-340.00, No 2 80-125 lbs 135.00-275.00.

Beef type bulls and heifers 60-135 lbs 105.00-160.00.

HOGS 827...Compared with 1561 head last week and 2149 head a year ago. Barrows and gilts mostly steady to 1.00 lower, sows 2.00 lower.

BARROWS AND GILTS: 49-54% lean 220-265 lbs 47.50-51.00, 45-50% 220-275 lbs 44.00-49.00, 40-45% lean

230-300 lbs 40.00-45.50. **SOWS:** US 1-3 300-500 lbs 30.00-37.50, 500-700 lbs 32.00-38.50. **BOARS:** 13.00-16.00.

FEEDER PIGS 205...Compared with 288 head last week and 323 head a year ago.US 1-3 30-50 lbs 30.00-42.00, 55-80 lbs 57.50-70.00. - per head.

SHEEP 859...Compared with 2100 head last week and 2284 head a year ago. Slaughter lambs steady to 5.00 lower...**SLAUGHTER LAMBS:** Choice 30-60 lbs 90.00-125.00, 60-110 lbs 90.00-110.00, Good and Choice 45-90 lbs 55.00-85.00. **SLAUGHTER SHEEP:** 12.00-50.00, Yearlings to 67.00.

ONE GRADED FEEDER PIG SALE 309...Compared with 693 last week and 327 head a year ago...Feeder pigs were not well tested due to Holiday...US 1-2 30-50 lbs 105.00; US 2-3 30-50 lbs 67.00; Slaughter: 15-35 lbs 110.00-145.00, 35-95 lbs 92.00. - per cwt.

Valley Livestock

Athens, Pa.

Report Supplied by Auction

Monday, July 10, 2000

HOLSTEIN HFR. CALVES 135.00-320.00.

BACK TO FARM CALVES 95-120 LBS. 110.00-165.00, 70-95 LBS. 60.00-130.00.

SLAUGHTER CALVES 15.00-60.00. GRASSERS & STR. CFS. 40.00-63.00.

FEEDERS 65.00-96.00.

LAMBS 50.00-95.00.

SHEEP 25.00-38.00.

HOGS 200-250 LBS., NONE.

SOWS, NONE.

BOARS 11.00-12.00.

PIGS, EACH, NONE.

HEIFERS 45.00-47.00.

STEERS TO 50.00.

BULLS 44.00-54.50.

GOOD COWS 40.00-44.50.

MEDIUM COWS 36.00-42.00.

THIN COWS 21.00-38.00.
CATTLE MARKET SOME EASIER.
CALF MARKET A BIT STEADY.
HORSES AND PONIES, NONE.
GOATS 15.00-70.00.
THIN COWS STILL HIGH.
FEEDER SALE 1ST MON. OF EA. MONTH; DAIRY SALE 3RD THURS. EACH MONTH.

New Holland Dairy

New Holland Sales Stables

Report Supplied by Auction

Wednesday, July 12, 2000

152 DAIRY COWS, 186 HEIFERS, 10 BULLS. MARKET STRONGER. LOCAL FRESH COWS 525.00-1425.00.

LOCAL SPRINGERS 650.00-1535.00.

BETTER FRESH COWS 1600.00-1875.00.

LARGE HEIFERS 1185.00-1385.00, 4 HEAD 1410.00-1450.00, SMALL 535.00-1010.00.

SHORTBRED HEIFERS 650.-1000.00, FEW 1200.00-1225.00.

OPEN BREEDING AGE HEIFERS 785.00-950.00, FEW 1025.00-1035.00.

BULLS 385.00-725.00, PUREBREDS 375.00-760.00.

UPSTATE LOADS FRESH 800.00-1600.00, 3 HEAD 1750.00-1875.00.

CANADIAN LOADS FRESH 800.00-1600.00, 4 HEAD 1750.00-2000.00.

FRESH HEIFERS 650.00-1350.00, FEW 1400.00-1450.00.

REGISTERED HEIFERS 885.00-1350.00.

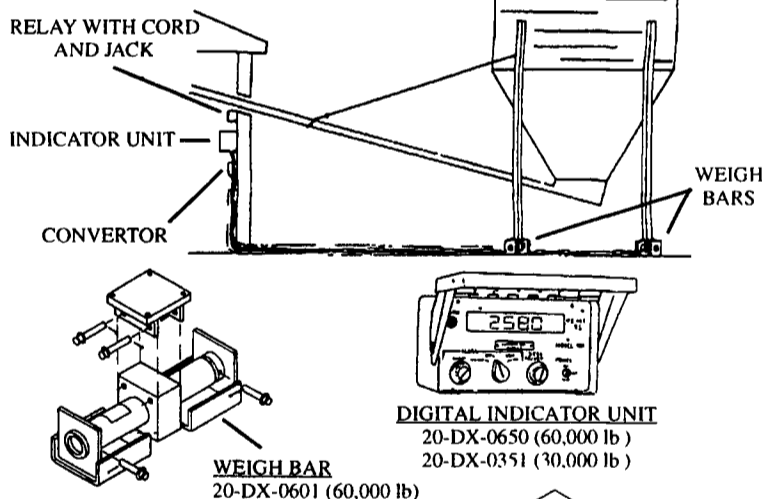
SMALL OPEN HEIFERS 585.00-675.00, SMALLER 410.00-450.00.

CANADIAN SPRINGERS 1335.00-1750.00.

SALE



SCALE COMPONENTS



USED POULTRY EQUIPMENT FOR SALE
SPECIAL LOW PRICES

- 125 48" Acme Fans w/1 HP 3 phase motors.....**\$125 ea.**
- without Motor.....**\$75 ea.**
- 8 36" Acme Fans w/1/2 HP 3 phase motors.....**\$100 ea.**
- Without Motor.....**\$60 ea.**
- 2 48" American Cool Air Fans without motor.....**\$85 ea.**
- 4 36" Stainless Steel Housing Fans.....**\$150 ea.**
- 12 12 Ft. Diameter 30 ton feed bins.....**\$800 ea.**
- (8 leg w/22" Hopper openings)
- 10 60,000 lb. Weigh-Tronix Bin Scales.....**\$500 ea.**
- (4 Load Cell per Unit)
- 8 Pit Scraper Power Units.....**\$300 ea.**

*** 48" Acme Fans and 12' Feed Bins
F.O.B. Gettysburg, PA area

Fans, feed bins and bin scales will be for sale as they become available.

Call Wayne Hershey at 1-800-432-0988 ext. 3034

Also available over 50 used motors in stock (Not for Fans)

SPECIAL SALE

We are currently overstocked on grain bin & feed hopper bins, bolts & nuts

Grade 8 Hex Bin Bolts	3/8x1"	.06 ea.
Grade 8 Hex Bin Bolts	5/16x3/4	.04 ea.
Grade 5 Hex Bin Bolts	3/8"	.015 ea.
Grade 5 Hex Nuts	5/16"	.015 ea.



Your Partner in Agri-Business

255 Plane Tree Drive, Lancaster, Pa 17602

Toll Free 800-HEC-0988

Fax (717) 291-1534

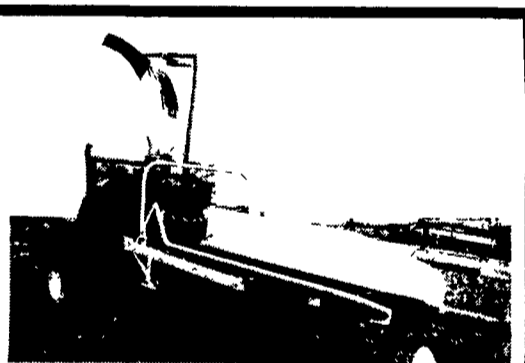
Email address-partsservice@Hequip.com

We are open Mon. - Fri. 6:00 a.m. to 5:00 p.m. • Our Service Department is Available 24 Hours/Day.

BAGS
BAGGERS
BALE WRAP
INOCULANTS
TAPE

CHARVIN FARM
AG PLASTICS
Dervin Hart
1200 Lebanon Rd.
Manheim, PA 175456

Call
800-352-3785



Rebuilt Gehl 750 with Conveyor;
New Knives and Shearbar.....**\$2,950**

- 1 NH 900 Harvester with Tandem Wheels
- 1 NH 900 Long Tongue, Metal Alert
- 2 NH 900 With Crop Processors
- 1 NH 892 With Crop Processor
- 1 NH 892 With Conveyor
- 1 NH 790 With Processor
- 1 NH 782
- 1 NH 890
- 2 Gehl 600
- 2 Gehl 750
- 2 Gehl 800
- 1 Gehl 1250
- 1 Gehl 1260
- 1 Gehl 1200
- 1 JD 3940
- 1 JD 3970
- 2 JD 3800

Cornheads and Grassheads for most models

GEORGETOWN HYDRAULICS

Answering Service

610-593-2753 • 8 to 10 A.M