



TRANSPORT WAGON

- Planter
- Drill
- Stalk Shredder
- Custom Made To Your Equipment



DC Welding

643 Hereford Rd.,
Elizabethtown, PA 17022
(717) 361-9400

Tandem Rake Hitch • Crowd Gates

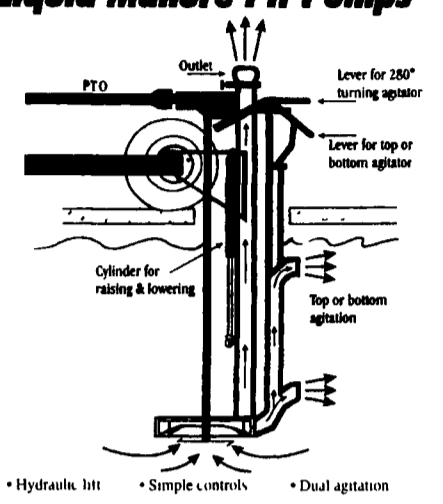
USED TRACTORS

- NH LX 665 Skid Loader, 1,950 Hrs., Nice.....\$14,900
- IH 986, Cab & Air, 4,700 Hrs., Nice.....\$12,900
- IH 1066, Hiniker Cab & Air, New TA, Tires 85%.....\$10,900
- IH 1466, 4WD, Cab.....\$9,500
- (2) IH 1466.....\$8,800
- IH 1066 Black Stripe, Bad TA.....\$8,600

USED EQUIPMENT

- FNH 565 Baler (like new).....\$7,800

Liquid Manure Pit Pumps



- Hydraulic lift
- Simple controls
- Dual agitation

MILLER'S REPAIR
1 Mile North of Bird in Hand
8 Miles East of Lancaster
Ph. 717-656-6109

NEW/USED/RENTAL LIQUID MANURE EQUIPMENT

THIS WEEK'S SPECIAL
Houle 3600 Gal. Spreader w/Disc Incorporators, 23.1x26, 1999 Rental - **\$13,150**

Spreaders

- Houle 6300 Gal. Spreader w/Steering & Brakes, 28Lx26 Tires, 2000 RENTAL..... Call
- Houle 4800 Gal. Spreader 28Lx26, Brakes, Lights, RENTAL..... Call
- Houle 4300 Gal. Spreader , 28Lx26 Tires, Brakes, Lights, 2000 RENTAL.....\$16,100
- Calumet 3750 Gal. Vacuum Tank w/Injectors, 23.1x26 Tires, RENTAL.....\$18,650
- Calumet 2250 Gal. Vacuum Tank 50x20x20 Tires, Good Condition, Used.....\$5,600
- Calumet 1500 Gal. Vacuum Tank, 14.L x 16.1 Tires, NEW.....\$9,050

SPREADER TANKS & PUMPS AVAILABLE FOR RENT

Pumps

- Houle 32 ft. Lagoon Pump, Heavy Duty Drive Line, 2000 RENTAL.....\$7,700
- Houle 42 ft. Lagoon Pump, Heavy Duty Drive Line, 2000 RENTAL.....\$8,275
- Husky 8 ft. Vertical Shaft Pump.....\$2,200

SNOOK'S EQUIPMENT
RD 3, Box 130, Mifflinburg, PA 17844
570-966-2736
Ask For Ernest or Dean



NH 316, 75 Throwing, 1 Owner, RBP



JD 327 Baler w/40 Ejector



1941 Farmall H, rare, spoke wheels, runs exc.




New Farmco 18' Throwing Wagons w/8 Ton Gear \$2,000




NH 316, 70 Hyd. Throwing, Super Sharp Paint




JD 4020, WFE, cab, super nice



NH 630 Round Baler, Like New



NH 311, 70 Hyd. Throwing, RBP, Super Nice



Woods MD184, 7' Rotary, Like New

QUALITY HAY EQUIPMENT

One of Pa's Largest Selections

BALERS

★ RBP - Rebuilt Plunger (new pin, bushings, rollers, slide blocks)

JD 347, 40 ejector, RBP	\$7,500
JD 327, 40 ejector, RBP, sharp	\$5,500
JD 327 w/30 ejector, RBP, ex. SOLD	\$5,500
JD 328, 40 ejector, RBP	\$6,000
JD 24T, chute, field ready	\$1,250
JD 24T, chute, excel	\$1,200
JD 348 hyd tension, 1/4 turn chute RBP, Nice	\$8,000
JD 348 hyd tension, 1/4 turn chute	Coming In
JD 346, 30 ejector	(2) Coming In
JD 336, 30 ejector	(3) Coming In
JD 337, 30 ejector, RBP, nice	\$6,500
JD 30 ejector, complete	\$500
JD 14T, 24T and 336 parts balers	CALL
NH 316 Baler, super sweep, 75 Ejector, sharp	\$7,450
NH 326 baler, 70 hyd thrower, exc	Coming In
NH 316 baler, 70 hyd thrower, super nice	\$6,900
NH 311 baler, 70 hyd thrower, RBP, super nice	\$6,500
NH 276 baler, chute, field ready	\$2,500
NH 276 baler, super sweep, 54 thrower	\$3,200
NH 276 Baler, super sweep, 54 thrower	\$3,000
NH 276 baler, super sweep, 54 thrower	\$2,800
NH 276 baler, super sweep, 54 thrower	\$2,800
NH 320 baler, super sweep, 75 thrower	Coming In
NH 320 baler, super sweep, 70 thrower	Coming In
NH 287, super sweep, hyd tension, hi cap	\$1,800
NH 275 Baler, super sweep, chute, clean	\$1,800
NH 75 Pan Throwing, complete, off of 315	\$600
NH Hydraulic tension unit off of 320	\$400
NH 68, 69, super 69 parts balers	CALL
Case 330, AC 444, IH 46, IH 47 parts balers	CALL

ROUND BALERS

NH 630, 4'x4' bales, like new, new belts	\$8,000
NI 484, 5'x4' bales, clean rust fr Wisc baler	\$6,000

DISCINES

JD 1470 11' comp rebuilt, new rolls new cutterbar	\$9,000
JD 1460 9' ex rolls, sharp paint, our own	\$7,500
Vicon KM321 9 very good rolls ex cond	\$4,750
Vicon KM321, 9' good rolls, v g cond	\$4,200
Kuhn FC300G, 8, 540 or 1000 RPM	\$5,000
Deutz Allis RM80 Discbine	Coming In

HAYBINES

JD 1219, 9' mechanics special	CALL
NH 467, 7' excellent rolls, good paint	\$2,000
IH 1190, 9', good rolls	\$1,500
IH 1190, 9' Good rolls	\$1,500
IH 1490, 12' hydroswing, good rolls	\$2,500
Hesston 1010, 9' hydroswing	\$1,500
IH 990, JD 1209, Ford 550, NH 479, Haybines for Parts	CALL

RAKES & TEDDERS

NH 57 3pt hitch rake	\$1,400
NH 256 rake, vg condition	\$1,700
NH 256 rake, vg condition	\$1,750
NH 56 rake SOLD	\$1,100
NH 157 rotary tedder, brand new	\$1,850
Pequea 910 tedder, PTO, good cond	\$1,250
Pequea rake inverter, near new cond	\$2,500
JD 670	\$1,850
Farmhand, 4 wheel rake, good cond	\$500
Grimm PTO tedder	Coming In
Several other rakes	CALL

MOWERS

Woods HD 315, 15' Batwing, VG condition	\$5,000
Woods MD 184, 7' rotary, 3 ph, like new	\$2,000
NH 451 sickle bar, 9' bar, no wds, v g cond	\$1,500


TRACTORS

JD B Tractor, 1941, raised letter rear, ex. paint, new tires	\$2,500
JD 3010, gas, TFE	Coming In
JD 3020 WFE, DH, recent overhaul	\$8,000
JD 4020 WFE, dual hyd, cab, super nice	\$9,000
JD 4020 WFE, dual hyd, excel cond	\$9,000
JD 4020 Turbo, WFE, dual Hyd	\$9,000
Farmall Super C w/McCormick loader.	\$2,000
Farmall MD NFE, Runs Excel	\$3,000
Farmall H 1941, Spoke Wheels, Exc	\$1,800
Farmall H Rem Hyd Dual Fuel, Exc	\$1,600
Farmall Cub, 1948, sickle bar mower	\$1,900
Farmall A WFE, good paint, runs ex	\$1,800
International Cub, belly mower, runs ex	\$2,700
Farmall H, 1944, excellent rear rubber	\$1,400
Farmall Cub, runs excellent	\$1,800
Ford 9N, good paint & rubber, runs excel	\$2,250

MISCELLANEOUS

Wood Throwing Wagons, NH 8 ton gears, flotation tires, excellent, 6 available	\$1,200
JD 4x16 plow, Excel	\$600
Oliver 3x16, 3 pt, plow excel cond	\$550
Farmco 18' steel side throw wgn, 8 ton, new	\$2,000
Farmco 8 horse feeder, new	\$350
JD 8300 grain drill, 18x7, grass box, exc	\$3,000
Brillion 9' cultipacker, rebuilt new shaft & bearings	\$600

Best Buys in Used Equipment



Case IH 8840 Windrower, w/14' Head, 1994, 417 Hrs., Excellent Condition.....(O)



Case IH 585, 2WD Tractor, 1,900 Hrs., Good Condition.....(O)



Case IH 7240 Magnum Tractor, 1242 Hrs., Very Nice.....(O)



Case IH 1666, 1993, 1,230 Hrs., Very Nice..(O)

TRACTORS

Case IH 7140, MFD, 1,900 Hrs, Very Nice	(O)
IH 5288, Good Condition	(O)
IH 2404	Very Nice (N)
IH 706, Diesel	(N)
IH 504, Gas, Tricycle	(N)
IH 254, 4WD w/L306 Woods Mow	SOLD (N)
IH 235, Hydro	(O)
IH Cub 154 Low Boy	(N)
Farmall H, Nice	(N)
MF 1230, 4WD, Hydro, 320 Hrs.	(N)
MF 1155	(N)
Mitsubishi 372 w/Mower	(N)
Case 1840 Skid Loader	(N)
Case 1845C Skid Steer	Very Nice (O)
Gehl 6625 Skid Loader	(N)
Owatawa 345 Skid Loader w/Buckets, 2,010 Hrs.	(O)
Roustabout Art. Loader	(N)

HAY & FORAGE

NH 850 Round Baler	(N)
IH 430 Baler w/#10 Throwing	(N)
JD 1209 Mower Conditioner	(N)
Case IH 8840 SP Mower Conditioner, 419 Hrs	(O)
IH 3104 Disc Mower	(N)
IH 35 Hyd Drive Hay Rake	(O)
Vicon 4 Star Tedder	(O)
Deutz KH500 Tedder	(N)
Deutz Fahr 6 Star Tedder	(N)
Grim Hay Tedder	(N)
Case IH 4212 Combo-Mulcher	\$6,950 (N)
NH 741 Corn Head	(N)
NH 728 Pickup Head	(N)

COMBINES

IH 2166 w/925 Engine Hrs.	(N)
Case IH 1666, Real Nice	(O)
IH 1460, Nice Condition	(O)
MF 640	(O)
IH 915, 13' Grain Head, 3,800 Hrs.	(O)
IH 93 w/Grain Head	Best Offer (N)

MISCELLANEOUS

Gehl 125 Grinder Mixer	(N)
NH 357 Grinder Mixer	(N)
IH 56 4 Row Corn Planter	(N)
JD 7000 6 Row Planter, Liquid Fert	(O)
Woods FM72 3 Pt. Flail Mower, Very Good	\$1,800 (O)
Woods RM59 3 Pt. Finishing Mower, 540 RPM.	\$525 (O)
Woods 650 3 Pt. Backhoe	SOLD (N)
Gehl 309 Scavenger Spreader	(N)

Eckroth Bros. Farm Eq. Inc.

(N) Eckroth Bros. Farm Eq. Junction of Hwy 443 & 895 New Ringgold, PA 17960 570-943-2131 570-943-7651 (fax)

(O) Eckroth Equipment Co. 4910 Kernsville Rd. Orefield, PA 18069 610-366-2095 610-366-1660 (fax)

Visit Case's Web Site at <http://www.casecorp.com>
Case IH and Case Credit are registered trademarks of Case Corporation

717-235-1766 Financing Available

3 Miles north of Shrewsbury Pa on White Oak Road
Open Saturdays & Sundays 8 a.m.-2 p.m.
Weekdays 8 a.m. - Noon or By Appointment

Call for Directions

Parts Shipped Daily UPS - FedEx - US Mail

Service - Parts - Sales "Eckroth Means Service"

We are Your Local Dealer For: LANDTRIDE, GEHL, H&S, UNVERFERTH, WOODS, MANSBURY, MASSEY FERUGSON