

## Horse Pasture, Manure Management Workshop Set

DAUPHIN (Dauphin Co.) — On May 17 and 24 the Dauphin County Conservation District will conduct a two-part workshop designed to give horse owners the basic knowledge needed to clean up muddy conditions, manage manure more effectively, and get the most from their pastures.

These workshops will be at the East Hanover Township Municipal Building in Shellsville from 7 p.m.-9 p.m. each evening and are open to any interested parties.

Pre-registration is required by contacting the Dauphin County Conservation District at (717) 921-8100 by Wednesday, May 10.

If horses are part of your life, you've probably spent some time sloshing around in mud, trying to catch the coffee colored horse, who use to be gray, chestnut, or palomi-

no, or straining to move wheelbarrow loads of manure, or searching for one firm patch in the pasture to spread the evening's hay.

As you slip slide around in the mud, you may be asking yourself, "So what part of this is fun? The mucky paddock, the filthy horses, the exhausting effort, the wasted feed?"

Mud harbors bacteria and fungal organisms that can contribute to diseases such as abscesses, scratches, rain scald, and thrush. It is also a breeding ground for insects, who are at least an annoyance, and at worst promoters of allergic reactions and spreaders of disease.

When horses are fed from muddy ground they are likely to ingest dirt or sand particles along with their hay, making the setting for dangerous episodes of colic. Horses and

people alike are at risk of slips and injuries on mud slick footing around the barn.

Not only can these soggy conditions be an inconvenience and cause serious health risk to your horse, but muddy horse keeping areas can also take serious environmental toll through runoff into surface water. The sediment and manure nutrients can negatively affect the fish and aquatic wildlife in streams, ponds, and lakes. The organic wastes can also leach into the groundwater, potentially contaminating the well water that you and your animals drink.

Horses and wet weather slop need not be synonymous. You can firm up the footing around your stable and in your paddocks and pastures, and in doing so, not only improve your horses' lives and your

own convenience but also contribute to the environmental health of your community.



### Handle Your Forage Crops With Equipment Built For The Job.

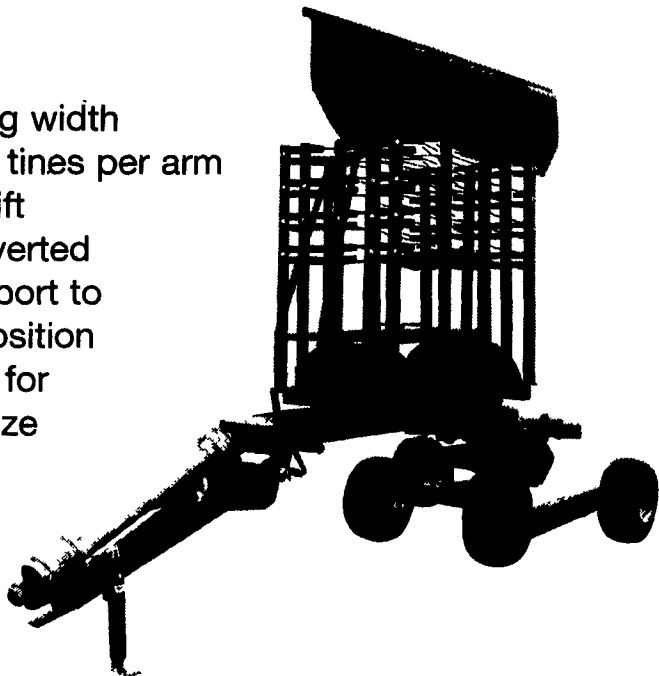
WHEN IT  
HAY... SAY  
PEQUEA!

#### Model HR10 Rotary Rake



#### Features:

- 10'4" raking width
- 11 arms, 4 tines per arm
- Hydraulic lift
- Easily converted from transport to working position
- Adjustable for windrow size



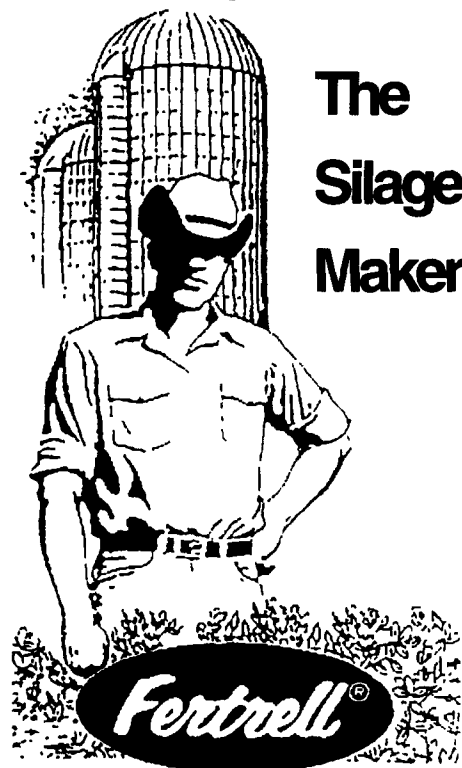
Pequea Machine, Inc. • 3230 E. Gordon Rd. • Gordonville, PA 17529  
717/768-3197 • fax 717/768-8380



#### Call Your Dealer Today!

- Adamstown Equipment  
Adamstown, PA • 717/484-4391
- Chambersburg Farm Service  
Chambersburg, PA • 717/264-3533
- Charles S. Snyder, Inc.  
Tamaqua, PA • 717/386-5945
- C.H. Rinehimer  
Berwick, PA • 717/752-7131
- Deer Creek Equipment  
Whiteford, MD • 410/452-5252
- Deerfield Ag & Turf  
Watsonstown, PA • 717/538-3557
- Dunkle & Greib Equipment  
Centre Hall, PA • 814/364-9109
- Eckroth Bros. Farm Equipment  
New Ringgold, PA • 717/943-2131
- Elder Sales & Service  
Stoneboro, PA • 412/376-3390
- Heflin Sales & Service  
Woodsboro, MD • 301/898-3233
- Henry Horning  
Litz, PA • 717/626-5033
- Hetricks Farm Equipment  
New Bethlehem, PA • 814/275-3507
- Hines Equipment  
Cresson, PA • 717/886-4183
- Hooper, Inc.  
McAllisterville, PA • 717/463-2191
- Ickes Farm Supply  
Osterburg, PA • 814/276-3422
- Ivan J. Zook  
Belleville, PA • 717/935-2948
- J. David Mullinx  
Dayton, MD • 301/489-4363
- Kermit Kistler  
Lynport, PA • 610/298-2011
- Knott & Geisbert, Inc.  
Frederick, MD • 301/662-3800
- Longeneckers, Inc.  
Williamsburg, PA • 814/793-3731
- Marshall Machinery  
Honesdale, PA • 717/729-7117
- Meyers Implement, Inc.  
Greencastle, PA • 717/597-2176
- Morris International  
Everett, PA • 814/652-6101
- North East Distributors  
West Clifford, PA • 717/222-9090
- Pikeville Equipment  
Oley, PA • 215/987-6277
- Ralph Kyle  
Mercer, PA • 412/748-4300
- R&W Equipment  
Carlisle, PA • 717/243-2686
- Scheffel Equipment  
Somerset, PA • 814/445-6500
- Stoltzfus Farm Service  
Cochranville, PA • 215/593-2407
- Triple H Equipment  
Peach Bottom, PA • 717/548-3775
- Umbergers of Fontana  
Lebanon, PA • 717/867-5161
- Waltemyers Sales & Service, Inc.  
Red Lion, PA • 717/244-4168
- Zimmerman Farm Service  
Bethel, PA • 717/933-4114

## NUTRI-SIL



The Silage Maker

### Forage Inoculant that Pays for Hay and Silage

A probiotic culture providing the bacteria required to cut hay and silage losses and improve quality.

- Easy to apply
- Reduces nutritional loss
- Helps control heating
- Improves palatability
- Improves digestibility
- Helps eliminate spoilage
- Non-corrosive, nontoxic
- Non-chemical, safe to use



Fertrell Company  
Box 265, Bainbridge, PA 17502