

**St. Louis Feeder Cattle, Hogs**  
Springfield, IL  
Thu Apr 6, 2000  
USDA-IL Market News Service  
Farmers Livestock Marketing Assn. auction at Greenville, IL Wed Apr 5, 2000  
Cattle and calves: 1335 head. Compared to last week, slaughter steers and heifers fully steady. Supply mainly Choice and mixed Select and Choice slaughter steers and heifers. Moderate supply of holstein steers.  
Total Receipts this week: 1424 Last week: 1335 Last year: 1130  
SLAUGHTER STEERS: Choice 2-4 1000-1450 lbs 68.00-71.00, 1500-1600 lbs 64.00-68.00; Yield Grade 2-3 and Fancy 2-4 1175-1450 lbs 71.00-73.00. Select and

Choice 2-3 1000-1475 lbs 65.00-68.00. Select 2-3 1000-1350 lbs 62.00-65.00.  
HOLSTEIN STEERS: Choice 2-3 1275-1700 lbs 62.00-65.00. Select and Choice 2-3 1200-1600 lbs 58.00-62.00; Select 2-3 1075-1475 lbs 53.00-58.00.  
SLAUGHTER HEIFERS: Choice 2-4 950-1375 lbs 68.00-71.00; YG 2-3 and Fancy 2-4 1000-1375 lbs 71.00-73.00; Select and Choice 2-3 850-1250 lbs 65.00-68.00; Select 2-3 875-1250 lbs 62.00-65.00.  
HEIFERETTES: Medium and Large Frame 950-1425 lbs 41.00-52.00.  
FEEDER CATTLE: Compared with last week, feeder steers and heifers fully steady. Overall quality comparable to last weeks level, with several lots of moderately fleshy steers and heifers. Large buyer attendance.  
FEEDER STEERS: Medium and Large

Frame 1: Thin 200-300 lbs 105.00-116.00 300-400 lbs 99.00-110.00, fancy 110.00-117.00 part load 365 lbs fancy at 125.00 400-500 lbs 95.00-105.00, fancy 105.00-110.00, lot 420 lbs 114.00 500-600 lbs 90.00-100.00 600-700 lbs 84.00-92.00 Moderately Fleshy: 300-400 lbs 92.00-99.00 400-500 lbs 88.00-95.00 500-600 lbs 85.00-91.00 600-700 lbs 79.00-86.00 700-800 lbs 74.00-80.00 800-900 lbs 71.00-76.00 Fleshy: 300-500 lbs 85.00-92.00 400-500 lbs 80.00-88.00 500-600 lbs 74.00-82.00 600-700 lbs 66.00-74.00 700-800 lbs 63.00-69.00 800-900 lbs 61.00-67.00 Medium and Large Frame 1-2: 300-400 lbs 76.00-83.00 400-500 lbs 74.00-80.00 500-800 lbs 70.00-76.00 Large Frame 2 Holsteins: 200-300 lbs 87.00-96.00 300-400 lbs 84.00-90.00 1000-1100 lbs 54.00-57.00 FEEDER HEIFERS: Medium

and Large Frame 1: Thin: 200-300 lbs 96.00-110.00 300-400 lbs 90.00-100.00 400-500 lbs 88.00-94.00, fancy 94.00-96.00 500-600 lbs 84.00-90.00 600-700 lbs 77.00-86.00 700-800 lbs 71.00-78.00 Moderately Fleshy: 300-400 lbs 84.00-91.00 400-500 lbs 82.00-88.00 500-600 lbs 77.00-83.00 600-700 lbs 72.00-77.00 700-800 lbs 68.00-73.00 Fleshy: 400-700 lbs 65.00-74.00

Special Bred and Pairs Sale - 450 head Heifer/calf pairs: Large Frame 1-3 yrs old 735.00-835.00/pair

Cow/Calf Pairs: Large Frame 3-6 yrs old 600.00-800.00/pr., fancy 800.00-850.00/pr. Medium to Large Frame 3-6 yrs old 540.00-650.00/pr. Large Frame 6-10 yrs old 550.00-750.00/pr. Several fancy 750.00-870.00/pr. Medium and Large Frame 6-10 yrs old 500-675.00/pr.

Bred Heifers: Large Frame 1-3 yrs old in 1st-3rd stage 510.00-730.00/head.

Bred Cows: Large Frame 3-6 yrs old in 2nd and 3rd stage 550.00-785.00/hd. Medium to Large Frame 3-6 yrs old 350.00-500.00/hd. Large Frame 6-10 yrs old 450.00-630.00/hd. Medium to Large Frame 6-10 yrs old 350.00-500.00/hd.

Breeding Bulls: Large Frame 1-8 yrs old 975-1650 lbs 650.00-800.00/hd. Medium and Large Frame 1-2 yrs old 975-1075 lbs 525.00-650.00/hd.

Slaughter Cows and Bulls: 150 head. Compared to last week both classes 1.00-2.00 higher.

SLAUGHTER COWS: % Lean Weight Price Breakers 75-80 % 850-1200 lbs 36.00-40.00 Boners 80-85 % 850-1200 lbs 38.00-42.00 High Yielding 80-85 % over 1100 lbs 40.00-43.00 Lean 85-90 % 850-1200 lbs 34.00-37.00 85-90 % 750-850 lbs 31.00-34.00 85-90 % under 750 lbs 27.00-31.00

BULLS: Yield Grade 1-2 1000-2100 lbs 44.00-50.00, 2100-2200 lbs 42.00-45.00 Low yield 38.00-40.00. Yield Gr 1 1200-1900 lbs 50.00-52.00.

Demand remains good for bred cows and pairs. Total of 300 cows and bulls sold with 35 percent going to packers. Receipts this week 8,250; last week 9,569; last year 7,402. Supply consisted of 76 percent yearlings over 600 lbs; 20 percent calves and short yearlings under 600 lbs; 4 percent cows and bulls. Heifers comprised 36 percent of feeder and calf supply. Prices follow with weighted average weight and price in parenthesis.

Feeder Steers: Medium and Large 1 few thin 300-400 lbs (350 lbs) 125.50-129.00 (128.29); 400-500 lbs (450 lbs) 106.00-116.50, thin 112.00-120.50 (115.61); 500-550 lbs (533 lbs) 100.00-110.50 (104.45); 550-600 lbs (582 lbs) 94.50-102.00, thin 101.00-105.50 (100.02); 600-700 lbs (650 lbs) 93.00-100.00, fleshy 86.00-92.25 (94.42); 700-800 lbs (750 lbs) 83.00-88.50 (86.45); 800-850 lbs (821 lbs) 80.00-86.00 (82.98); 850-900 lbs (871 lbs) 75.25-82.75 (78.75); 900-950 lbs (926 lbs) 73.25-77.00 (75.36); 950-1000 lbs (973 lbs) 71.50-73.00 (72.14). Holsteins: Large 2 485 lbs 86.00; 525-600 lbs 78.00-79.00; 600-700 lbs 72.00-75.50; 875 lbs 65.50-65.75.

Feeder Heifers: Medium and Large 1 300-400 lbs (350 lbs) 111.00-124.00 (115.31); 400-500 lbs (453 lbs) 97.50-105.00 (101.20), thin 102.00-119.50 (110.73); 500-600 lbs (551) 90.50-99.00 (94.99), thin 95.50-105.50 (99.19), lot fleshy 595 lbs 88.00; 600-625 lbs thin 90.75-94.50; 600-700 lbs (650 lbs) 81.00-89.75 (85.30); 700-750 lbs (724 lbs) 78.00-82.00 (80.26); 750-800 lbs (776 lbs) 75.50-79.75 (77.70); 800-900 lbs (850 lbs) 72.50-76.00 (74.49).

Slaughter Cows: Head %Lean Weight Average Dress High Dress Low Dress \*Brk 28 75-80% 1050-1500 39.00-41.50 40.00-43.00 34.00-36.50 \*Bnr 38 80-85% 900-1500 38.00-41.50 41.50-45.00 36.50-38.00 Lean 32 85-90% 850-1500 37.50-39.25 40.50-43.50 34.00-36.50 Light 5 85-90 725-825 33.50-35.50

\*Brk=Breakers, \*Bnr=Boners  
Slaughter Bulls: Head Weight Average Dress High Dress Low Dress Yield Grade 1-2 36 1400-2475 48.50-52.50 53.00-58.00 45.00-49.00

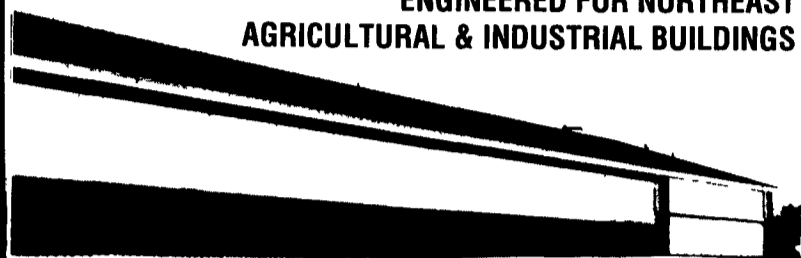
Estimated dressed cost at Oklahoma National Stockyards: Lean 83.65, few light carcasses 79.95; Boners 80.00; Breakers 74.60. Bulls 91.50.

Replacement Cows: Pretested for bangs, pregnancy, and age Medium and Large 1 Age Weight Months Bred Quality Price Heifers 1100-1200 8 months High, blacks 815.00; 4-5 yr old 1050-1175 6-7 months Avg quality 685.00-750.00; 4-6 yr old 1000-1350 2-5 months Avg, blacks 580.00-630.00, 4-6 yr old 800-1200 2-5 months Avg quality 500.00-525.00.

Pairs: Medium and large 1 Age Cow Weight Calf Weight Quality Price 2-3 yr old 700-900 125-175 Avg quality 765.00-840.00; 5-6 yr old 850-1125 100-250 Avg quality 750.00-825.00; 7 yr old 875-1200 100-325 Avg quality 735.00-790.00.

## "Quality Curtain Systems"

ENGINEERED FOR NORTHEAST AGRICULTURAL & INDUSTRIAL BUILDINGS



Featuring...



Automatic Curtain Controllers

Our quality components offer benefits and value unmatched by other systems.

- \* Suspension systems are heavy duty, yet economically priced. All primary & secondary pulleys have lifetime warranty. Galvanized aircraft cable 7x19 used on all suspension lines.
- \* Fabric materials are proven to withstand extreme weather conditions of the northeast. Choices include insulated R3 or R4, un-insulated 13 oz vinyl or un-insulated transparent polyethylene with 10x10 nylon scrim.
- \* Double hem pipe is thick wall EMT 1 02 O D (No coupler req)
- \* Lift line anchors are made of 11 ga galvanized steel
- \* Framed high grade polygrid or galvanized welded wire provides a smooth surface for system to operate with less fabric wear
- \* Conventional System openings available from 3' to 8' height
- \* Roll up divider system openings available up to 16 heights
- \* Fully Automatic electric winch thermostat controlled or top quality two speed manual winch



"CALL TODAY FOR THE DEALER NEAREST YOU"

1-800-216-6029

All components available separately and are stocked in our Auburn, N.Y. warehouse

**EMPIRE AGRI-SYSTEMS, INC.**

315-253-3256 • Grant Ave., Auburn, N.Y. • FAX 315-252-2108

## SPECIAL SALES OF LAMBS and GOATS

For Easter Trade

Tues. Apr. 11  
Tues. Apr. 18  
6:00 PM

WESTMINSTER LIVESTOCK AUCTION  
Westminster, MD  
410-848-9820  
Greek Easter Sale

Tues. Apr. 25  
6:00 PM  
Rabbit, Poultry  
Egg Sale  
Every  
Thursday  
5:00 P.M.

## Oklahoma City Feeder Cattle

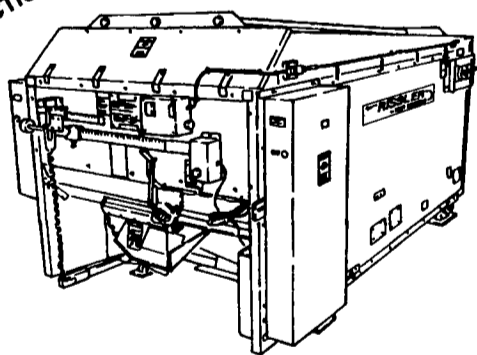
Oklahoma City, OK  
Wed Apr 5, 2000

USDA-OK Dept Ag Market News  
Oklahoma National Stockyards - Weekly Cattle Summary

Compared to last week: Feeder steers steady to 1.00 higher. Feeder heifers steady. Stocker cattle and calves steady. Demand good for all classes. Increased number of new crop fleshy calves included with a 50 percent ratio of thin weaned to fleshy new crops. Bulk supply feeders off wheat. Quality of feeder cattle average to many attractive. Feeders in medium to fleshy conditions, with heifers carrying the most flesh. Weigh-ups mostly average. Slaughter cows and bulls steady to .50 lower. Packer demand moderate as more cows won by packers this week than last week.



PRACTICAL IN DESIGN  
DEPENDABLE IN ACTION



A BETTER MIXER  
FOR A BETTER MIX

## STANDARD FEATURES ON STATIONARY RISSLER MIXERS INCLUDE:

**NEW** HEAVY DUTY STAINLESS STEEL AUGER

- STAINLESS STEEL AUGER TROUGH.
- STAINLESS STEEL FLOOR.
- STAINLESS STEEL PINS IN MIXING CHAIN.
- POLY CLAD SIDES.
- SAFETY SHUT OFF CONTACTOR SWITCH.

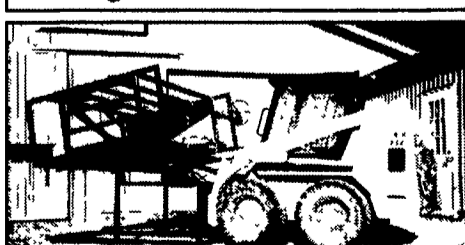
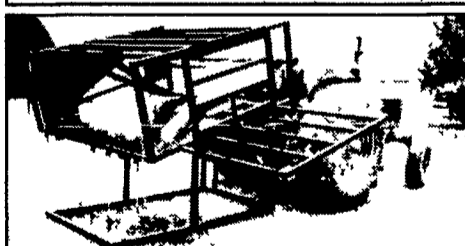
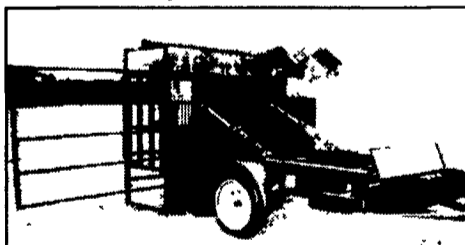
DOES ANY OTHER T.M.R. MIXER OFFER THESE FEATURES?

448 Orchard Road  
Mohnton, PA 19540  
717-484-0551

**← I.H. RISSLER**  
- TMR MIXERS

## HEAVY DUTY HOOF TRIMMING TABLES

Endorsed by the International Hoof Trimming School of Wisconsin



- 12-year building experience in the tables design
- 2 x2 tube frame chute
- chute measures 75 x28 x75 high
- 4" casters for cradle fold-up
- 2 10-inch lift belts
- 3500 lb axle with or without brakes
- two hydraulic cylinders for extra stability
- tool box for D C pump and battery protection
- manure grate to keep work area clean
- fold away side gate
- removable head board
- 45 min video from International Hoof Trimming School of Canada

Delivery Available

FOUR MODELS TO CHOOSE  
1. PORTABLE 2. STATIONARY 3. 3-POINT HITCH  
4. SKID STEER MOUNT

**BERKELMAN'S WELDING**

RR 7, AYLMEER, ONTARIO, CANADA N5H 2R6  
(519) 765-4230