

Estimated Daily Livestock Slaughter

Under Federal Inspection
Wednesday, March 29, 2000

	CATTLE	CALVES	HOGS	SHEEP
Wednesday 2000-02-09 (est)	128,000	5,000	371,000	15,000
Week ago (est)	124,000	5,000	373,000	14,000
Year ago (act)	120,000	5,000	378,000	18,000
Week to date (est)	381,000	16,000	1,102,000	44,000
Same Period Last Week (est)	379,000	15,000	1,121,000	42,000
Same Period Last Year (act)	372,000	14,000	1,135,000	54,000

Middleburg Livestock Auction

Middleburg, Pa.
March 28, 2000

Report Supplied By PDA

CATTLE 446 [PDA] Compared with last week's sale sl steers 1 50 higher, heifers 50 to 1 00 higher

SLAUGHTER STEERS High Choice and Prime 2-4 1245-1440 lbs 73 50-74 75, Choice 2-3 1100-1500 lbs 67 50-73 00, 1525-1640 lbs 64 25-66 75, Select 1-3 61 50-69 25, few Standard 1-2 46 50-59 25

HOLSTEINS High Choice and Prime 2-3 1385-1695 lbs 63 50-65 50, one 66 75, Choice 2-3 1200-1660 lbs 58 00-63 25, Select 1-2 51 00-58 75, Standard 1-2 43 50-47 50

HEIFERS one High Choice and Prime 2-4 1220 lbs 73 50, Choice 2-4 1030-1415 lbs 67 00-72 50, Select 1-3 60 50-69 75, few Standard 1-2 44 50-57 50

COWS few Breakers 75-80% lean early sales 38 75-43 75, Boners 80-85% lean 37 50-42 75, Lean 85-90% lean 31 75-40 75 Shells down to 23 75

BULLS Yield Grade 1 1050-1785 lbs 47 00-52 50, one 60 75, Yield Grade 2 1000-1810 lbs 41 00-46 00

FEEDER CATTLE STEERS Medium and Large 1 350-440 lbs 73 00-95 00, 650-700 Lbs 73 00-76 00, Medium and Large 2 480-690 lbs 55 00-62 50, 800-825 lbs 46 00-59 50, HEIFERS Medium and Large 1 340-585 lbs 79 00-89 00, 695-845 lbs 59 50-62 00, Medium and Large 2 270-465 lbs 68 50-70 00, 515-805 lbs 56 00-65 00, BULLS couple Medium 1 550 & 725 lbs 65 00 & 75 50, Medium and Large 2 480-650 lbs 51 00-76 00, 800-855 lbs 53 00-53 50

CALVES 210 VEALERS Standard and Good 65-90 lbs 25 00-37 00 FARM CALVES Holstein bulls 5 00 higher, Holstein heifers 10 00 to 20 00 higher No 1 Holstein bulls 90-125 lbs 115 00-145 00,

80-90 lbs 100 00-110 00, No 2 80-120 lbs 60 00-115 00, 70-80 lbs 45 00-55 00, No 1 Holstein heifers 80-125 lbs 290 00-345 00, No 2 60-100 lbs 130 00-250 00

Few beef type bulls and heifers 75-90 lbs 120 00

HOGS 167 (03/27 & 28/00) Bulk of supply sold on Monday and reported by the auction Barrows and gilts steady, sows 1 00 to 2 00 lower

BARROWS AND GILTS few 49-54% lean 250-270 lbs 40 00-40 50, 45-50% lean 230-275 lbs 39 00-40 00, 40-45% lean 275-355 lbs 31 50-35 25, few to 39 00

SOWS US 1-3 305-465 lbs 29 00-34 50, 530-635 lbs 30 00-39 00, Medium 275-420 lbs 19 00-21 00

BOARS 305-540 lbs 11 00-13 50, one 230 lbs 21 50

FEEDER PIGS 98 US 1-3 20-45 lbs 22 00-38 00 --- per head

SHEEP 53 NEW CROP LAMBS Choice 45-55 lbs 124 00-145 00, 65-75 lbs 114 00-120 00 WOOLED LAMBS Choice 75-140 lbs 74 00-103 00 SLAUGHTER SHEEP 26 00-39 00

GOATS 46 [All sold by the head] Large Billies and Wethers 60 00-120 00, Medium 50 00-71 00, Large Nannies 48 00-64 00, Medium 35 00-67 00, Large Kids 25 00-50 00, Small 15 00-30 00 --- per head

Leesport Livestock

Leesport, Pa.
March 29, 2000

Report Supplied By PDA

CATTLE 268 [PDA] [Supply included 99 steers and heifers, 108 cows, 12 bulls and 49 feeder cattle] Compared with last week's sale sl steers steady to 1 00 higher, sl cows mostly steady, heifers 1 00 to 2 00 higher, bulls steady to 1 00 lower

SLAUGHTER STEERS Choice 2-3 1125-1480 lbs 68 00-71 75, Select 1-3 56 00-66 00, Standard 1-2 53 00-54 00

HOLSTEINS High Choice and Prime 2-3 1385-1615 lbs 62 75-65 25, Choice 2-3 1280-1680 lbs 58 75-63 25, Select 1-2 56 75-59 75, Standard 1-2 51 00-55 25

HEIFERS High Choice and Prime 2-4 1095-1370 lbs 68 50-72 75, Choice 2-4 1015-1325 lbs 66 00-68 75, Select 1-3 55 50-64 00, Standard 1-2 42 00-57 00

COWS Breakers 75-80% lean 38 75-43 75, Boners 80-85% lean 36 50-41 75, Lean 85-90% 30 50-39 75 Shells down to 24 50

BULLOCKS one Select 1-3 40 00

BULLS Yield Grade 2 1230-2220 lbs 42 25-50 25

FEEDER CATTLE STEERS Large 2 345-355 lbs Holsteins 79 00-80 00, Medium and Large 1 330-525 lbs 87 50-90 00, one Medium 1 920 lbs 72 00, Medium and Large 2 345-450 lbs 77 50-80 00, HEIFERS few Large 2 540-955 lbs Holsteins 57 50-62 50, BULLS few Large 2 700-800 lbs Holsteins 56 00-74 00, couple Medium 2 585 & 605 lbs 65 00 & 70 00

CALVES 161 VEALERS couple Choice 140 & 270 lbs 92 50 & 105 00, Good 100-245 lbs 50 00-75 00, Standard and Good 90-110 lbs 47 50-60 00, Utility 70-100 lbs 30 00-50 00

FARM CALVES Holstein bulls 5 00 to 10 00 higher, Holstein heifers steady No 1 Holstein bulls 90-120 lbs 120 00-145 00, No 2 90-120 lbs 75 00-125 00, No 1 Holstein heifers 90-115 lbs 280 00-295 00, No 2 75-105 lbs 75 00-210 00

Beef type bulls and heifers 80-140 lbs 85 00-170 00

HOGS 33 Barrows and gilts steady BARROWS AND GILTS 45-50% lean 230-255 lbs 41 50-42 00

SOWS US 1-3 355-485 lbs 29 50-35 00, 515-590 lbs 30 50-37 50

BOARS 385-510 lbs 11 00-12 50

FEEDER PIGS 158 US 1-3 21-23 lbs 21 00-22 00, 28-29 lbs 135 00-140 00 --- per cwt

SHEEP 49 Slaughter lambs steady

SLAUGHTER LAMBS Choice 25-45 lbs 130 00-175 00, 50-75 lbs 130 00-147 50, 100-205 lbs 57 50-95 00

SLAUGHTER SHEEP 32 50-46 00, few Yearlings 47 50-50 00

GOATS 2 [All sold by the head] One Medium Billy 75 00, one Medium Nanny 27 50

Carlisle Livestock
Carlisle, Pa.

Report Supplied by Auction
Tuesday, March 28, 2000

SLAUGHTER CATTLE: STEERS, SELECT AND LOW CHOICE 900-1100 LBS. 62.00-68.00, HOLSTEINS CHOICE 61.50-63.25, SELECT AND LOW CHOICE 900-1400 LBS. 51.50-61.00; HEIFERS CHOICE 65.00-68.00; COWS, BREAKERS FEW 40.00-45.00, BONERS 38.50-40.50, LEAN 33.00-40.00, BIG MIDDLE 36.50-39.50, SHELLY 29.00 AND DOWN; BULLS 800-1950 LBS. 42.50-51.00.

FEEDER CATTLE: STEERS 400-600 LBS. 87.00-89.00, HOLSTEINS 600-895 LBS. 60.00-64.00; HEIFERS 350-600 LBS. 64.00-88.00, 650-900 LBS. 57.50-69.50; BULLS MED. AND LARGE #1 470-650 LBS. 70.00-79.00; CALVES RETURNING TO THE FARM HOLSTEIN BULL #1 90-135 LBS. 100.00-135.00, HOLSTEIN HEIFERS #1 90-130 LBS. 300.00-340.00, 60-80 LBS. 160.00-230.00; BEEF X HEIFERS 80-100 LBS. 140.00-145.00.

SWINE: HOGS US#1-3 220-270 LBS. 40.25-41.00, 280-400 LBS. 35.00-39.50; US#2-4 ALL WEIGHTS 32.00-39.00; BOARS OVER 300 LBS. 11.00-14.00; SOWS US#1-3 350-500 LBS. 33.00-37.00, THIN, WEAK, ROUGH TO 32.00; FEEDER PIGS BY THE LB. 16-22 LBS. 15.00-155.00, AS IS 23-27 LBS. 70.00-100.00, 45-100 LBS. 24.00-51.00.

GOATS: BY THE HEAD, LARGE NANNIES 60.00-80.00, FANCY KIDS 65.00-84.00, FLESHY KIDS 40.00-62.50, SMALL, THIN KIDS 17.00-45.00.

LAMBS: CHOICE 35-60 LBS. 150.00-151.00, GOOD AND CHOICE 60-100 LBS. 99.00-110.00.

SHEEP: ALL WEIGHTS FAT 32.00-42.00.

SALE EVERY TUES. 5 P.M. FOR RABBITS, POULTRY AND EGGS; 6:30 P.M. FOR LIVESTOCK, STARTING WITH CALVES; SPECIAL FED CATTLE SALES TUES., APRIL 4; STATE GRADED FEEDER PIG SALES FRIDAY, APRIL 14; SPECIAL FEEDER CATTLE SALE TUES., APRIL 4. PEN LOTS OF CATTLE SOLD IN ORDER RECEIVED; EARLYBIRD PENS CLOSE TUES. 2 P.M. EASTER LAMB AND GOAT SALE FRI., APRIL 14. RECEIVING FOR

RABBITS, POULTRY, ALL TYPES OF FOWL, AND EGGS RECEIVED FROM 7-9 A.M. GOATS, LAMBS AND SHEEP FRIDAY, APRIL 14. RECEIVING 7 A.M.-11:00 A.M. FEEDER PIG RECEIVING 6 A.M.-9:30 A.M. SALE TIME 12:30 P.M.

Frederick Livestock

Frederick, Maryland
Report Supplied by Auction
Monday, March 27, 2000

SLAUGHTER COWS: 109 HEAD, LEAN COWS 1.00 HIGHER; FLESHY COWS 1.00 LOWER.

UTILITY 40.00-44.00; HIGH DRESSING TO 46.00; CANNERS 36.00-41.00; SHELLY 36.00 DOWN.

BULLS: 3 HEAD. YG#2 1295-1565 LBS. 47.75-49.25.

FED STEERS: LOW CHOICE HOLSTEINS 1500-1650 LBS. 56.50-58.50; 1755 LBS. AT 52.75.

FED HEIFERS: LOW CHOICE HOLSTEINS 1100-1375 LBS. 46.75-52.00.

VEAL CALVES: 147 HEAD. CHOICE 150-200 LBS. 80.00-90.00; CULLS 85-115 LBS. 28.00-40.00, 60-80 LBS. 20.00-30.00.

FARM CALVES: MOSTLY STEADY; LIGHTWEIGHTS LOWER. HOLSTEIN BULLS #1 90-120 LBS. 120.00-140.00, 80-90 LBS. 65.00-100.00; #2 90-120 LBS. 75.00-120.00, 80-90 LBS. 40.00-60.00; HOLSTEIN HEIFERS #1 85-120 LBS. 270.00-335.00, 70-85 LBS. 175.00-250.00; BEEF X BULLS STRONG DEMAND 95.00-145.00; BEEF X HEIFERS 115.00-177.00.

BUTCHER HOGS: 20 HEAD. #1 AND 2 220-260 LBS. 41.00-42.00; 1 LOT 205 LBS. AT 39.00.

SOWS: 1 405 LBS. AT 32.00.

BOARS: 1 585 LBS. AT 11.00.

STOCK CATTLE: STEERS 400-500 LBS. 87.00-91.00; 600-700 LBS. TO 79.00; HOLSTEINS 750 LBS. TO 56.50.

HEIFERS: HOLSTEINS 330 LBS. AT 100.00; GUERNSEY 535 LBS. AT 65.00.

BULLS: 1 HOLSTEIN 1000 LBS. AT 57.00.

SHEEP: 100-170 LBS. 37.00-60.00.

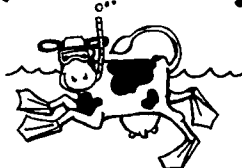
Mahoning Outdoor Furnaces

Cut Heating Costs With An Outdoor Furnace

Standard Model Burns Coal, Wood or Wood By-Products
Roxbury Sales & Service
717-532-5820

MULTI-FUEL MODEL BURNS COAL, GAS, OIL OR WOOD
Will Adapt to any Existing Heat System
Accessories & Installation Available

HYDRO COW FLOTATION



With the Hydro Cow Flotation System you can float a down cow back onto its legs harmlessly without using clamps, belts or chains. The Hydro Cow is a natural way to get a cow back on its legs using only warm water.



Hydro Cow Flotation Service is available in Lancaster, York and Chester Counties, and northeastern Maryland

From:

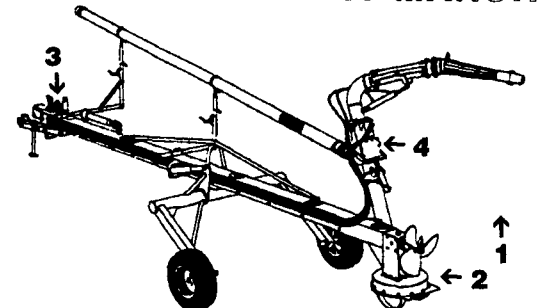
Solanco Veterinary Service
496 Solanco Rd., Quarryville, PA
717-786-1303, 1-800-262-7331

HOULE

TRAIL AGI-POMPE

32' and 42' for Lagoons

GREAT PERFORMANCE IN HOG OR DAIRY MANURE



1-Highly articulated nozzle designed to slice and break the top crust from above the manure level as the propeller homogenises the liquid with the remaining floating chunks.

3-Hydraulic controls can be operated from tractor seat.

Gear box oil bath protected by a greasable 3 seals mechanism on each shaft.

2-24" dia. mixing propeller providing full time agitation up to 21,500 US G.P.M. even when loading a spreader.

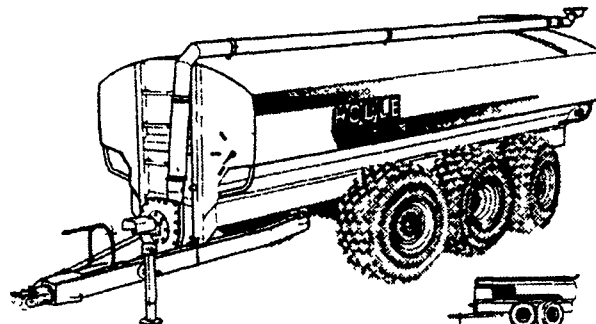
4-Rotative directional valve designed to be operated at low R.P.M. without stopping the P.T.O.

AVAILABLE WITH MULTIPURPOSE OPTION TO ALSO CLIMB INTO CONCRETE PITS UP TO 14' DEEP.

LIQUID MANURE SPREADER

WITH FLOTATION TIRES TO MINIMIZE SOIL COMPACTION

Available with complete line of spreading tool bars and precise flow control to spread manure the ecological way eliminating spray drift and reducing odors. Our tool bars are designed to apply hog or dairy manure on growing fields, between rows of corn or on harvested fields.



4-6 OR 8 WHEEL SPREADERS WITH POWER STEERING 3850 TO 9500 US GAL.

SPREADERS WITH SINGLE AXLE OR TANDEM-2350 TO 6000 US GAL.

- "V" shape bottom for more complete clean out.
- Standard exterior finish: epoxy primer and urethane paint.
- Low profile tank for maximum visibility and stability.

UNITS IN STOCK FOR SALE OR RENT

Cedar Crest Equipment



339 King Street
Myerstown, PA 17067

(717) 866-1888 • 1-800-646-6601

Parts Outlet
RD 2 Box 271
East Earl, PA 17519
(717) 354-0584