

PRODUCE ♦ MARKETS

Phila. Vegetable

PHILADELPHIA Terminal
Prices as of 08-MAR-2000

Provided by: Fruit and Vegetable Market News, Federal-State Market News Service, USDA.

Phone: (215) 597-4536 Fax: (215) 336-0355

PARTLY CLOUDY 46-64
NA-FV020

VEGETABLES ---ARTICHOKES: MARKET ABOUT STEADY ctns AZ Globe Thomless 12s 9.00 24s ord cond 2.00-3.00 30s 8.00 CA Globe Thomless 24s 9.00 30s 9.00 36s 9.00 ---**ASPARAGUS:** MARKET ABOUT STEADY pyr ctns/crts 28 lb bchd CA Green lge 32.00-33.00 std 34.00-35.00 mostly 35.00 sml 30.00 MX Green lge 30.00 11 lb ctns/crts bchd MX Green lge 12.00 ---**BEANS:** MARKET ABOUT STEADY buctns/crts FL Round Green Type 15.00-16.00 Handpicked 16.00-18.00 mostly 18.00 ---**BEETS:** MARKET ABOUT STEADY ctns bchd MX 12s 8.50 TX 12s 9.00 25 lb flmbgs lse CD med 4.50 NJ med 4.00-5.00 ---**BROCCOLI:** MARKET ABOUT STEADY ctns AZ bchd 14s 11.00 bchd 18s 12.00 CA bchd 14s 9.00-12.00 mostly 10.00-12.00 few 13.00 ord cond 4.00 20 lb ctns lse CA Crown Cut 14.00 ---**BRUSSELS SPROUTS:** 25 lb ctns MX med 12.00 ---**CABBAGE:** MARKET ABOUT STEADY 1 3/4 bucrts & 50 lb ctns CD Round Green Type med fr cond 4.00-5.00 FL Round Green Type med 7.00-7.50 mostly 7.00 Red Type med 9.00-11.00 mostly 10.00-11.00 TX Round Green Type med 7.00-7.50 50 lb sks CD Round Green Type lge 5.00-5.50 NY Round Green Type lge 5.00 Red Type med 8.00 1 3/4 bucrts & 40 lb ctns FL Savoy Type med 11.00 ---**CARROTS:** MARKET CA JBO HIGHER, OTHERS ABOUT STEADY. sks 48 1-lb flmbgs CA Topped med-lge 10.00-12.50 mostly 10.00-12.00 some 13.00 sks 24 2-lb flmbgs CA Topped med-lge 12.50 FL Topped med-lge 7.50 sks 10 5-lb flmbgs CA Topped med-lge 10.00-12.50 FL Topped med-lge 7.00 50 lb sks lse CA Topped jbo 12.00-12.50 mostly 12.00 CD CDOne Topped jbo 8.00-8.50

FL Topped jbo 9.00 TX Topped jbo 9.00 ctns 24 1-lb flmbgs CA Baby Peeled 17.00 ctns 20 1-lb flmbgs CA Baby Peeled 13.00-14.00 ctns 12 2-lb flmbgs CA Baby Peeled 17.00 CTNS 4 5-LB FLMB 14.00 ---**CAULIFLOWER:** MARKET LOWER ctns flmwrpd AZ 12s 16.00 9s 15.00 CA 12s 13.00 ---**CELERY:** MARKET ABOUT STEADY ctns CA 1 1/2 dz 12.00 2 dz 10.00-13.00 mostly 10.00-12.00 one label 14.00 2 1/2 dz 12.00-13.00 mostly 12.00 one label 14.00 flmbs 30s 14.00-16.00 FL 1 1/2 dz 8.50 2 dz 9.00 2 1/2 dz 9.00-10.00 TX 2 dz 12.00 2 1/2 dz 12.00 ---**CHINESE CABBAGE:** MARKET HIGHER celcrts FL 9.00-10.00 ---**CORN-SWEET:** MARKET LOWER wbcrt FL Yellow 4 1/2-5 dz 9.00-12.00 mostly 10.00 White 4 1/2-5 dz 10.00-12.00 mostly 11.00 ---**CUCUMBERS:** WAXED 1 1/9 bucrts GU med fr qual 18.00-20.00 MX med 22.00-24.00 mostly 24.00 fr qual 12.00-14.00 some hias 18.00 ord qual 10.00 sml fr qual 13.00 lge 15.00 ctns flmwrpd CD CDOne Long Seedless Greenhouse med 7.00 ---**EGGPLANT:** MARKET ABOUT STEADY 1 1/9 bucrts wrpd FL med 10.00 fr cond 6.00-8.00 fr qual 9.00 ctns/crts MX 16s 12.00 18s 12.00 fr cond 8.00 24s 10.00-12.00 ctns NL 1 lyr 25s 16.00 1/2 & 5/9 bucrts FL Italian 15.00 ---**ENDIVE:** MARKET SLIGHTLY HIGHER 1 1/9 bucrts/crts FL 8.00-9.00 mostly 9.00 ---**ESCAROLE:** MARKET SLIGHTLY HIGHER 1 1/9 bucrts/crts FL 8.00-9.00 mostly 9.00 ---**GARLIC:** MARKET STEADY 30 lb ctns CL BOAT White super col 24.00-25.50 super jbo 21.00 #8 fr qual 17.00 #9 fr qual 21.00 #12 fr qual 28.00 22 lb ctns AG BOAT White #5 10.00-11.00 #6 11.00-13.00 #7 13.00-16.00 ---**GREENS:** MARKET ABOUT STEADY ctns bchd AZ Kale 24s 9.00 CA Kale 24s 9.00 poor cond 2.00 Swiss Chard 12s 11.00 Red 12s 11.00 GA Collard 24s 7.00 Kale 24s 7.00 TX Collard 24s 8.00 Kohlrabi 12s 10.00 Red 12s 10.00 Swiss Chard 12s 10.00 Red 12s 10.00 ctns bchd NC Collard 6.50-7.00 mostly 7.00 Kale 7.00-8.00 Mustard 8.00 Turnip Tops 8.00 Rape 8.00 ctns lse CA Kale Flowering 24s 12.00 20 lb ctns CA Broccoli Rabe 18.00 ---**LETTUCE-ICEBERG:**

MARKET HIGHER ctns AZ 24s 12.00-14.00 mostly 12.00-13.00 one label 15.00 fr cond 8.00-11.00 Wrapped 24s 13.00-16.00 mostly 13.00-14.00 some 11.00-12.00 few 17.00 CA 24s 12.00-13.00 Wrapped 24s 15.00 FL 24s 10.00 ---**LETTUCE-OTHER:** MARKET HIGHER ctns AZ Boston 24s 10.00 Green Leaf 24s 9.00-10.50 mostly 9.00 Red Leaf 24s 9.00-10.00 mostly 10.00 one label 11.00 CA Boston 24s 10.00 Green Leaf 24s 10.00 Red Leaf 24s 10.00 FL Boston 24s 7.00-7.50 Bibb 24s 7.00-7.50 3 lb ctns CA Mescalim Mix 6.50-7.00 mostly 6.50 ---**LETTUCE-ROMAINE:** MARKET FL LOWER, OTHERS HIGHER. ctns AZ 24s 11.00-12.00 some 12.50 CA 24s 12.00 FL 24s 8.50-9.00 ctns 12 3-count pkgs AZ Hearts 14.00 1.3 bucrts AZ 24s 14.00-15.00 ---**MUSHROOMS:** MARKET STEADY 10 lb ctns PA lge 12.00 med-lge 12.00 med 9.00-9.50 mostly 9.00 4 qt bkts PA med-lge 5.00-5.50 mostly 5.00 sml-med 4.00-4.50 mostly 4.00 5 lb ctns PA Oyster 16.00-18.00 mostly 16.00 some 14.00 Portobellas 6.00-8.00 mostly 7.00 3 lb ctns PA Shiitake 12.00-12.50 mostly 12.00 fair qual 8.00-10.00 ctns 12 8-oz trays flmwrpd PA 8.00-10.00 mostly 9.00 ctns 10 12-oz trays flmwrpd PA 9.00-9.50 mostly 9.00 ctns 10 10-oz trays flmwrpd PA 8.00-8.50 mostly 8.00 ---**OKRA:** OFFERINGS INSUFFICIENT TO QUOTE ---**ONIONS GREEN:** MARKET LOWER ctns bchd CA 48s 8.00-9.00 MX 48s 6.00-8.00 mostly 8.00 TX Bulb Type 24s 12.00 AZ Leeks 12s 10.00 CA Leeks 12s 10.00-11.00 mostly 11.00 MX Leeks 12s 10.00 TX Leeks 12s 10.00-12.00 mostly 11.00 ---**PARSLEY:** MARKET ABOUT STEADY ctns bchd CA Curly 60s 9.50 Plain 60s 10.00 TX Curly 60s 10.00 Plain 60s 10.00 Root 12s 13.00 ctns/crts bchd FL Curly 60s 9.00 Plain 60s

9.00 ---**PARSNIPS:** ctns 12 1-lb flmbgs CD 9.00 20 lb flmbgs lse CD 12.00 ---**PEAS GREEN:** MARKET ABOUT STEADY 10 lb ctns GU Snow Peas Decalaxed 9.00-11.00 mostly 9.00-10.00 Sugar Snap Peas Decalaxed 10.00-12.00 mostly 10.00 ---**PEAS OTHER:** OFFERINGS NONE ---**PEPPERS:** MARKET ABOUT STEADY 1 1/9 bucrts/crts FL Bell Type Green exlge 10.00-12.00 lge 8.00-10.00 mostly 9.00 some 7.00 fr qual 5.00-6.00 med 6.00-8.00 sml fr qual 3.00-4.00 Mxd Red And Green lge 8.00 med 5.00-7.00 mostly 6.00 Yellow exlge 22.00-24.00 MX Bell Type Red lge fr qual 12.00-14.00 15 lb ctns MX Bell Type Red lge 8.00-9.00 mostly 8.00 few 10.00 one label 12.00-14.00 5 kg ctns SP Bell Type Red 80-100mm 24.00 Yellow 90-110mm 23.00 ---**PEPPERS OTHER:** 1/2 bucrts FL Jalapeno 12.00-14.00 1 1/9 bucrts/crts FL Long Hot 18.00-20.00 Cubanelles exlge 18.00 ---**RADISHES:** MARKET ABOUT STEADY ctns tpd 30 6-oz flmbgs FL Red 5.00 ctns tpd 14 1-lb flmbgs FL Red 5.50-6.00 ctns bchd MX Red 24s 7.00 ---**RHUBARB:** OFFERINGS INSUFFICIENT TO QUOTE ---**RUTABAGAS:** WAXED 50 lb ctns CD CDOne med 7.00-8.00 ---**SPINACH:** MARKET ABOUT STEADY ctns bchd CA Flat 24s 11.00 MX Flat 24s 8.00 1 2/5 bucrts bchd CA Flat 24s 11.00 ctns 4 2-1/2-lb flmbgs CA Flat 15.00 ctns TX Savoy 10.00 ---**SQUASH:** MARKET HIGHER 1/2 & 5/9 bucrts/crts FL Zucchini sml-med 22.00 fr cond 13.00 med 18.00 Yellow Straightneck sml-med 12.00 med 10.00 4/7 bucrts MX Zucchini sml-med 18.00-20.00 some 15.00 med 18.00 Yellow Straightneck sml-med 12.00 med 10.00 ---**SWEET POTATOES:** 40 lb ctns LA U.S. One Beauregard med 17.50-18.00 NC U.S. One Jewels med 15.50-16.00 fr qual 8.00-9.00 jbo 9.00-10.00 ---**TOMATOES:** MARKET HIGHER 25 lb ctns FL Vine Ripes red 5x6s 9.00 9.00 6x6s 8.00 8.00 85% U.S. One or Better Mature Greens light red-red 5x6s 10.00 few 11.00 red 8.00-8.50 6x6s 9.00-10.00 mostly 9.00 Local Repack 85% U.S. One or Better Mature Greens light red-red 5x6s 13.75 6x6s 13.75 6x7s 13.75 flts 2 lyr MX Vine Ripes Improved Varieties light red-red 4x5s 7.00-8.00 5x5s 7.00-8.00 5 kg ctns on the vine SP Vine Ripes Greenhouse red med 16.00-18.00 ---**TOMATOES, CHERRY:** MARKET LOWER flts 12 1-pt bkts FL light red-red 7.00-8.00 flts 12 1-pt ctns with lids FL Grape Type red 13.00 flts 12 1-pt bkts MX red 7.00 Greenhouse red 10.00 flts 12 1-pt ctns with lids MX Grape Type red 11.00-12.00 ---**TOMATOES, PLUM TYPE:** MARKET HIGHER 25 lb ctns FL red 10.00-12.00 mostly 10.00-11.00 MX light red-red 10.00-12.00 red 8.00 sml 8.00 ---**TURNIPS:** MARKET STEADY 25 lb flmbgs GA Purple Top med 7.00 NC Purple Top med 6.00 ---**VEGETABLES OTHER:** 8 lb ctns GU Radiochio 12s 12.00



Smoker & Company

CERTIFIED PUBLIC ACCOUNTANTS AND BUSINESS DEVELOPMENT ADVISORS
"Your local source for convenient, professional tax preparation"

- Now accepting new clients for business & 1040 preparation
- Walk-in's welcome at our Leola office
- Work-site interviews available for business owners & employees
- Other Services...
 - Business Development
 - Human Resource Advisory
 - Technology



49 E. Main Street, Leola, PA 17540
717-656-7544 - 717-665-5979
24 S. Main Street, Manheim, PA 17545

PENN LEAF TOBACCO CO.

FARMERS! Do you have tobacco in your barn that you are tired of looking at? Are you tired of worrying about marketing it? If so, contact us for details about processing your crops - old and new.

Penn Leaf Tobacco Co.

"Your Local Tobacco Co."

661 Vintage Road, Christiana, PA 17509

Call before delivery.

610-593-6729

Best time to call - 8 a.m. - 10 a.m.

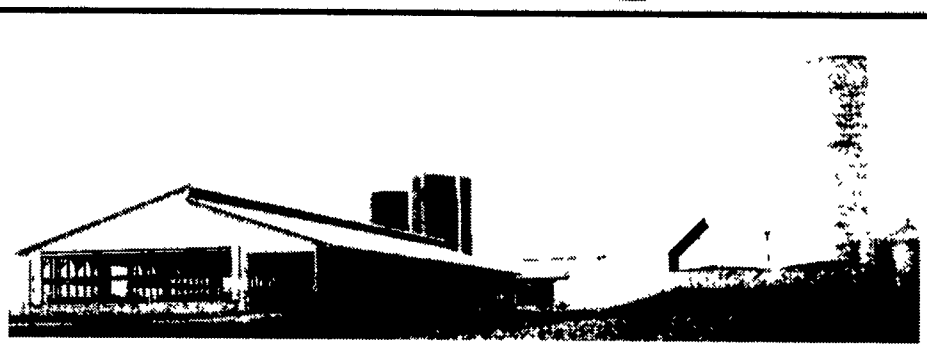
KEYSTONE CONCRETE PRODUCTS INC

477 East Farmersville Rd.
New Holland, PA 17557

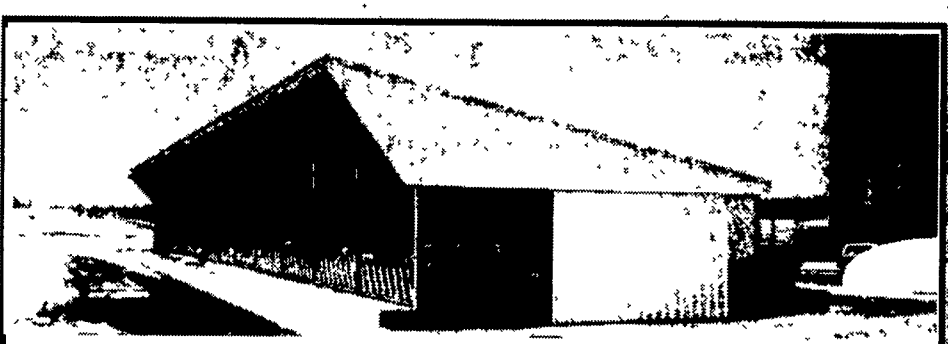
(717) 355-2361



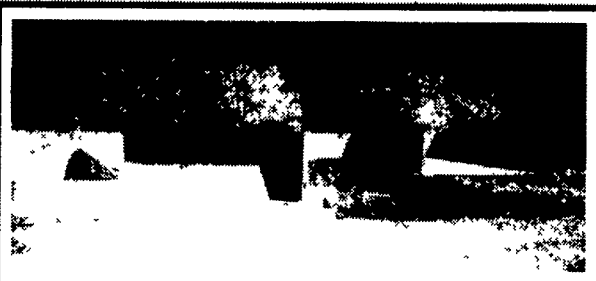
Concrete Slatted Free Stall Barn



Slatted Beef Barn



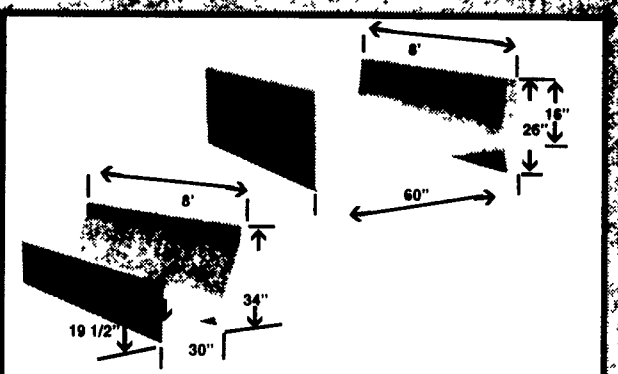
Slatted Heifer Barn



Precast Concrete Bunker Silos or commodity buildings built to suit your needs. Bunkers available in 8 Ft. or 12 Ft. High.



Slatted Free Stall Barn



Concrete Feed Bunks