

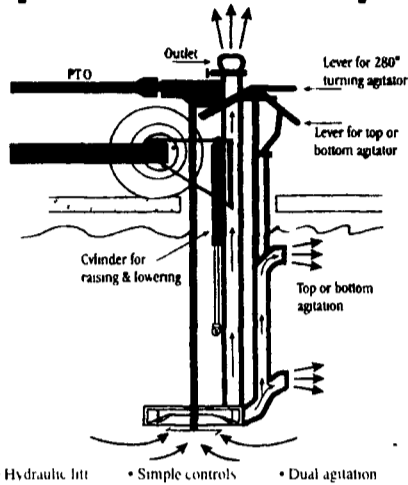
**USED TRACTORS**

- IH 1086, 1980 Model, 4900 Hrs. .... \$12,900
- IH 986, Cab & Air, 4,700 Hrs., Nice ..... \$12,900
- IH 1066, Hiniker Cab & Air, New TA, Tires 85%..... \$10,900
- Massey 275, 8 sp..... \$7,900
- (2) IH 1466..... \$8,800
- IH 1066 Black Stripe, Bad TA..... \$8,600

**USED EQUIPMENT**

- Gehl 1540 Silage Blower..... \$1,450
- Gehl TR30-38 2R corn head..... \$1,400
- FNH 565 Baler (like new)..... \$7,800

**Liquid Manure Pit Pumps**



• Hydraulic lift • Simple controls • Dual agitation



**MILLER'S REPAIR**  
1 Mile North of Bird in Hand  
8 Miles East of Lancaster  
Ph. 717-656-6109

**TRACTOR SERVICE**

Rebuild Engine  
Transmissions,  
PTO's, Tune Ups  
Zenith & Marvel-Schebler  
Carburetors Rebuilt,  
Injectors Tested,  
Perkins Dry Sleeves Pulled,  
N.H. Skid-Steer Loader

**GLICK ENGINES**  
717-656-4842

208 Forest Hill Rd North of 23



**MASSEY-FERGUSON**  
Where farmers ideas take root  
Mustang 330 Skid Steer  
NH LX 885 Skid Steer  
Pequea Skid Steer Trailer  
Ford 545A tractor loader,  
300 hours  
Gehl CB 400 Harvester  
w/ 2 heads  
Bushhog Rotary Cutter  
NH 499 Haybine  
IH 5100 Grain Drill  
20 Double Disc Grain &  
Fertilizer  
NH 28 Blower  
Woods C80 Rotary Cutter  
Used ATV's  
**COMING IN:**  
NH 853 Net Wrap Baler  
NH 570 Baler w/Thrower



**NEW HOLLAND  
SCHREFFLER  
EQUIPMENT**  
Pitman, PA  
570-648-1120  
570-648-1811

**YINGLINGS EQUIPMENT**

3291 Taneytown Rd., Gettysburg, PA

Complete Rebuilt Short Block for JD 350 Crawler

**PARTS TRACTORS:**

(3) Satoh 650; IH 185; (3) IH 154; Iseki G154;  
Int'l. 404; Oliver 1600; Good 8 and Ford - Running;  
EMR 154; (2) Ford 1700; Side Weights for JD 620  
or 630; JD 70 Diesel - Running

**PARTS FOR: Most Tractors,  
Balers & Haybines, Hay & Combines,  
Kubota & Cub Cadets**

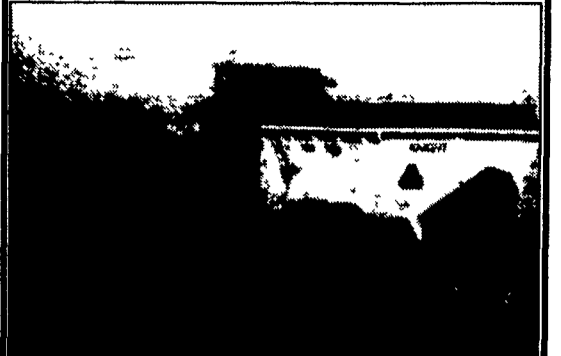
NEW & USED EQUIPMENT  
"Accepting VISA and MasterCard"

**717-359-4848**

- IH 574 Tractor, loader, bucket,  
spear, 6350 hrs..... \$5,000
- IH 830 Forage Harvester..... \$3,500
- IH 3RN head..... \$2,000
- 9' x 20' Diller hay wagon,  
excellent..... \$2,300
- Wooden hay wagon..... \$300
- New Idea 4264 Tedder rake... \$2,500
- Hydraulic bale carrier for wrapped  
bales, Universal skid steer  
Quick tach..... \$900
- NH 28 whirl a feed blower..... \$800
- NH 36' bale elevator..... \$800
- JD WHA 9' offset disk..... \$900
- IH 510 13 disc grain drill..... \$450
- NH 275 baler with thrower..... \$500
- 8' pasture harrow..... \$250
- Round bale wagon, hauls  
11 bales ..... \$500
- 30' Truck body with roll up door,  
white paint..... \$600

**(717) 597-4436**  
Franklin County

**Retire Your Current Spreader**



Get the soil nutrients needed to Grow Your Corn Crop next year. If you have pen pack, sticky feed lot or slurry-type material that needs to be spread fast...and spread evenly, you need the KNIGHT PRO-TWIN SLINGER.

Several Models In Stock Now

- Patented Twin Auger Design
- Steep-Angle Sides
- 15 Forged-Steel, Free-Swinging Hammers
- 1,000 RPM Constant Velocity PTO
- Oil Bath Drive

**KNIGHT** Stop in and see the KNIGHT

IN STOCK: Models 8014 (300 bu.),  
8018 (400 bu.) and 8024 (500 bu.)  
Slinger Spreaders

ALSO Knight Model 1030 Box Spreaders and Knight Models 3030 & 3537 Trailer Mixers In Stock

Sales & Service

**ROVENDALE AG & BARN EQUIP.**

WATSONTOWN, PA 17777

570-538-9564 OR 570-742-4226

1-800-1-180 Watsontown Ext

VAN DALE



**Best Buys In Used Equipment**

**DEMO EQUIPMENT DEALS—CALL**

- Case IH 365 S-tine field cultivator 19'8"
- Case IH 9330 Steiger tractor, 3 pt. PTO, row crop
- Case IH 9350 Steiger tractor, 3 pt. PTO, row crop
- Case IH 2366 combine with 1020, 20' grain head, 2WD, demo
- Case IH 5800 chisel plow, 13'
- Case IH 1830 6R 30" cultivator
- Hardi sprayer 550 SOLD 5' boom
- Kinze 2000 6R 30" corn planter

**USED TRACTORS**

- Case IH CX80 platform 4WD, 135 hrs
- Case IH 5240 2WD, cab
- Farmall 656, hydro, hi clearance, gas
- Farmall hydro 70 hi clearance, gas
- JD 950 w/loader, 4WD, 600 hrs
- Kubota L2900 DT w/LA480 loader, 4WD, 430 hrs
- Kubota M5400, 4WD w/LA1001 Loader

**COMBINES & HEADS**

- IH 863 Corn Head, 6R, 30"
- Case IH 1640 combine, w/1020 grain head, 15', 1850 hrs
- (2) Case IH 1640 combine w/1020 grain head, 17-1/2'
- IH 1420 combine w/15' 820 head
- Gleaner L combine w/6R 30" corn head, 15' grain header

**LAWN & GARDEN**

- Cub Cadet 2185 w/46" mower deck & bagger
- Cub Cadet 1860 w/46" mower deck & bagger
- Cub Cadet 1320 w/46" mower deck & bagger
- JD tiller fits on JD 110, 112 tractor

**IRRIGATION EQUIPMENT**

- Bauer Rain Star 125-390E4, 4"x128' turbine, hyd stabilizer & sled, demo unit
- Bauer Rainstar 125-360T reel traveler turbine drive 4"x1016'
- Hale 60FBI PTO pump

**MISCELLANEOUS**

- MF 345 4x16" plow
- Alamo sickle bar mowers
- IH rake
- Brillion 12' chisel plow, pull behind
- Howard 7 shank V-ripper
- IH 475 Disc harrow, 17 1/2'
- IH 720, 7b/16" onland plow
- Traxle 18 ton deckover trailer
- Cub 1 bot plow for fast hitch
- Case IH 568 seed bed conditioner, 4R
- MF 620 disc harrow, 20'

**Farm-Rite Inc.**

Agricultural Equipment, Supplies & Services  
http://www.farm-rite.com

122 Old Cohansey Rd. Shiloh, NJ 08353  
109 E., Avenue Woodstown, NJ 08098  
1-800-752-6373 1-800-848-5051

Visit us on the Internet at <http://www.casecorp.com>  
Case IH is a registered trademark of Case Corporation



**Brand New R&J X-Fold Packers In Stock - Narrow Transport At Economy Price**



Sizes In Stock: Non Fold 14 Foot  
21 Foot X-Fold • 24 Foot X-Fold

**Get Ready For Spring With a Quality Rotary Hoe**



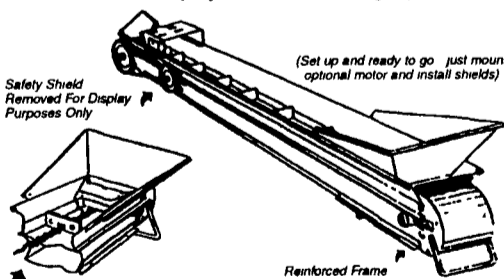
New 15 Foot Yetter Rotary Hoe and 12 Foot Models In Stock.



Purchase a Long Lasting Scraper Today!

**ALUMINUM PORTABLE ELEVATORS**

(Not recommended for permanent installations - unless ordered with 1/4" poly-wear liner for longer pan life.)



**EXCLUSIVE Boot Guard with Agitator**

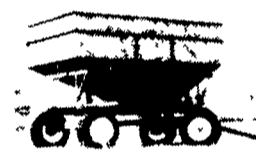
- Heavy-service, belt-type guard attached to sturdy hinge on boot
- Guard rests on flights - movement of flights provides agitating action - keeps material or silage out of boot and moving up the elevator

Includes incline hopper, motor mount, and required belts. Set Up and Ready to Go - Just mount motor (not included) and install shields. Optional polywear liner protects pan - super-slick, self-lubricating liner prevents freeze-down.. reduces chain stretching...increases chain and pan life, cuts noise levels and lowers energy consumption by up to 30%

- Easy to handle - sturdily built
- Light weight - rust resistant - never needs painting
- Enclosed bottom trough for clean chain return and extra strength
- Take-up for chain at idler shaft - easily tightened without affecting drive adjustments
- Dropout hole with gate - helps prevent returning cobs and husks from jamming in boot end of elevator Allows returning cobs and husks to fall out before reaching boot. Gate can be quickly closed when materials other than cob corn are being conveyed
- Plow-contour corded rubber flights designed for maximum efficiency, minimum ride-up

**THINK SPRING! MAKE YOUR PURCHASE DECISIONS AND SEE BINKLEY & HURST NOW!**

**McCurdy - Your Best Buy In Fertilizer & Grain Handling**



Model 190



Model 275



Model 230

Model 325



SEE BINKLEY & HURST NOW!

Check Out Our Approx. 400 Bushel Unit Mounted on a 14 Ton Running Gear. See Binkley & Hurst Today!

**GET READY FOR SPRING WITH YOUR FERTILIZER HANDLING EQUIPMENT FROM BINKLEY & HURST**



**HYDRAULIC TRUCK AUGER**

15-1/2' Folding & Other Sizes or Pull This Gravity Bin With Auger Attachment Behind Your Pickup Truck and Fill Your Hoppers Without Lifting A Bag!

SAVE \$\$ By Buying Your Fertilizer In Bulk By Using This Attachment On Your Truck

8' and 10' In Stock Ask For Amos Sr.



**BINKLEY-HURST BROS. INC.**

133 Rothsville Station Rd. P.O. Box 0395  
Lititz, PA 17543-0395  
(717) 626-4705 1-800-414-4705

Fax 717-626-0996

www.binkleyhurst.com

